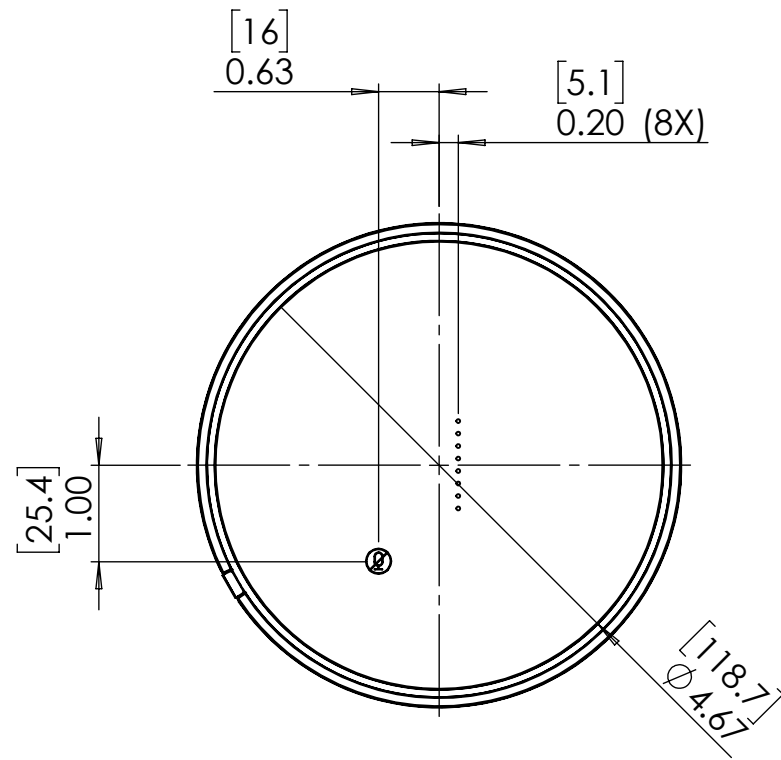
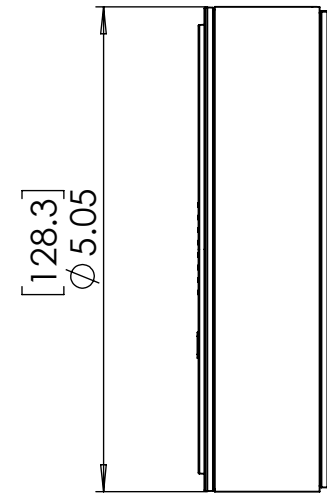


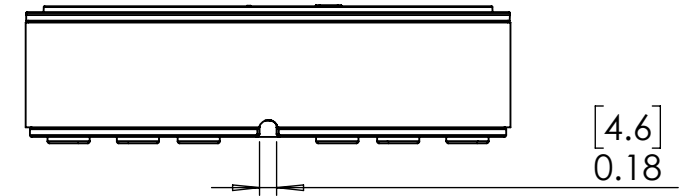
LEFT SIDE VIEW



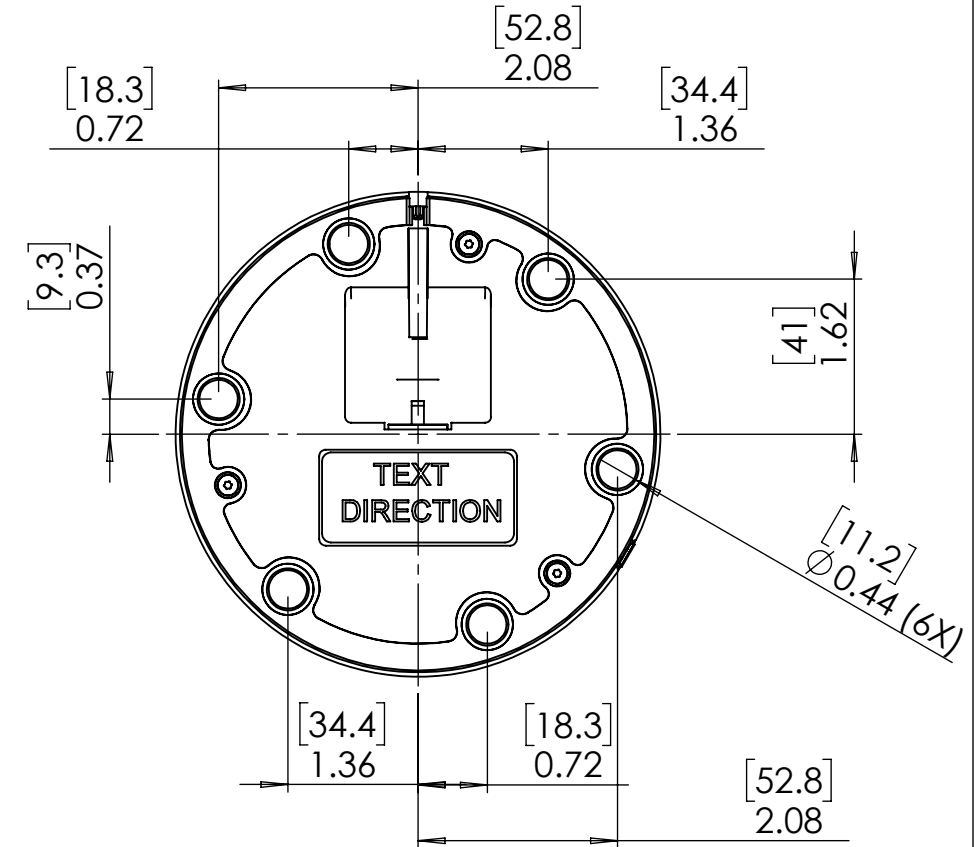
TOP VIEW



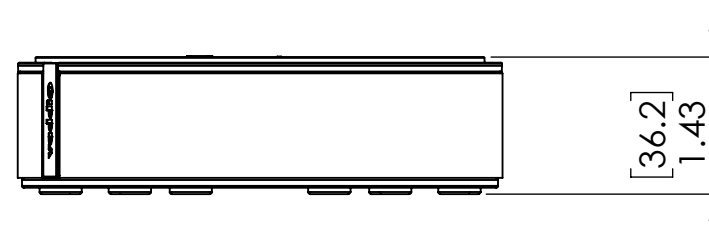
RIGHT SIDE VIEW



BACK VIEW



BOTTOM VIEW



FRONT VIEW

UNLESS OTHERWISE NOTED:
 DIMENSIONS ARE IN INCHES
 DIMENSIONAL LIMITS APPLY AFTER FINISH
 MACHINED SURFACES 125 ✓
 EDGES & FILLETS R .005/.015
 FRACTIONS ± 1/32
 ANGLES ± 1°
 DEC. .XX = ± .015
 .XXX = ± .005
 .XXXX = ± .0002

THIS DRAWING, INCLUDING ALL SUBJECT MATTERS INDICATED THERON OR DERIVED THEREFROM, COMPRISES PROPRIETARY INFORMATION AND IS THE EXPRESS PROPERTY OF VADDIO LLC. EMPLOYMENT, REPRODUCTION OF OR DISSEMINATION OF THIS DRAWING, IN WHOLE OR IN PART, WITHOUT WRITTEN PERMISSION OF VADDIO LLC IS STRICTLY FORBIDDEN.



DRAWN CPM	CHECKED	APPROVED	DATE 2/15/21
MATERIAL (VARIOUS)			SIZE B
FINISH			SCALE N/A

TITLE EasyIP TableMIC D ASSEMBLY	SHEET 1 OF 1	DRAWING NO. 998-85300	REV. A
-------------------------------------	-----------------	--------------------------	-----------