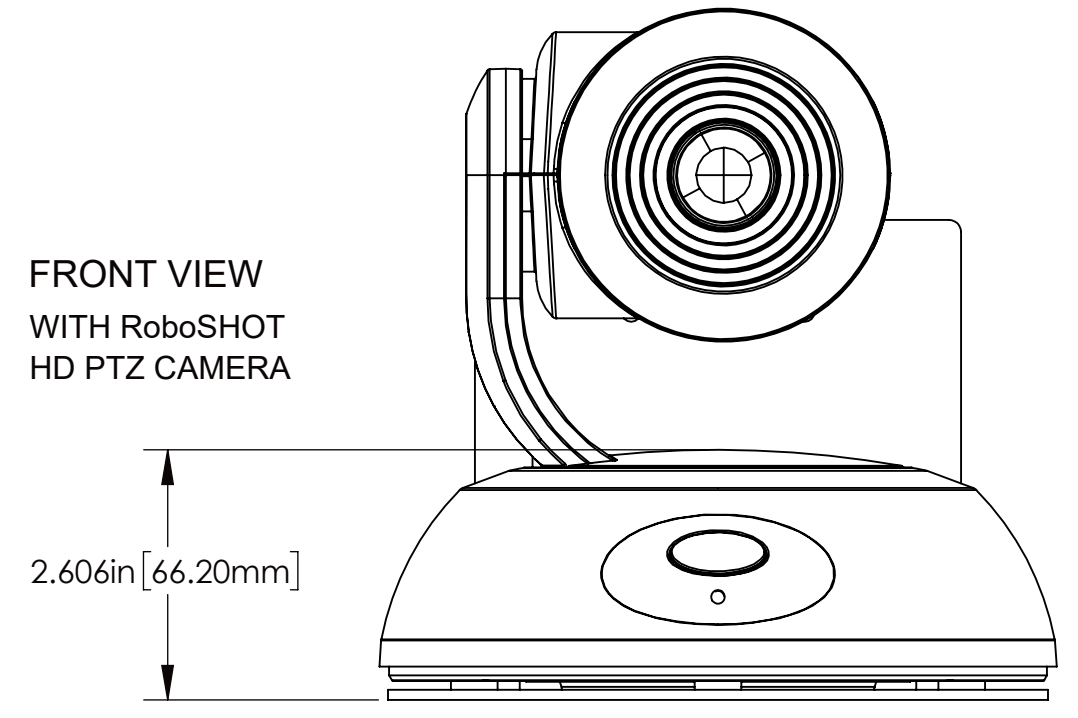
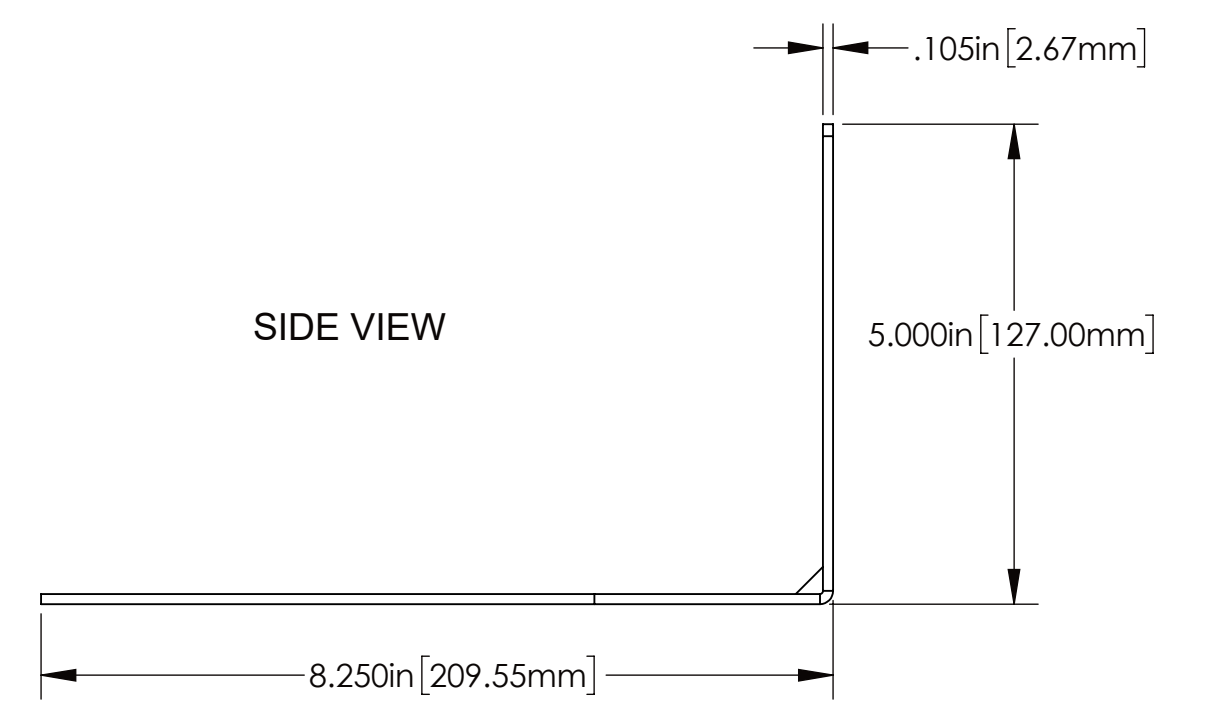
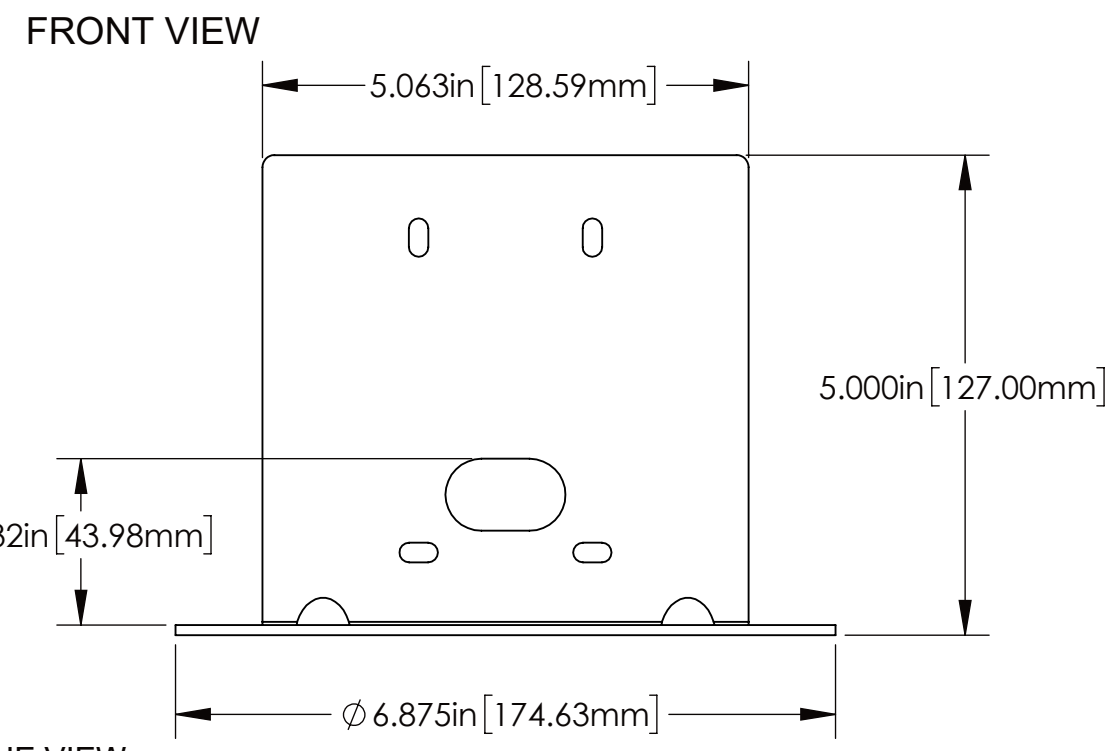
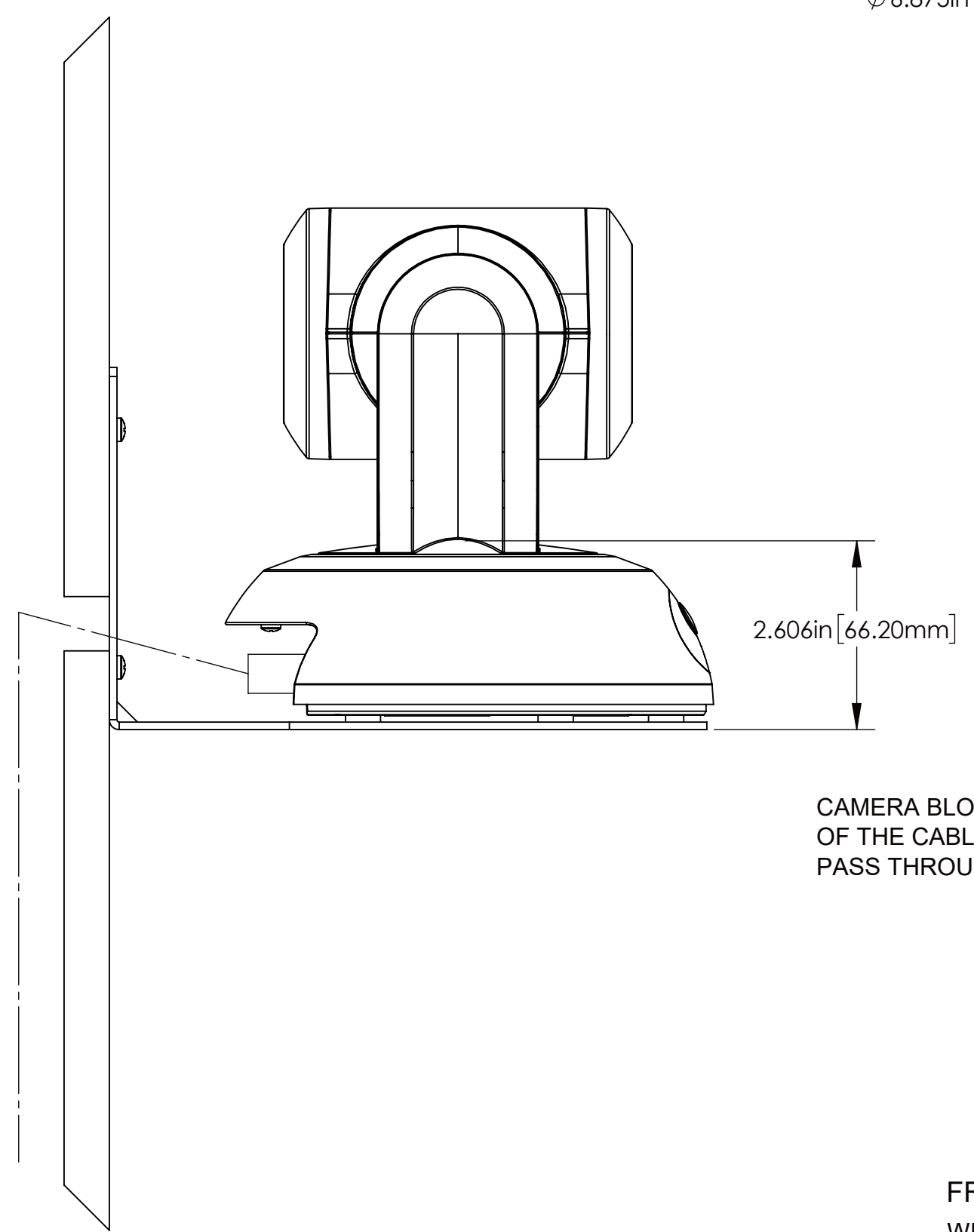


SIDE VIEW  
WITH RoboSHOT  
HD PTZ CAMERA



UNLESS OTHERWISE NOTED: DIMENSIONS ARE IN INCHES DIMENSIONAL LIMITS APPLY AFTER FINISH MACHINED SURFACES 125 EDGES & FILLETS R .005/.015 FRACTIONS ± 1/32 ANGLES ± 1° DEC. XX = ± .015 .XXX = ± .005 .XXXX = ± .0002		THIS DRAWING, INCLUDING ALL SUBJECT MATTERS INDICATED THEREON OR DERIVED THEREFROM, COMPRISES PROPRIETARY INFORMATION AND IS THE EXPRESS PROPERTY OF LEGRAND AV INC. EMPLOYMENT, REPRODUCTION OR DISSEMINATION OF THIS DRAWING, IN WHOLE OR IN PART, WITHOUT WRITTEN PERMISSION OF LEGRAND AV INC IS STRICTLY FORBIDDEN.	
		DRAWN	DATE
		RAR/SR	10/6/14
MATERIAL		SIZE	
12 GA STEEL		C	
FINISH		SCALE	
POWDERCOAT		1:2	
TITLE	SHEET	DRAWING NO.	REV.
THIN PROFILE MOUNT FOR ROBOSHOT CAMERAS	1 OF 1	535-2000-240	B