

Installing the RoboSHOT 30E-M PTZ Camera

This guide contains only the information required to install this product. Refer to the **Complete Manual for the RoboSHOT 30E-M PTZ Camera** for information on configuring and using this product.

Overview

This guide covers the RoboSHOT® 30E-M PTZ camera:

- North America – 999-21132-000 (black), 999-21132-000W (white)
- Europe and UK – 999-21132-001 (black), 999-21132-001W (white)
- Australia and New Zealand – 999-21132-009 (black), 999-21132-009W (white)

What's in this guide

This guide covers:

- Tips for a successful installation
- Instructions for installing the camera mount
- Camera power-on

If you are responsible for configuring the equipment after installing it, please use the Complete Manual. It includes all the information in this guide, plus information on configuring, operating, and troubleshooting the camera.



Features

- 30x zoom – ideal for larger conference rooms, boardrooms, and training rooms
- Certified for Microsoft Teams®
- 1/2.5 type Exmor R™ high-speed, low-noise image sensor
- Smooth, silent direct-drive motors for precise pan and tilt movements at up to 120° per second
- Tri-Synchronous Motion™ simultaneous-arrival pan/tilt/zoom movement between presets
- Universal Video Class (UVC) drivers supported in Windows®, macOS®, and Linux operating systems, compatible with most UC conferencing applications
- Command Line Interface SHell (CLISH) and VISCA control for ease of integration
- Enterprise-class IT administrative capabilities with full web controls for remote management
- Presenter-friendly IR remote control

A quick look at the camera

This section covers the physical features of the camera.

Front of the camera

The camera is available in black or white.



Camera and zoom lens – 30x zoom; ideal for larger rooms.

IR sensor – Receives signals from the IR remote. Make sure there's nothing directly in front of the camera base, and point the remote at the camera.

Status light – The multi-colored LED indicates the camera's current state. This light can be turned off in the administrative web interface.

Note

By default, the camera's status light is active during normal operation; however, it can be configured to remain off when the camera is powered up. The camera may be sending video even if the light is off.

Back of the camera



- **Network PoE+** – RJ-45 connector. Connect to the network and to power via a PoE+ switch or the Power and Data Out port of the mid-span PoE+ power injector. Provides power and network access for camera control.
- **USB 3.0** – USB type B connector. Connect to a computer for use with soft conferencing applications. Provides uncompressed USB 3.0 stream.
- **IP button** – Momentary pushbutton; for displaying IP address and restoring factory defaults.

Connections

This section covers:

- Selecting the location for the camera
- Cabling notes
- Connection diagrams

Don't void your warranty!

Caution

This product is for indoor use. Do not install it outdoors or in a humid environment without the appropriate protective enclosure. Do not allow it to come into contact with any liquid.

Do not install or operate this product if it has been dropped, damaged, or exposed to liquids. If any of these things happen, return it to Vaddio for safety and functional testing.

Before you install the camera

Keep these things in mind when deciding where to place the camera.

- Consider camera viewing angles, lighting conditions, line-of-sight obstructions, and in-wall obstructions where the camera is to be mounted.

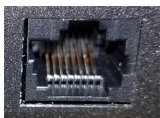
Prepare for a successful installation:

- Be sure you can identify all cables correctly.
- If you make cables for this installation, check them for continuity.
- Talk to the network administrator. If installing the camera in a non-DHCP network (one that does not automatically assign IP addresses), you will need to configure the camera with a static IP address as directed by the network administrator.

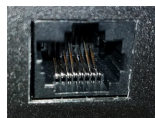
Cabling notes

Caution

Do not use pass-through RJ-45 connectors when making cables for this product. Poorly crimped connectors of this type can cause intermittent connections and degraded signal quality. They can also damage the connectors on the product, which will void your warranty.



Intact – will make reliable contact with cable connector



Damaged – Bent contact fingers will NOT make reliable contact with cable connector

When making cables for this product, use Cat-5e or better cable. We recommend using high-quality connectors and a high-quality crimping tool.

We recommend shielded cabling if the cables will be coiled, run tightly with other cables, or routed near sources of electromagnetic interference such as power lines or fluorescent light fixtures.

Caution

Check your cables. Connecting a cable to the wrong port or using the wrong pin-out can result in equipment damage and will void the warranty.

Pro Tip

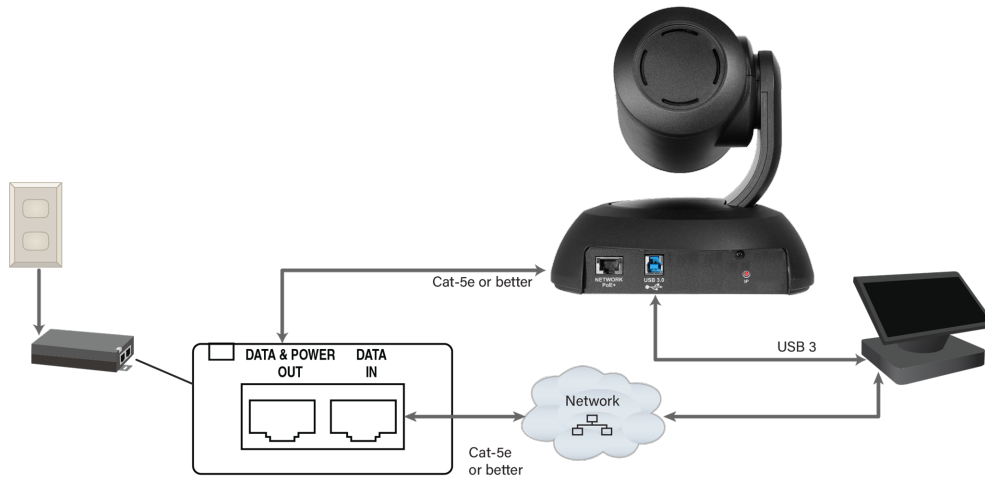
Label all cables at both ends.

Basic connections for conferencing

This diagram shows a basic conferencing configuration.



The PoE+ switch is not required. You can connect the camera to the network and to power using the mid-span power injector included with the camera.



Pre-installation functional check

If you're installing the camera where it's hard to reach, you may want to verify functionality before you install it.

1. Connect the camera.
2. Start a call.
3. Verify that you can select the camera, and that it sends video.

If the camera turns on and sends video, continue with the installation.

If it does not, do these things:

- Make sure all cables are plugged in and fully seated.
- Try a different power outlet.
- Connect the camera using known good cables.

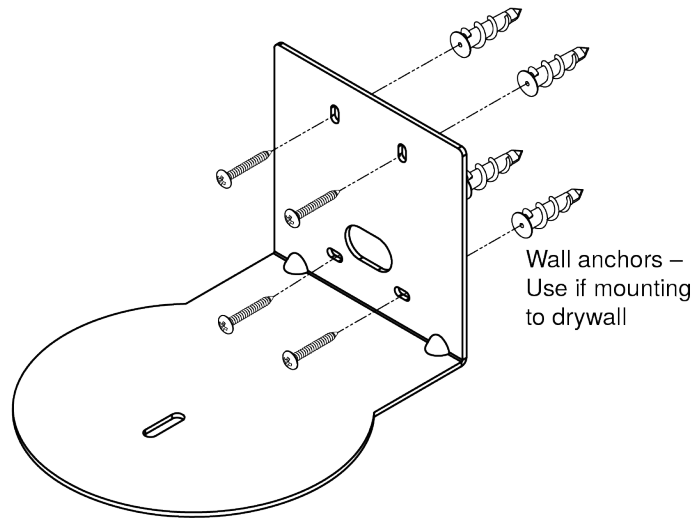
If these steps don't solve the problem, contact Vaddio Technical Support at (+1) 763-971-4400 or 800-572-2011.

Installing the wall mount

The camera is shipped with a wall mount. Other mounting options are available as well. Contact us if you don't have the camera mount you need.

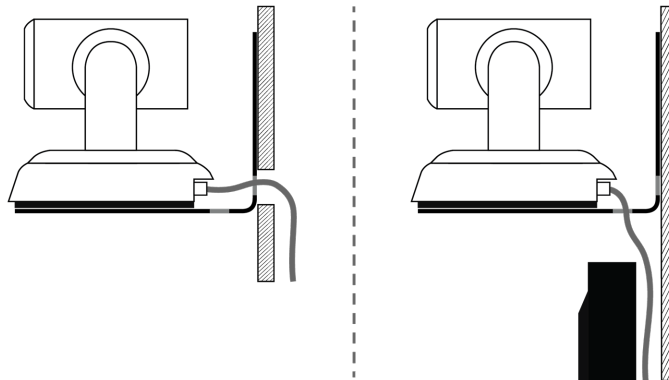
You can install the camera wall mount to a 2-gang wall box or directly to the drywall.

- If you mount it to drywall, use the wall anchors provided with the wall mount.
- If you mount it to a wall box, use the cover plate screws supplied with the wall box.



Installing the camera

1. Route the cables through the opening in the mounting shelf and connect them to the camera.
2. Place the camera on the mount.



3. Attach the camera to the mount using the mounting screw supplied with the camera.

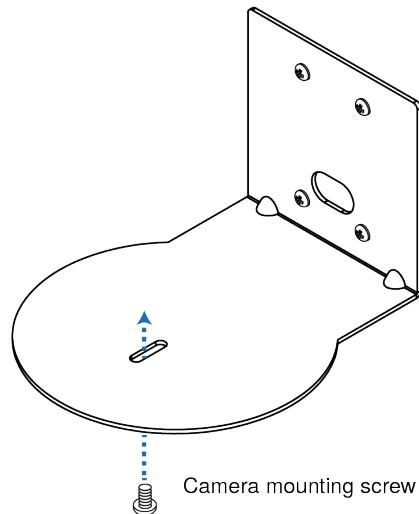


Image for illustration only; not to scale. Camera and mount details may differ.

About ceiling-mounted cameras

If you use an inverted mount, set the camera's Image Flip mode ON for inverted operation. This orients the video image correctly and sets the tilt motors to respond appropriately to tilt up and down commands from the remote, web interface, and connected control devices. This control is available to the administrator on the web interface's System page.

Powering up the camera

Connect camera power. The camera will initialize and move. This will take a few seconds. When an image is available, the camera is ready to accept control information.

Status light

The light in the camera's base indicates its current state.

- Purple – Standby mode or booting
- Yellow – Firmware update is in progress
- White – Camera is active

Caution

Do not remove power or reset the camera while the status light is yellow, showing a firmware update in progress. Interrupting a firmware update can make the camera unusable.

Note

By default, the camera's status light is active during normal operation; however, it can be configured to remain off when the camera is powered up. The camera may be sending video even if the light is off.

IP button

Use the button on the back of the camera to do these things:

- **Display the camera's IP and MAC addresses in the video output:** Press the button momentarily. Press it again to dismiss the information display.
- **Restore factory default settings:** Disconnect the network cable. Then press and hold the IP button while reconnecting the cable. Continue to hold the button for about 10 seconds.

Next steps

The camera is now ready to configure and use. This information is available in the **Complete Manual for the RoboSHOT 30E-M PTZ Camera**.

Vaddio is a brand of Legrand AV Inc. · www.legrandav.com · Phone 800.572.2011 / +1.763.971.4400 · Fax +1.763.971.4464 · Email Europe, Middle East, Africa: av.emea.vaddio.support@legrand.com · All other regions: av.vaddio.techsupport@legrand.com

Vaddio is a registered trademark of Legrand AV Inc. Microsoft and Microsoft Teams are trademarks of the Microsoft group of companies. All other brand names or marks are used for identification purposes and are trademarks of their respective owners. All patents are protected under existing designations. Other patents pending.

©2023 Legrand AV Inc.

A brand of  **legrand**[®]