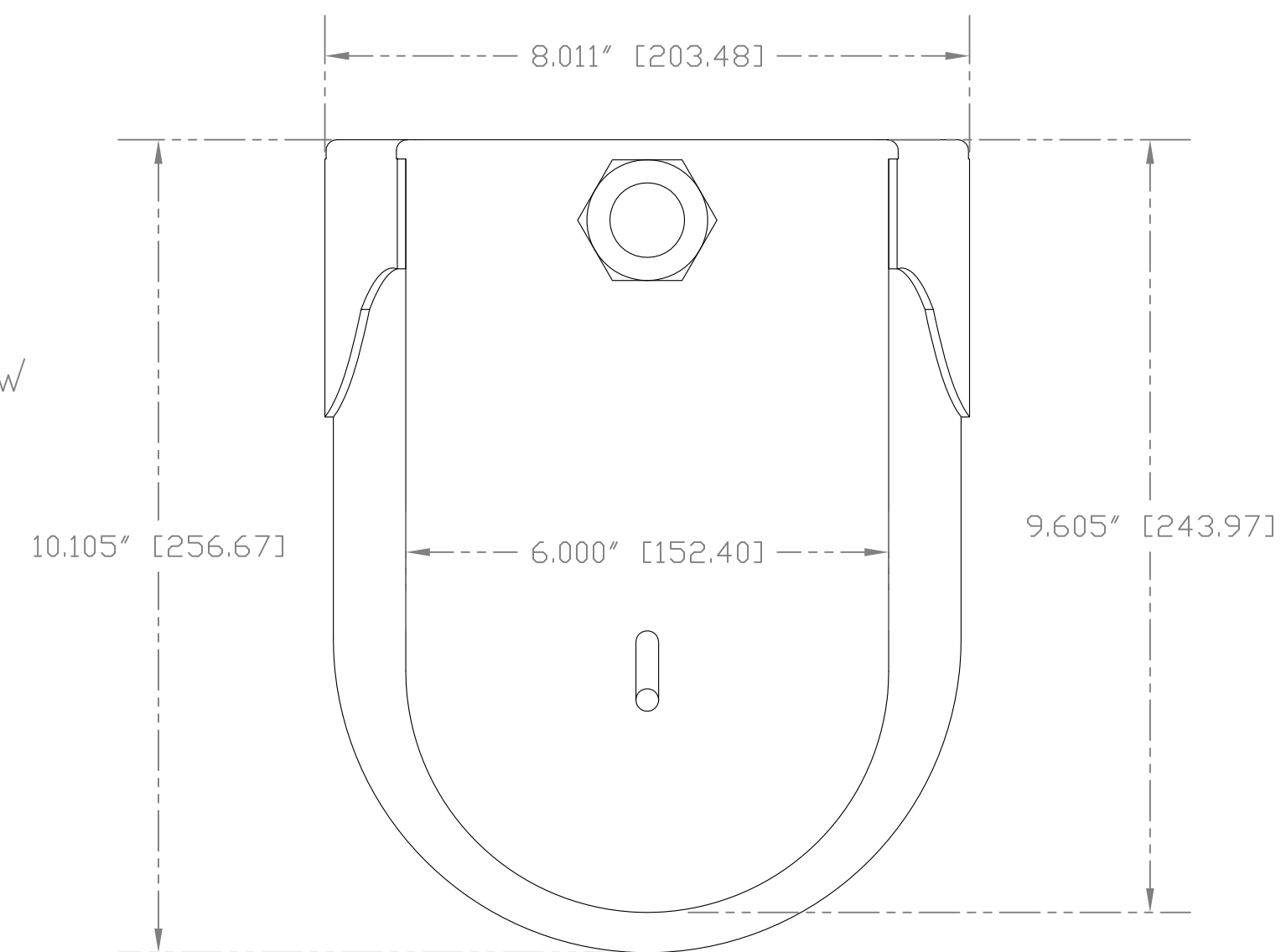
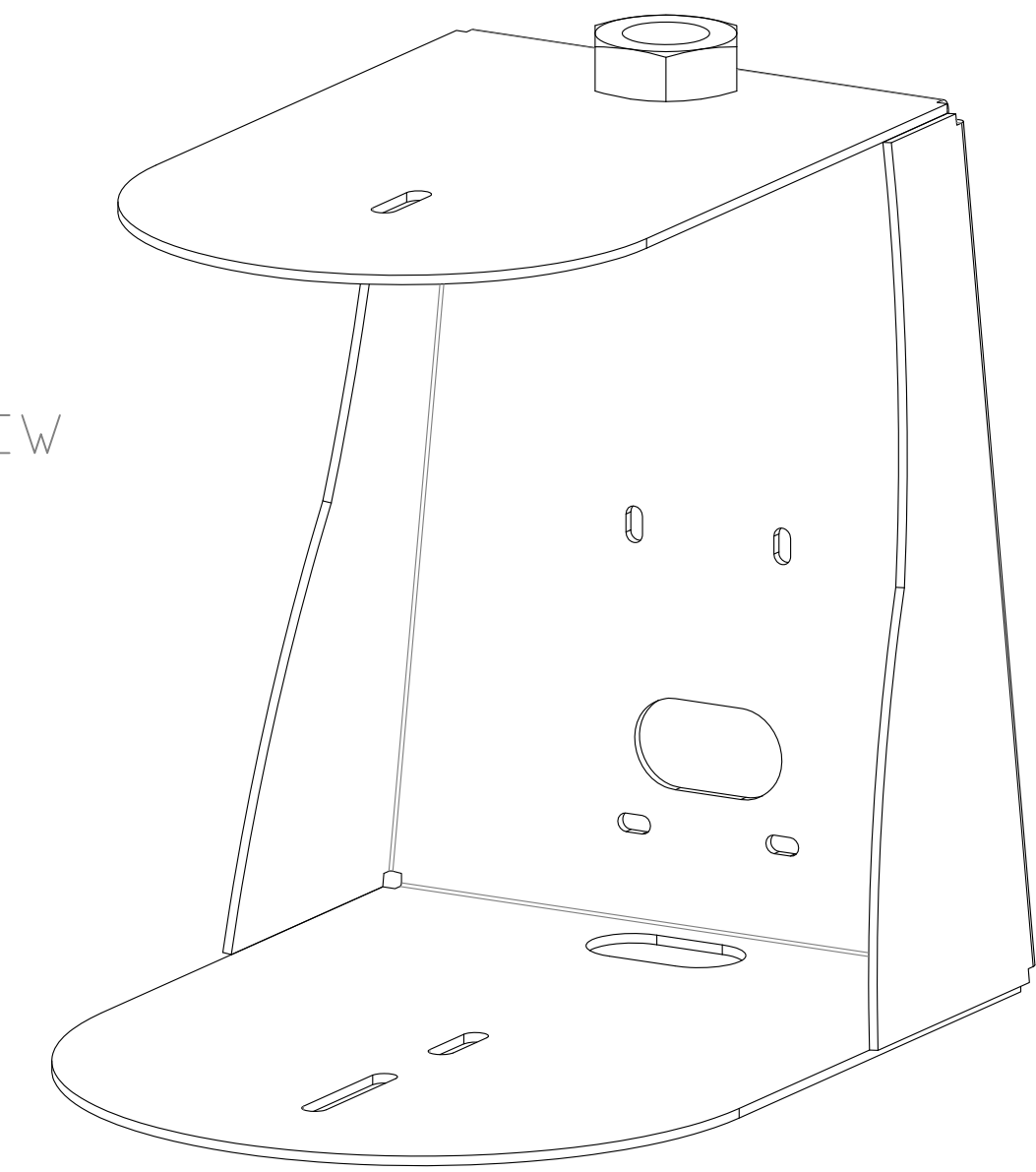


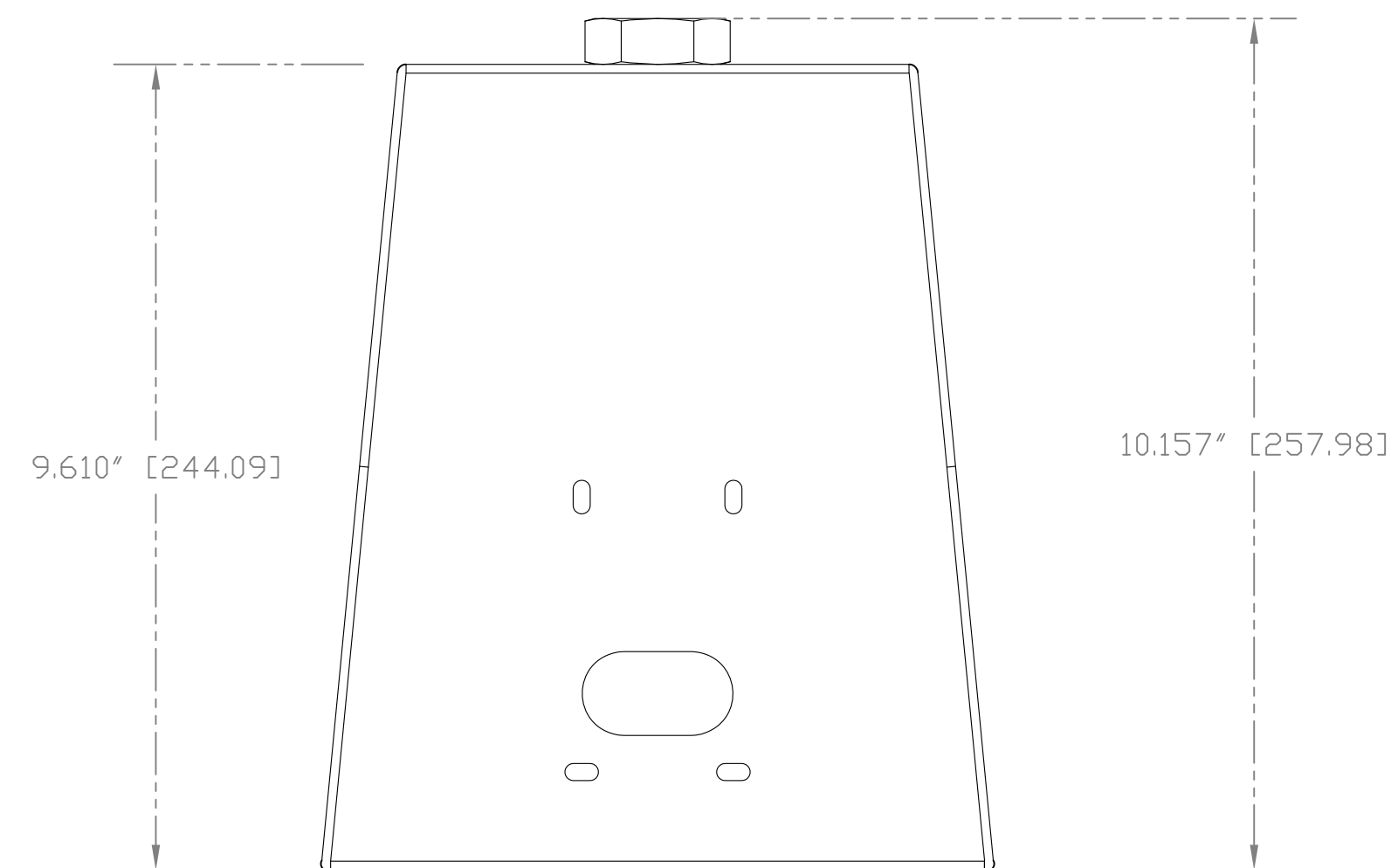
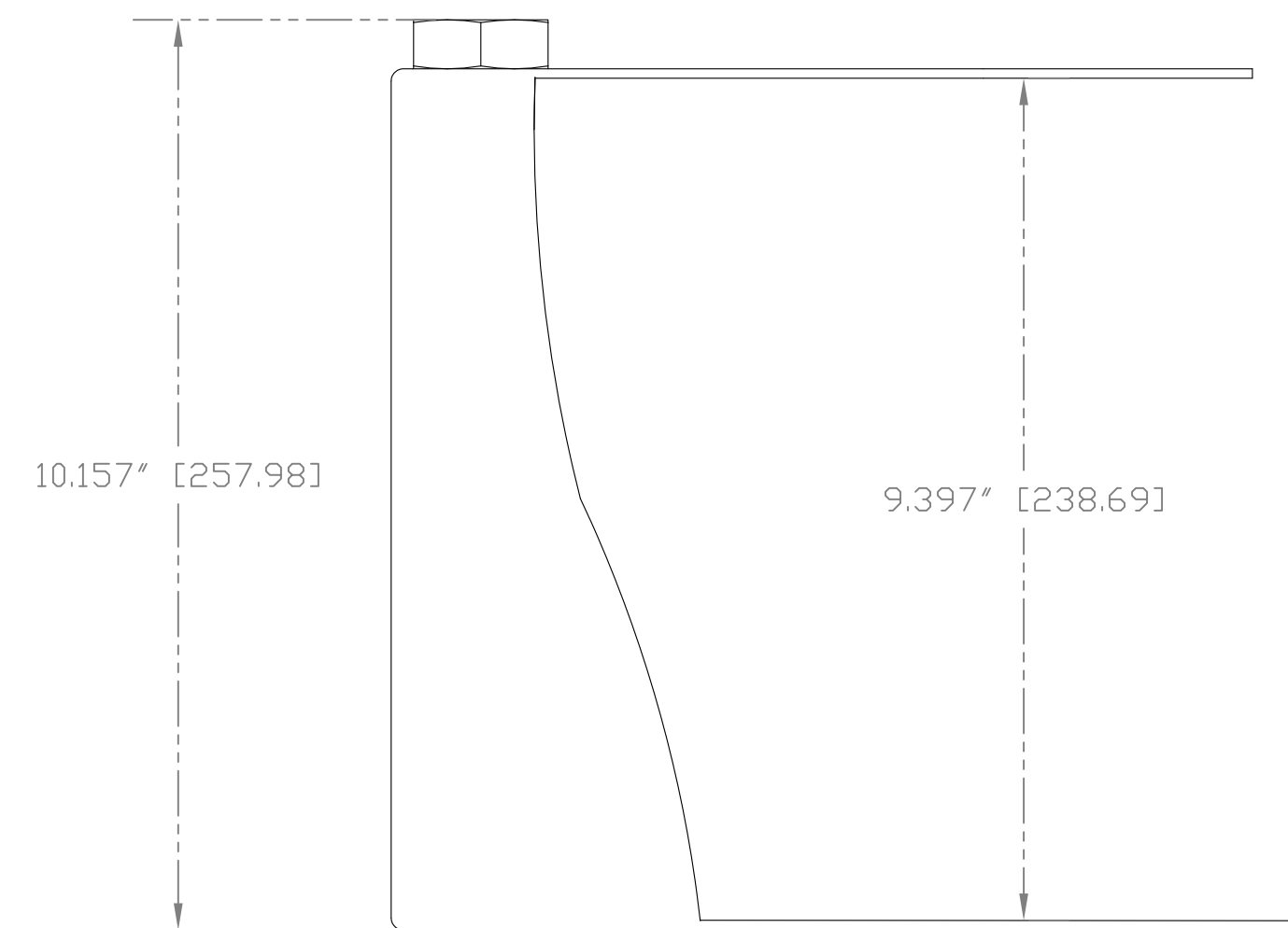
TOP VIEW



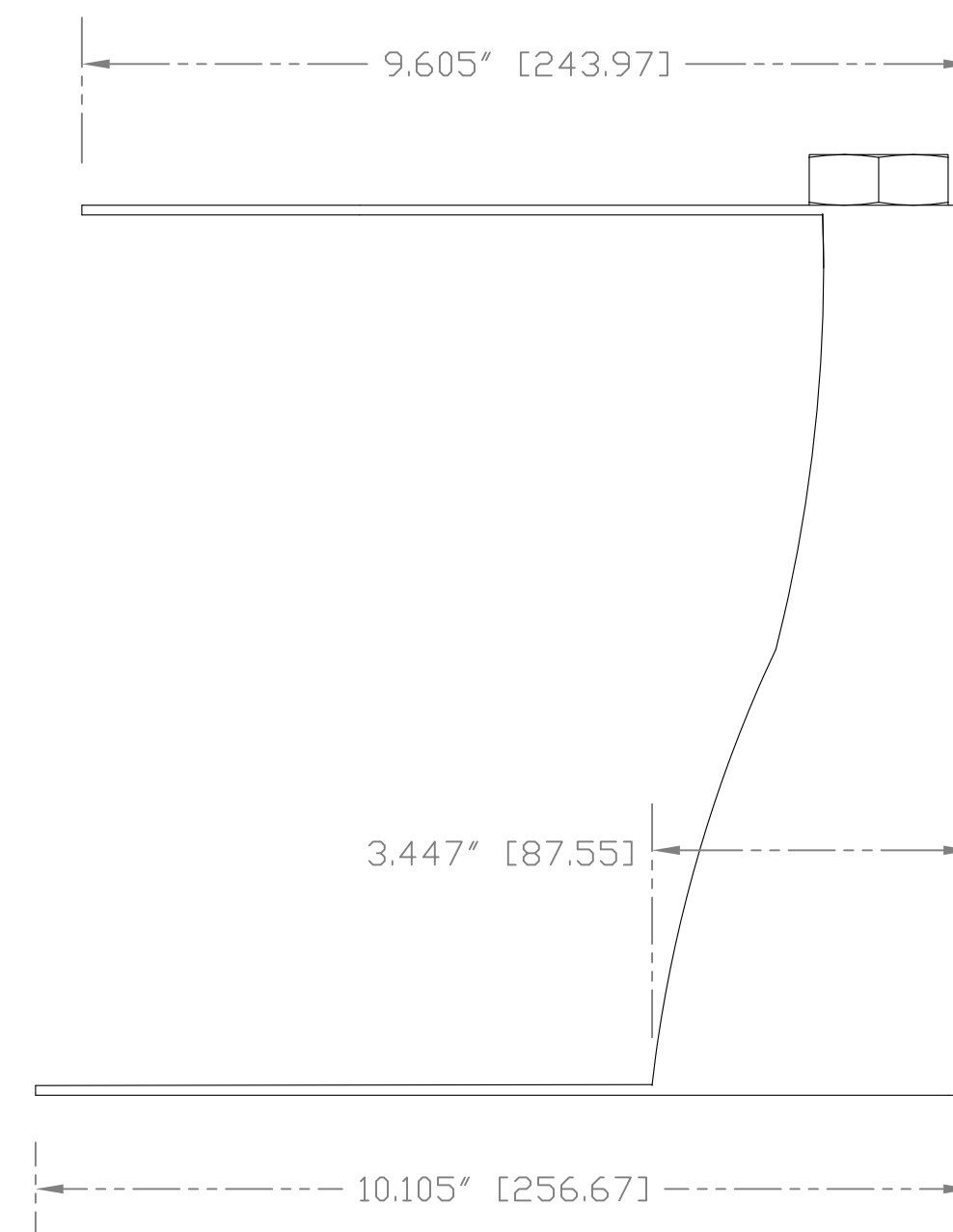
ISO VIEW



SIDE VIEW 1

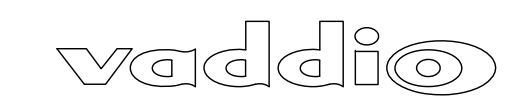
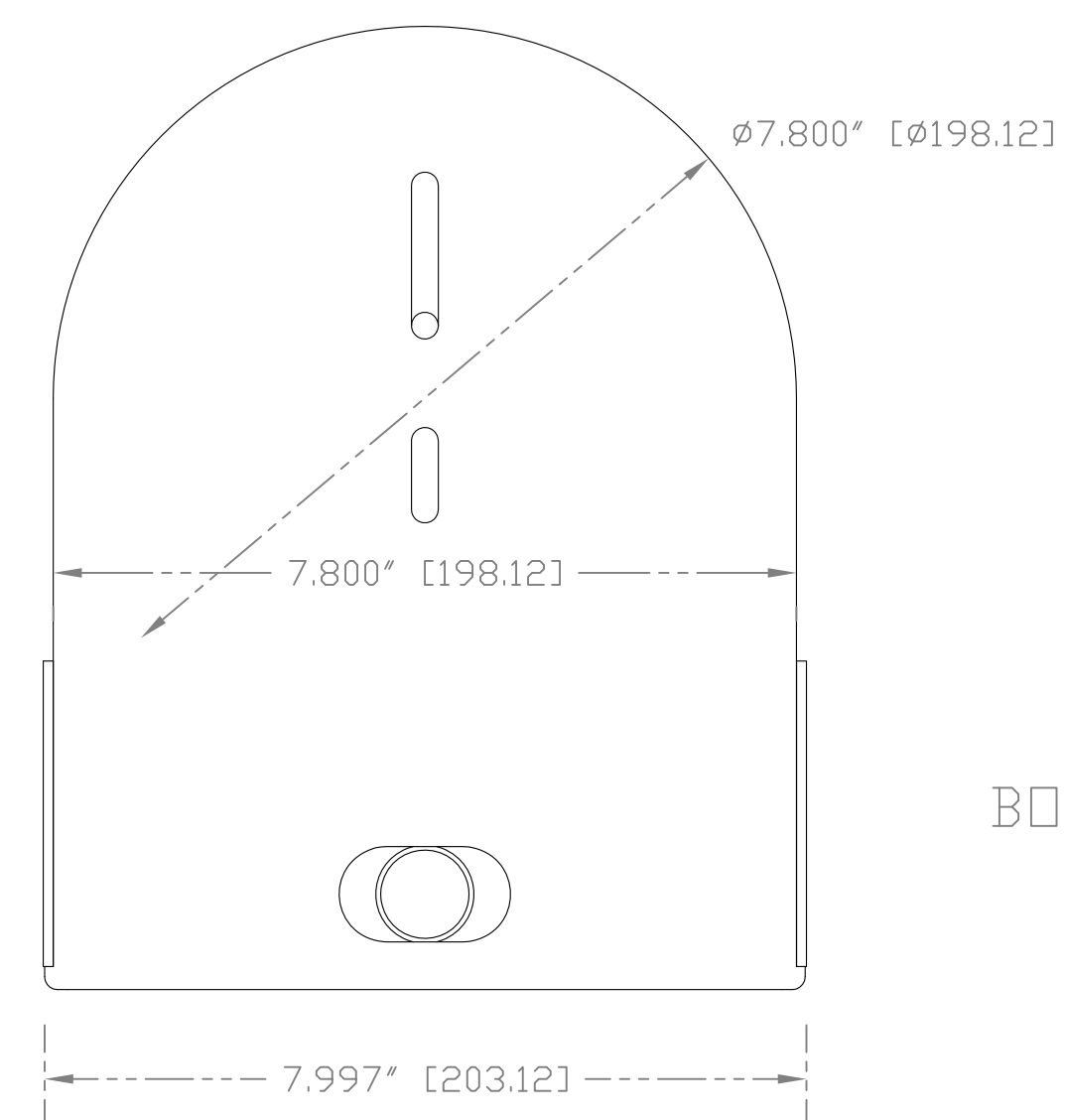


FRONT VIEW



SIDE VIEW 2

BOTTOM VIEW



GENERAL NOTES:
DIMENSIONS ARE IN INCHES (mm) UNLESS OTHERWISE NOTED.
DO NOT DISTRIBUTE WITHOUT EXPRESS WRITTEN PERMISSION
OF VADDIO. DUE TO OUR CONTINUING EFFORTS TO ENHANCE
OUR PRODUCTS, WE RESERVE THE RIGHT TO CHANGE
SPECIFICATIONS WITHOUT PRIOR NOTICE OR OBLIGATION.

Double Decker Wall Mount for RoboTRAK

PN: 342-1201 - Shipped with RoboTRAK System

DRAWN	CHECKED	APPROVED	DATE
RAR/WLF		RAR	11/1/2016

THIS DRAWING, INCLUDING ALL SUBJECT MATTERS INDICATED THEREON OR DERIVED THEREFROM, COMPRISES PROPRIETARY INFORMATION AND IS THE EXPRESS PROPERTY OF VADDIO. All Rights Reserved - Copyright © 2016

MATERIALS	CRS SHT, .105 (12 GA) BLACK POWDERCOAT - C241-BK303	SCALE	1:2	DRAWING No.	REV
COMMENTS	Thermal Polarizing Equalizer (TPE) - NOT INCLUDED	SIZE	D	342-1201	A