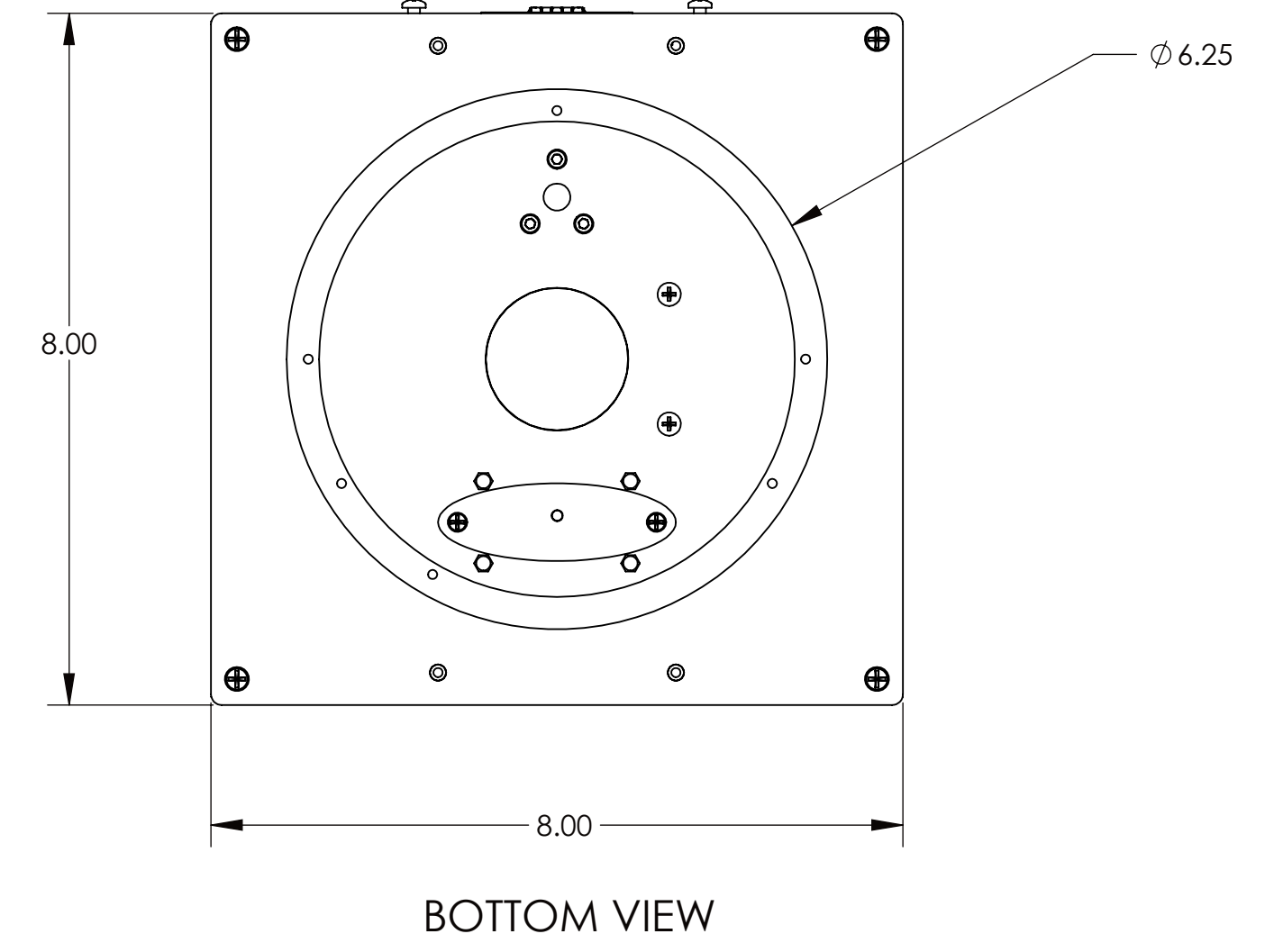
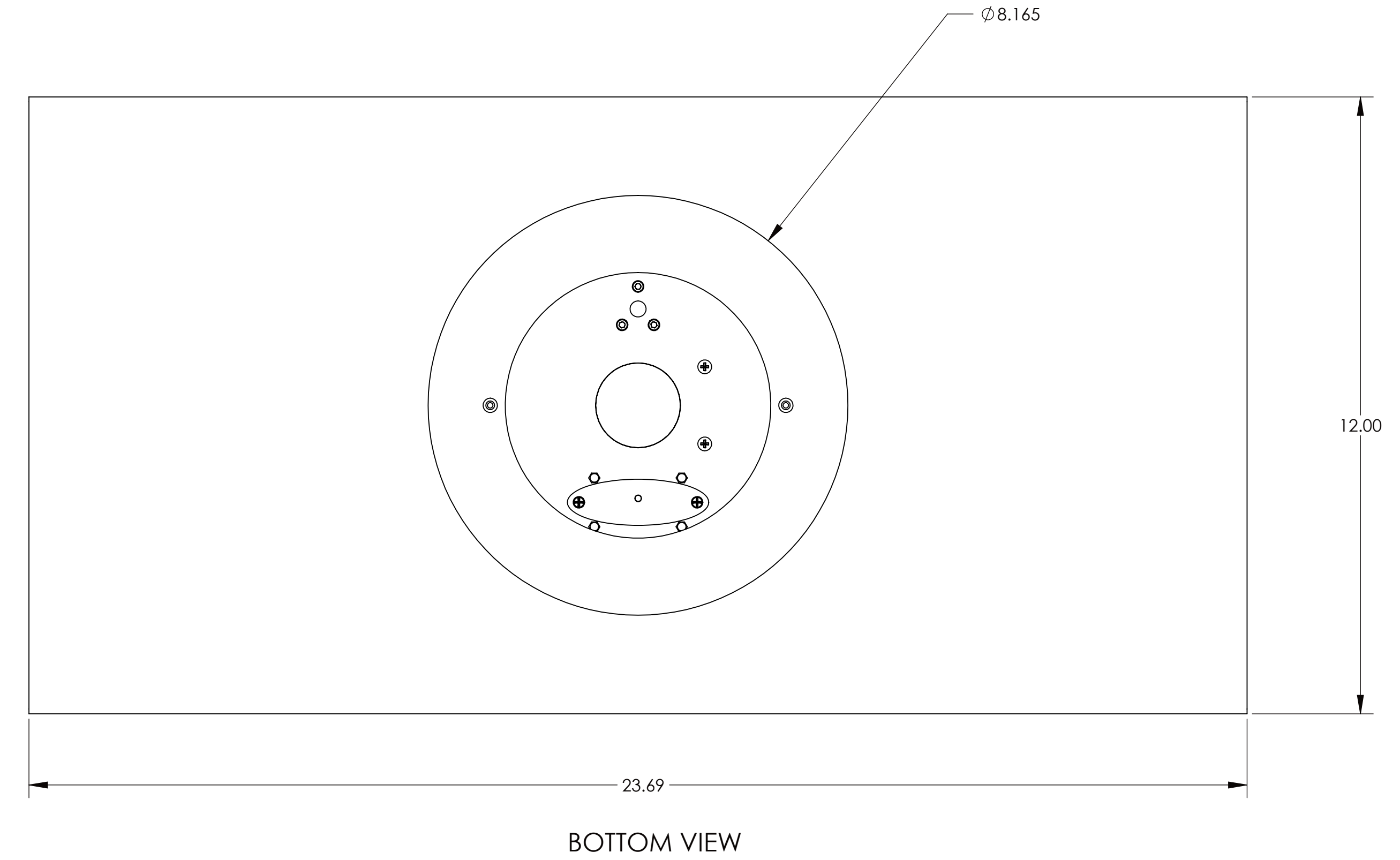
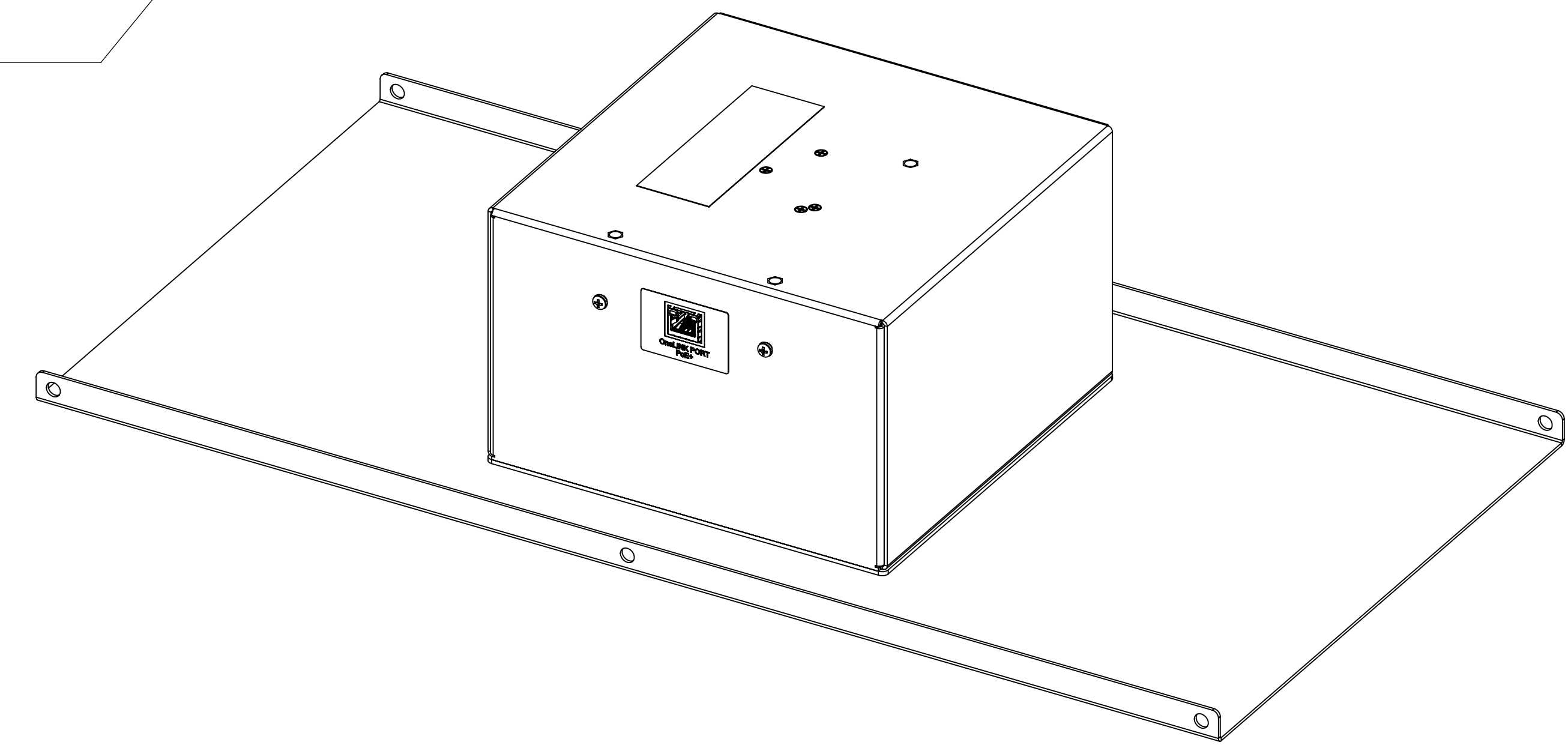


FOR CLARITY, TRIM RING AND TILE BRACE NOT SHOWN IN THESE VIEWS.



DRAWING NO.  
998-9968-000



CAMERA ASSEMBLY PN: 998-9968-000  
 SYSTEM PNs: 999-9968-000  
 999-9968-001  
 DocCAM 20 HDBT Camera

THIS DRAWING, INCLUDING ALL SUBJECT MATTERS INDICATED THEREON OR DERIVED THEREFROM, COMPRSES PROPRIETARY INFORMATION AND IS THE EXPRESS PROPERTY OF VADDIO LLC. EMPLOYMENT, REPRODUCTION OF OR DISSEMINATION OF THIS DRAWING, IN WHOLE OR IN PART, WITHOUT WRITTEN PERMISSION OF VADDIO LLC IS STRICTLY FORBIDDEN.



DRAWN WLF	CHECKED	APPROVED WLF	DATE 12/6/17
MATERIAL Various	SIZE D		SCALE 1:2
FINISH -	REV.		

DIMENSIONS ARE IN INCHES

TITLE DocCAM Assembly	SHEET 1 OF 1	DRAWING NO. 998-9968-000	REV. -
--------------------------	-----------------	-----------------------------	-----------