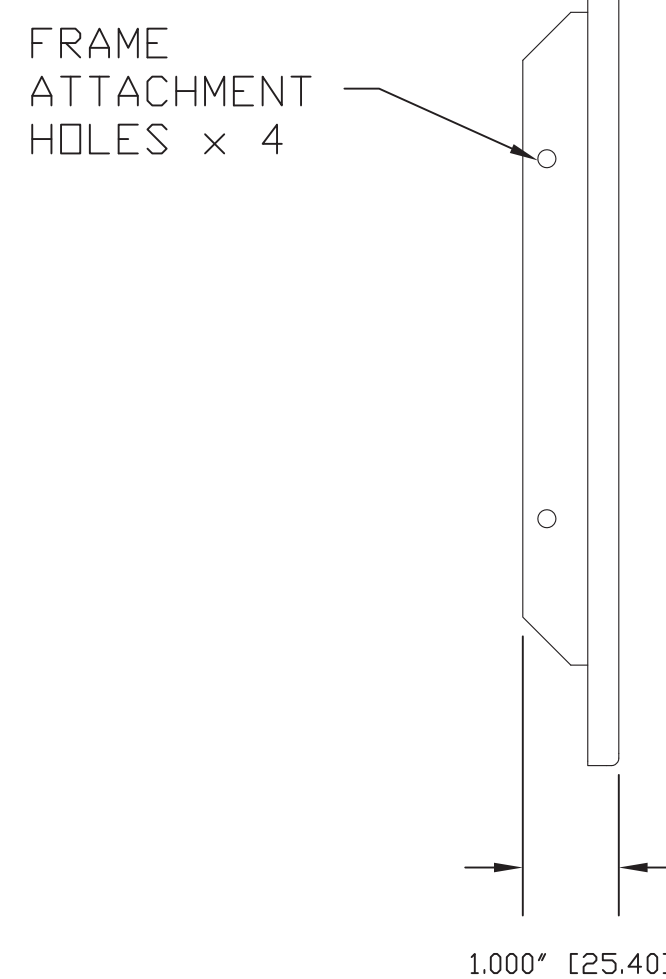
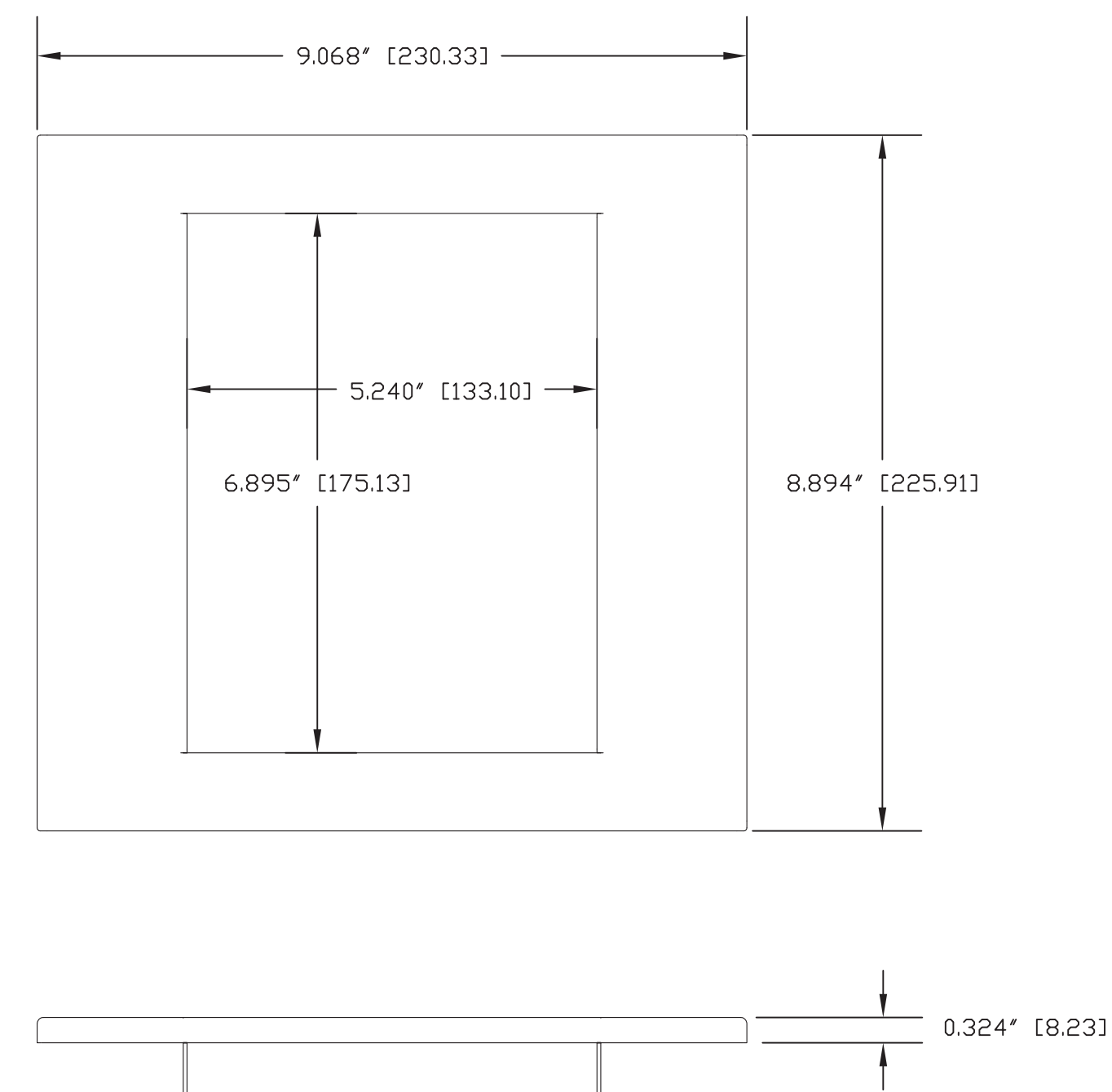


CAMERA BOX BOTTOM VIEW

FACE FRAME SIDE VIEW



FACE FRAME FRONT VIEW



FACE FRAME TOP VIEW

		<small>GENERAL NOTES: DIMENSIONS ARE IN INCHES (mm) UNLESS OTHERWISE NOTED. DO NOT DISTRIBUTE WITHOUT EXPRESS WRITTEN PERMISSION OF VADDIO. DUE TO OUR CONTINUING EFFORTS TO ENHANCE OUR PRODUCTS, WE RESERVE THE RIGHT TO CHANGE SPECIFICATIONS WITHOUT PRIOR NOTICE OR OBLIGATION.</small>	
		IN-Wall Mount for ZoomSHOT, WideSHOT and EVI-D70	
Vaddio PART NUMBER 999-2225-012 (BOX, FRAME & PLATFORM)			
DRAWN RAR/WLF	CHECKED	APPROVED RAR	DATE 5/21/2009
<small>THIS DRAWING, INCLUDING ALL SUBJECT MATTERS INDICATED THEREIN OR DERIVED THEREFROM, COMPRISES PROPRIETARY INFORMATION AND IS THE EXPRESS PROPERTY OF VADDIO. All Rights Reserved - Copyright 2009</small>			
MATERIALS CRS 18 GAUGE (BOX & FRAME) & 12 GAUGE (PLATFORM)	SCALE 1:2	DRAWING No. 2225-012	REV REV B
FINISH WHITE POWDERCOAT 20% GLOSS Vaddio 806-503	SIZE D		