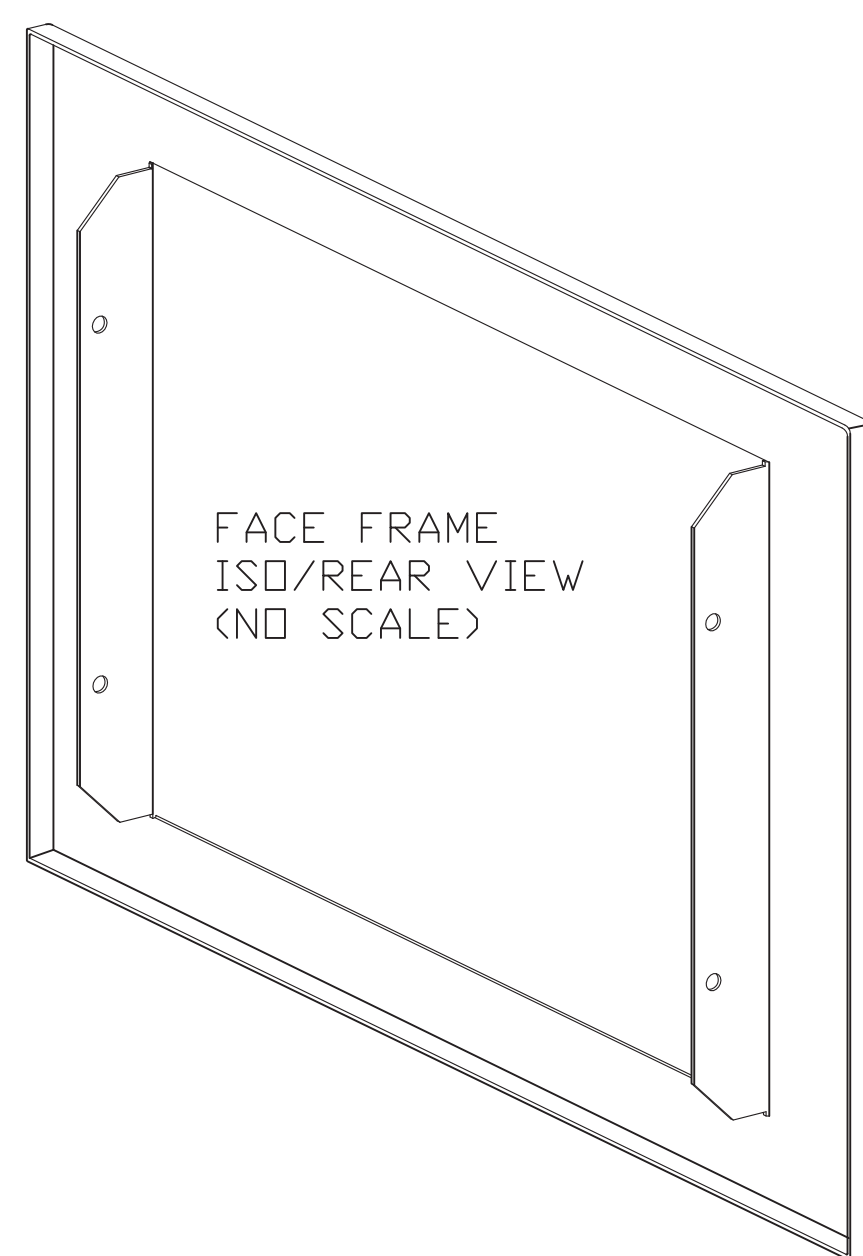
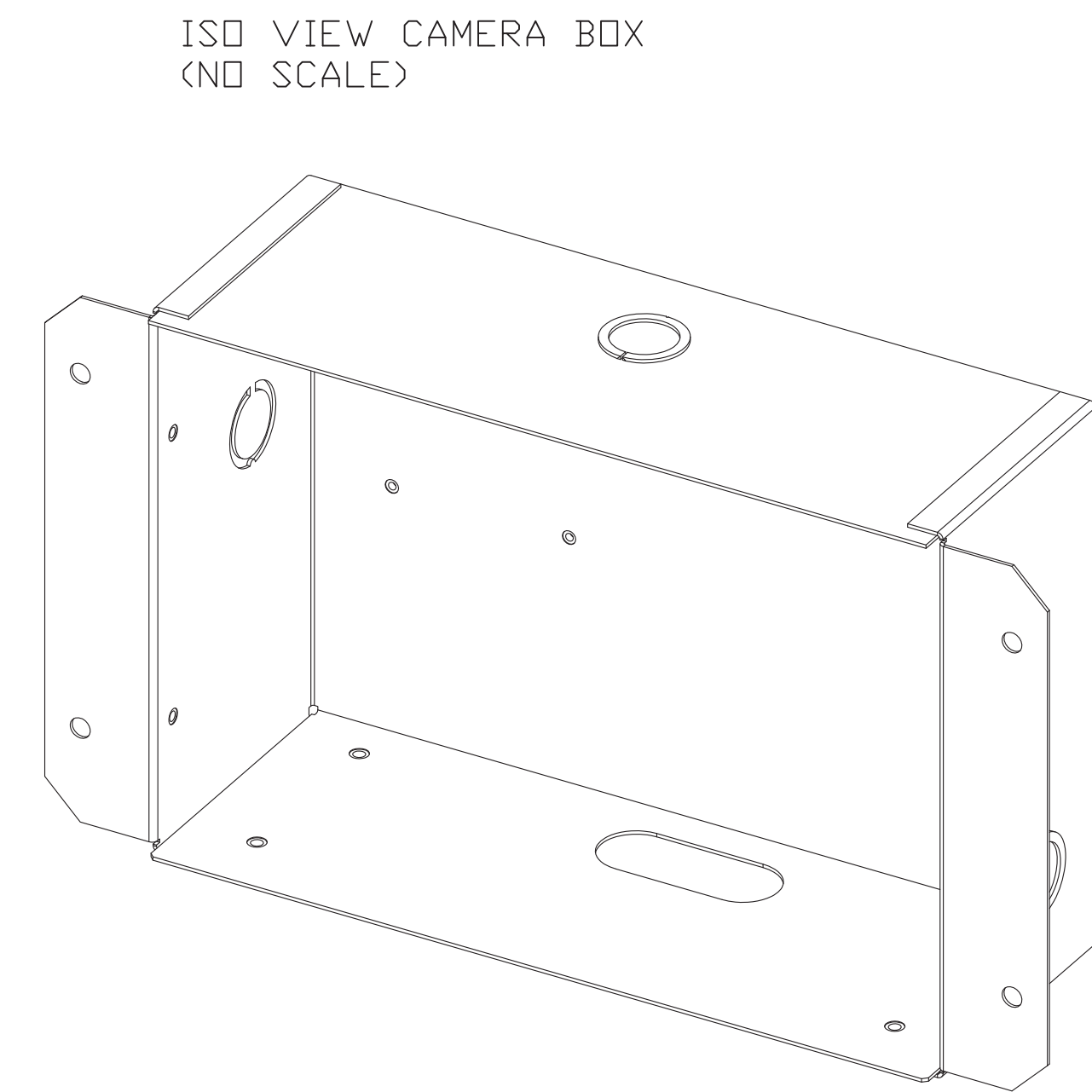


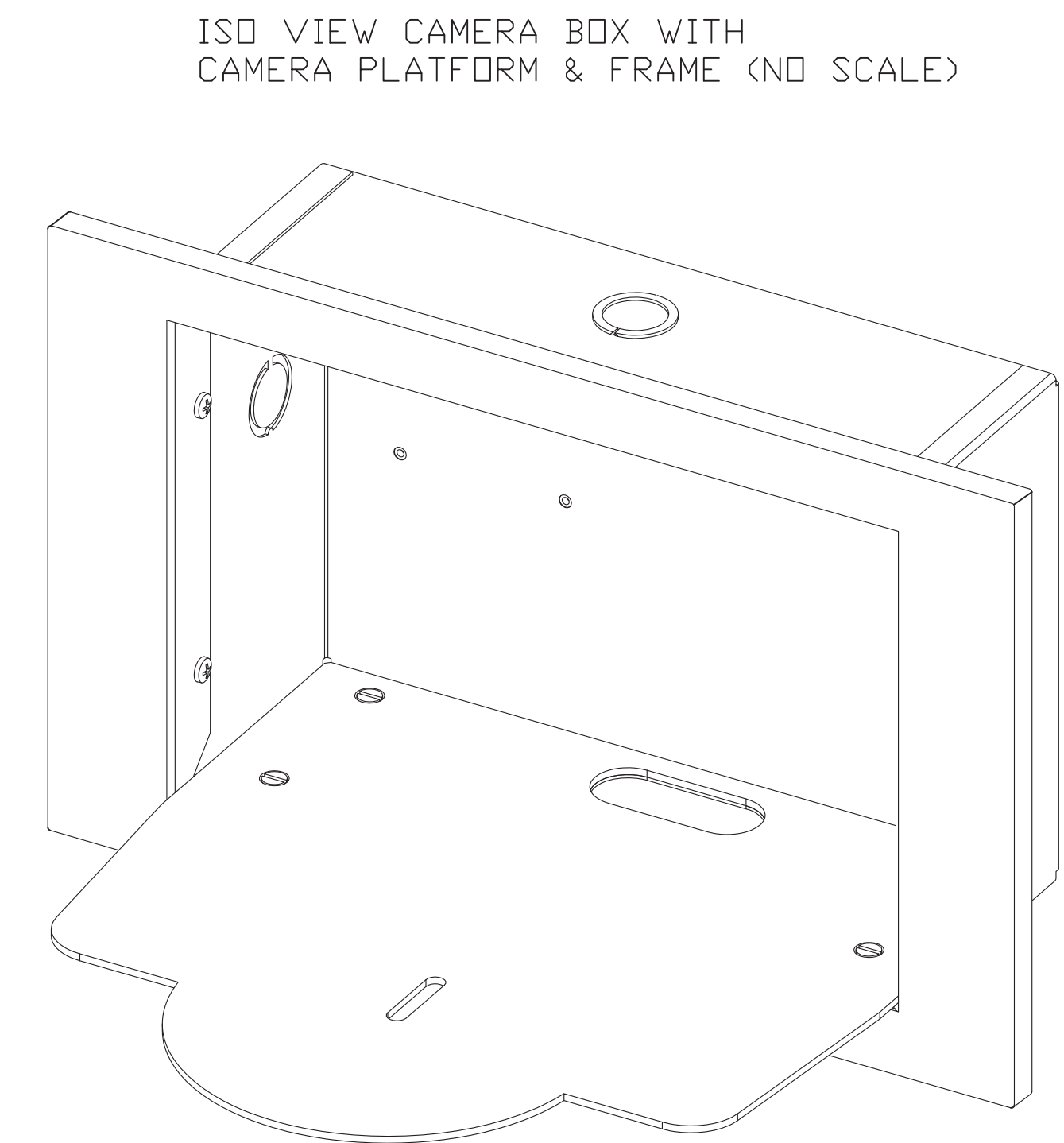
CAMERA PLATFORM TOP AND SIDE VIEWS
(12 GAUGE CRS)



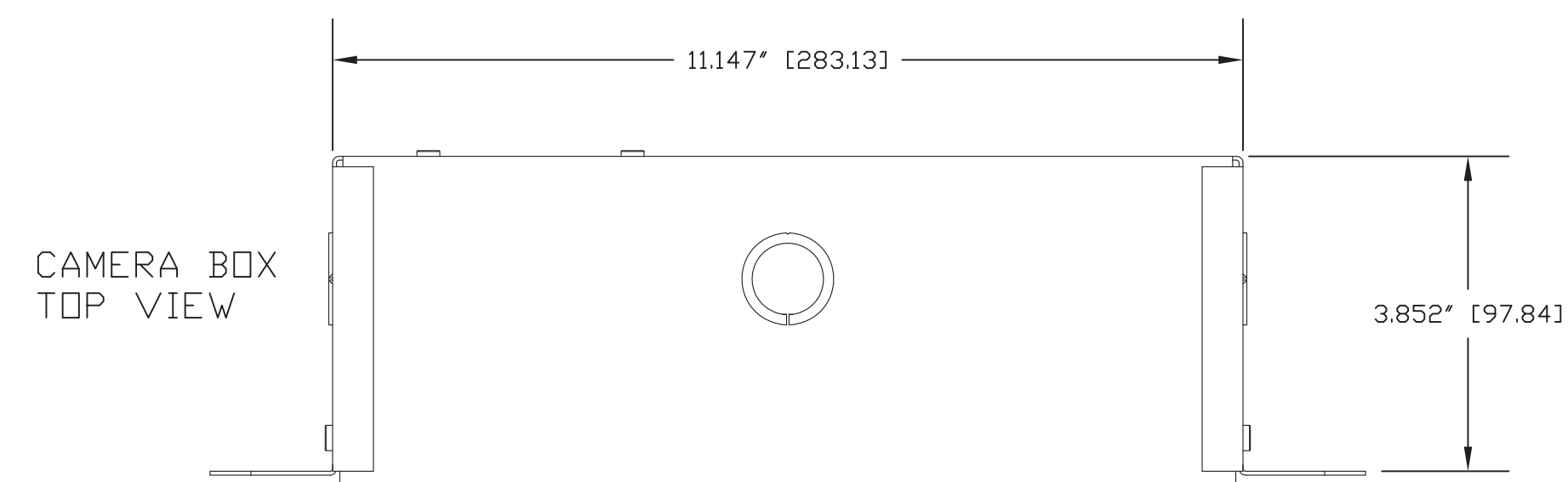
FACE FRAME
ISO/REAR VIEW
(NO SCALE)



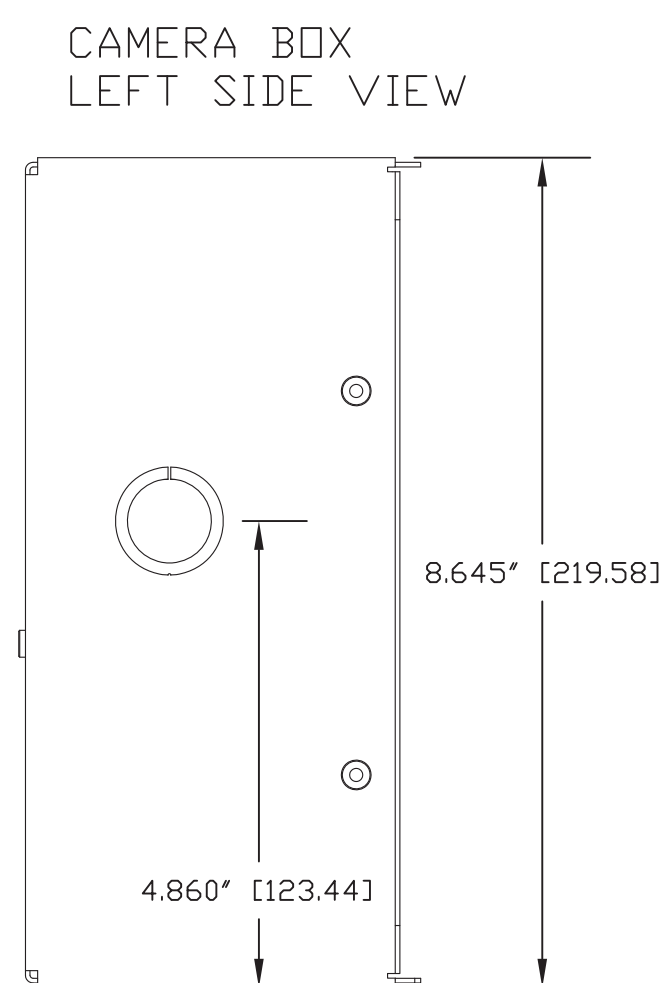
ISO VIEW CAMERA BOX
(NO SCALE)



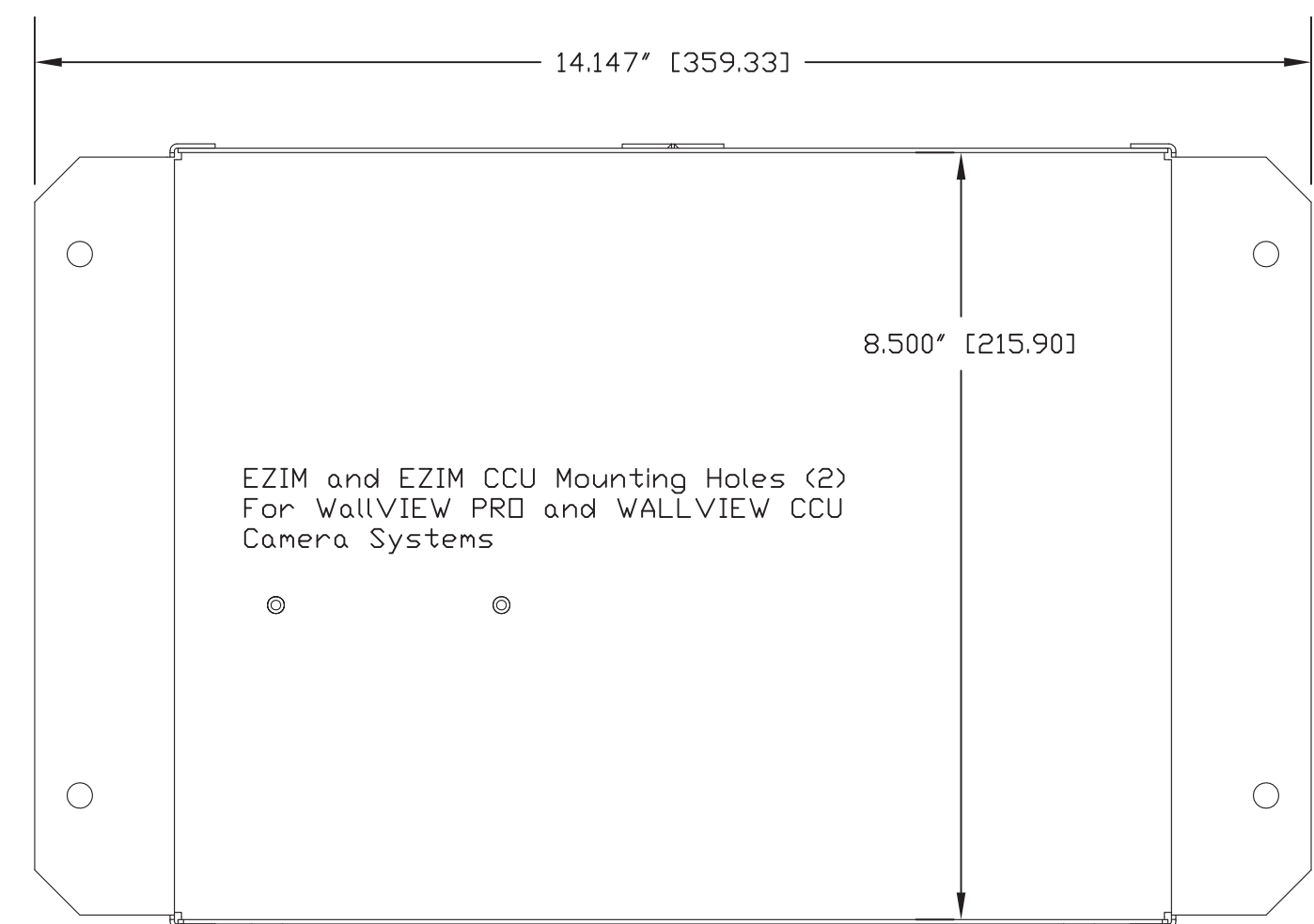
ISO VIEW CAMERA BOX WITH
CAMERA PLATFORM & FRAME (NO SCALE)



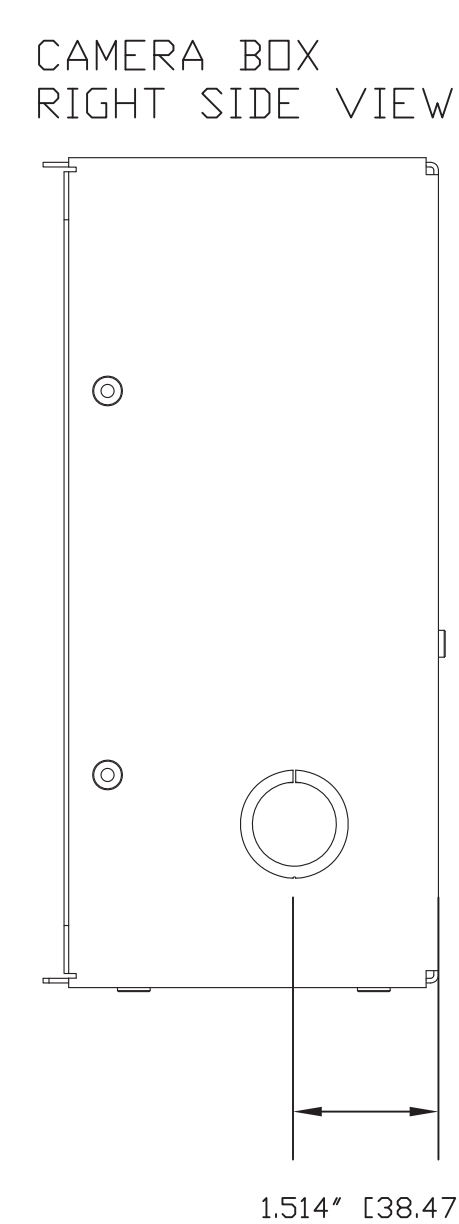
CAMERA BOX
TOP VIEW



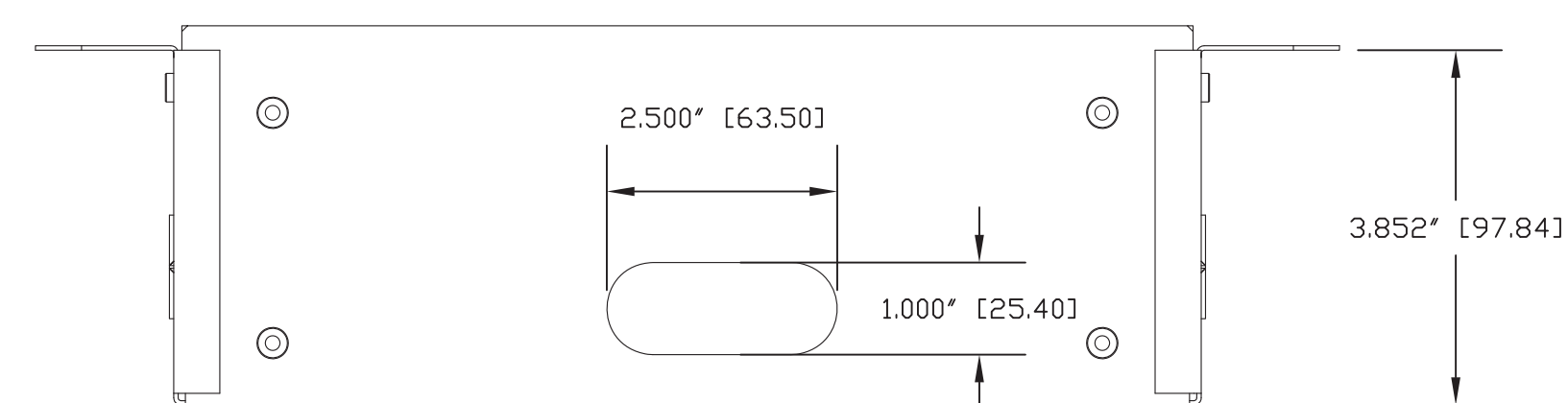
CAMERA BOX
LEFT SIDE VIEW



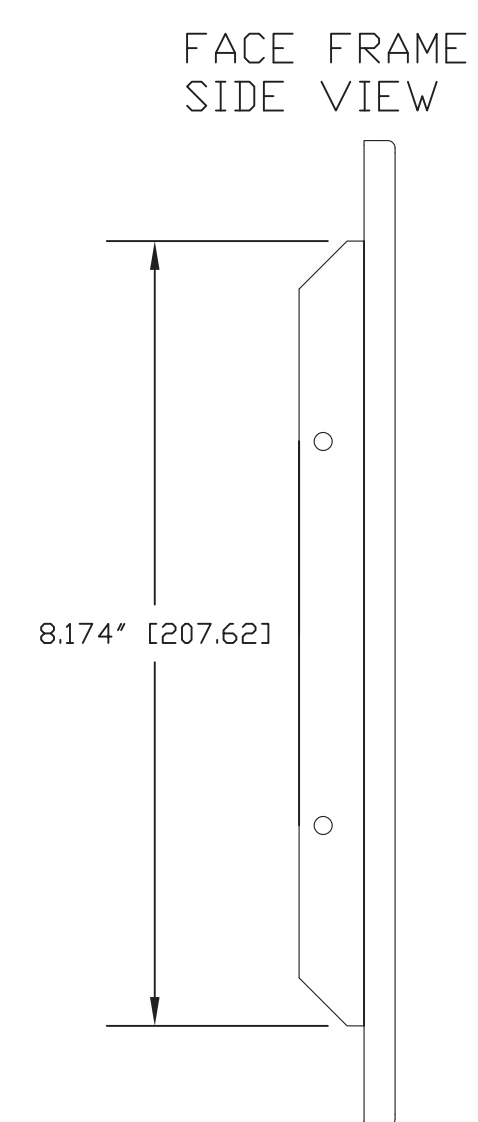
CAMERA BOX FRONT VIEW



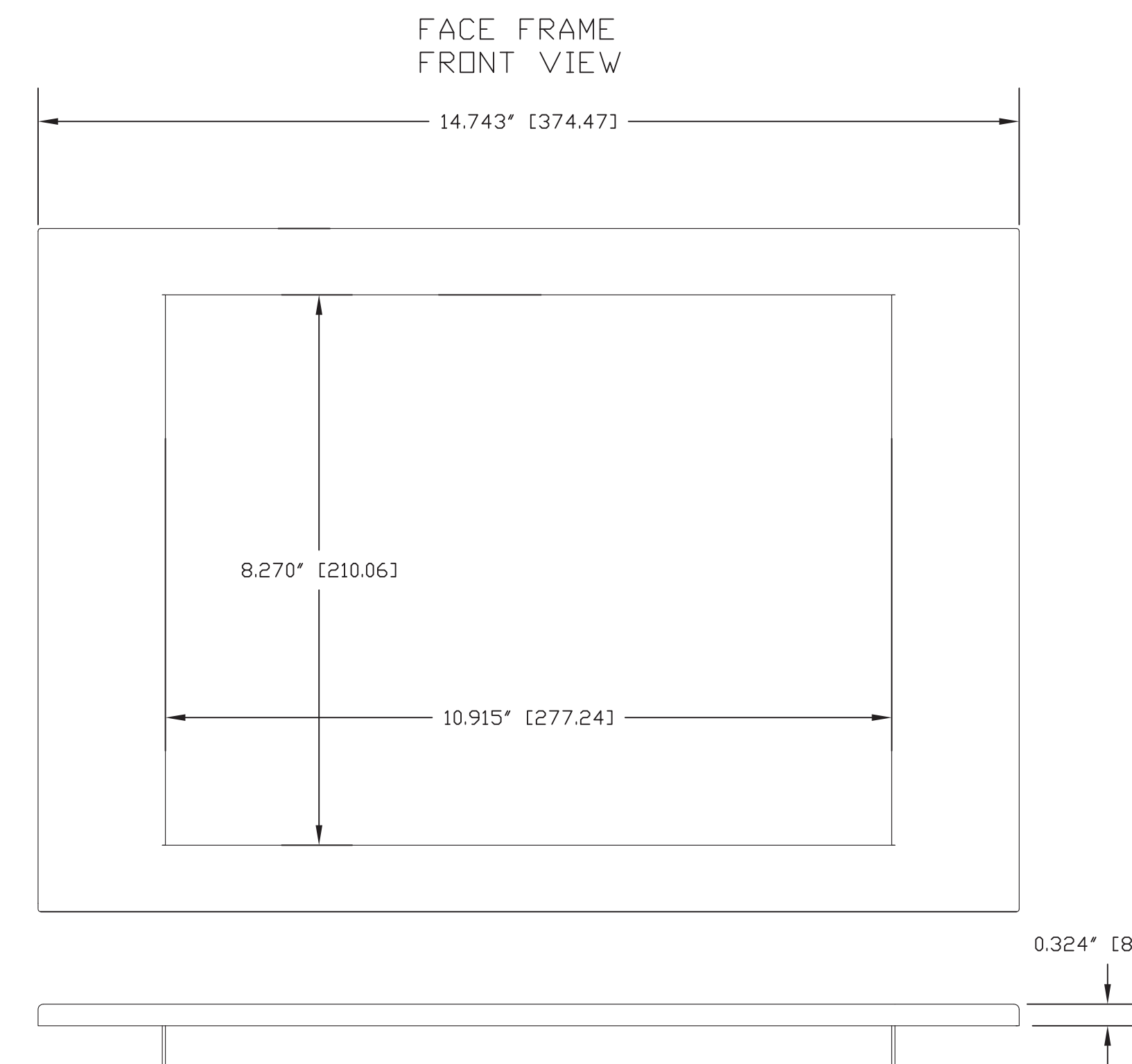
CAMERA BOX
RIGHT SIDE VIEW



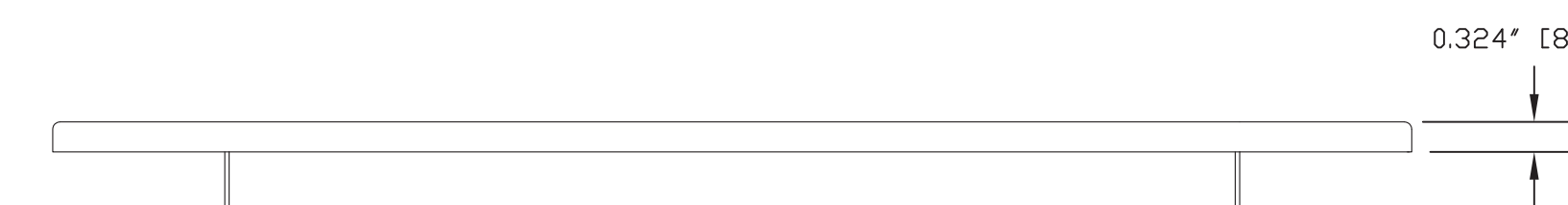
CAMERA BOX BOTTOM VIEW



FACE FRAME
SIDE VIEW



FACE FRAME
FRONT VIEW



FACE FRAME
TOP VIEW

| | | | | |
|--|-----------------------------|--|---------------------------------|--|
| | | <small>GENERAL NOTES: DIMENSIONS ARE IN INCHES (mm) UNLESS OTHERWISE NOTED. DO NOT DISTRIBUTE WITHOUT EXPRESS WRITTEN PERMISSION OF VADDIO. DUE TO OUR CONTINUING EFFORTS TO ENHANCE OUR PRODUCTS, WE RESERVE THE RIGHT TO CHANGE SPECIFICATIONS WITHOUT PRIOR NOTICE OR OBLIGATION.</small> | | |
| | | IN-Wall Mount for Sony EVI-HD1 PTZ Camera | | |
| Vaddio PART NUMBER 999-2225-014 (BOX, FRAME & PLATFORM) | | | | |
| <small>DRAWN</small> RAR/WLF | <small>CHECKED</small> | <small>APPROVED</small> RAR | <small>DATE</small> 01/11/13 | |
| <small>THIS DRAWING, INCLUDING ALL SUBJECT MATTERS INDICATED THEREIN OR DERIVED THEREFROM, COMPRISES PROPRIETARY INFORMATION AND IS THE EXPRESS PROPERTY OF VADDIO. All Rights Reserved - Copyright 2013</small> | | | | |
| <small>MATERIALS</small> CRS 18 GAUGE (BOX & FRAME) & 12 GAUGE (PLATFORM) | <small>SCALE</small> 1:2 | <small>DRAWING No.</small> 2225-014 | <small>REV</small> C | |
| <small>FINISH</small> WHITE POWDERCOAT 20% GLOSS Vaddio 806-503 | <small>SIZE</small> D | | | |