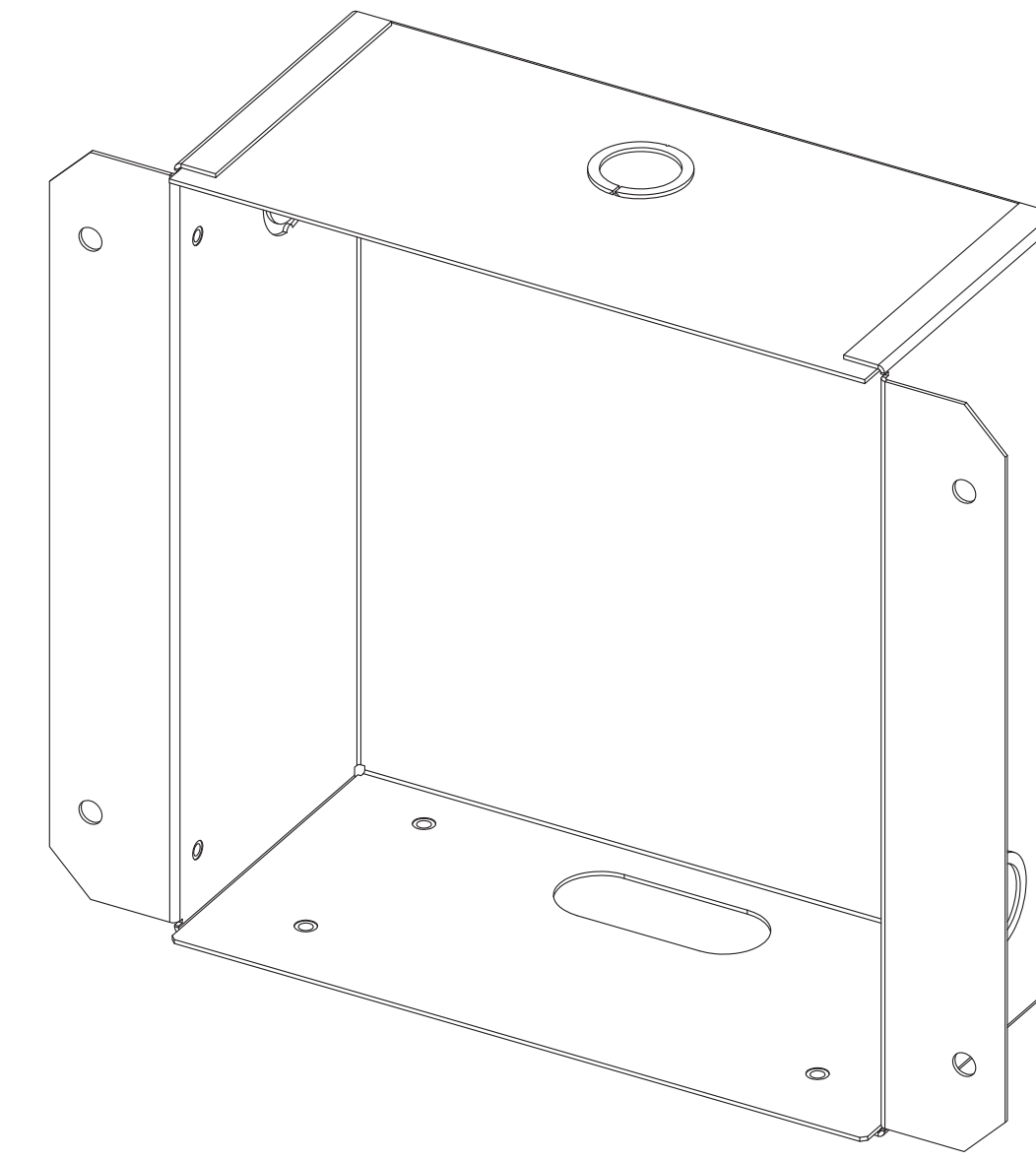
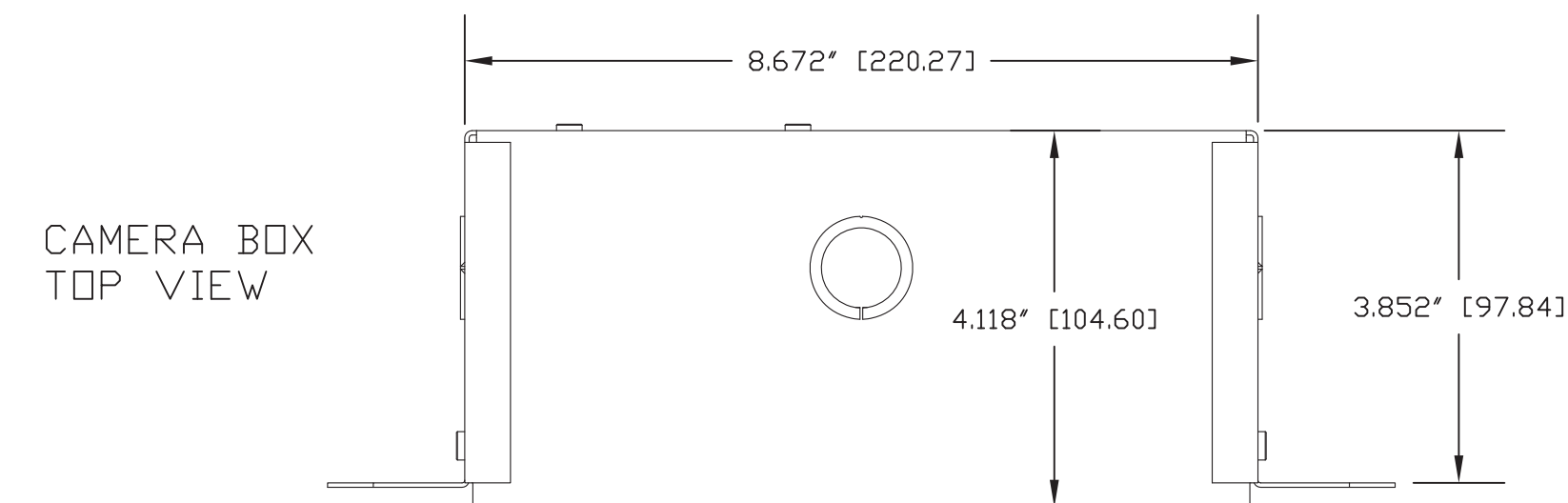
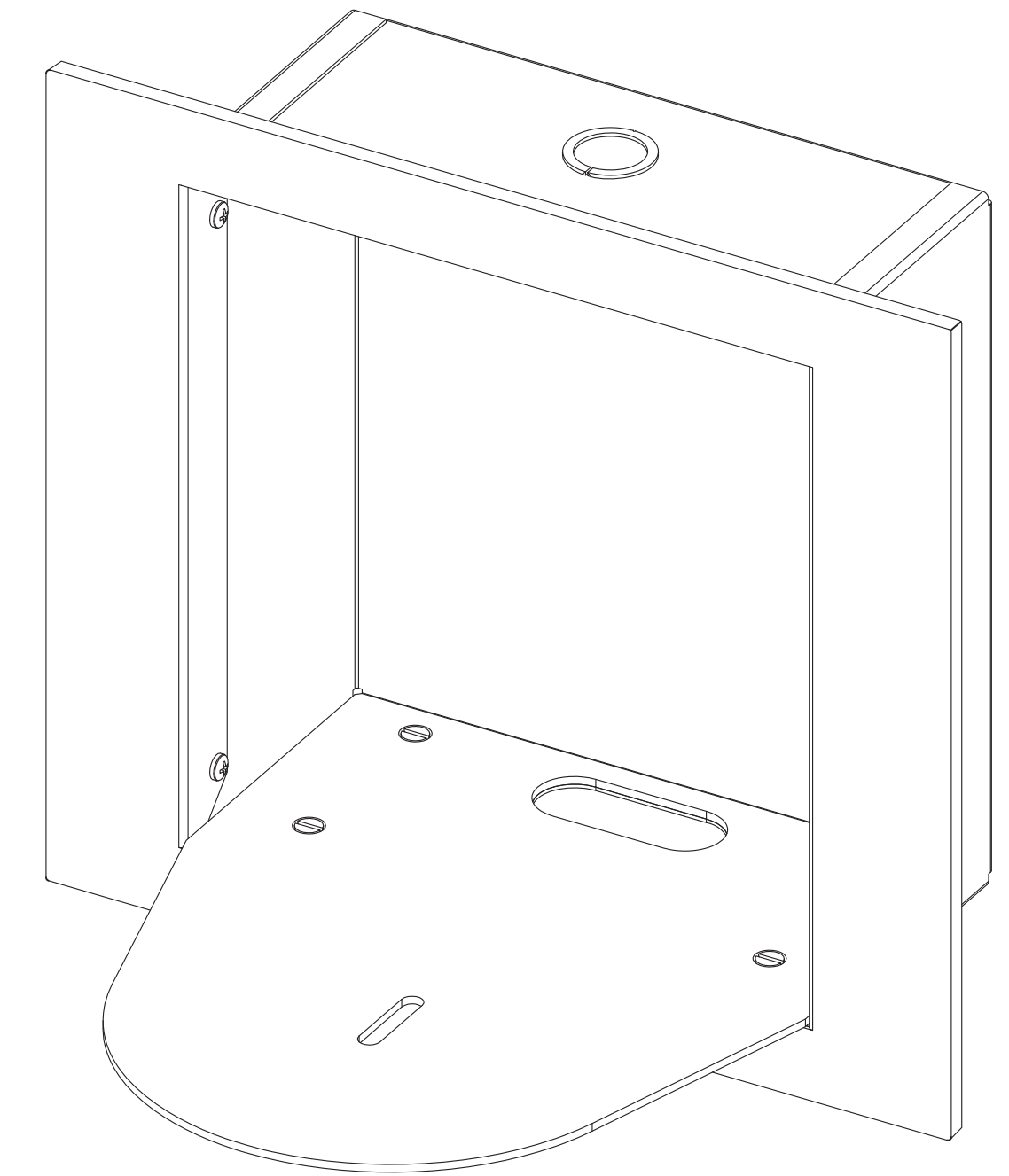


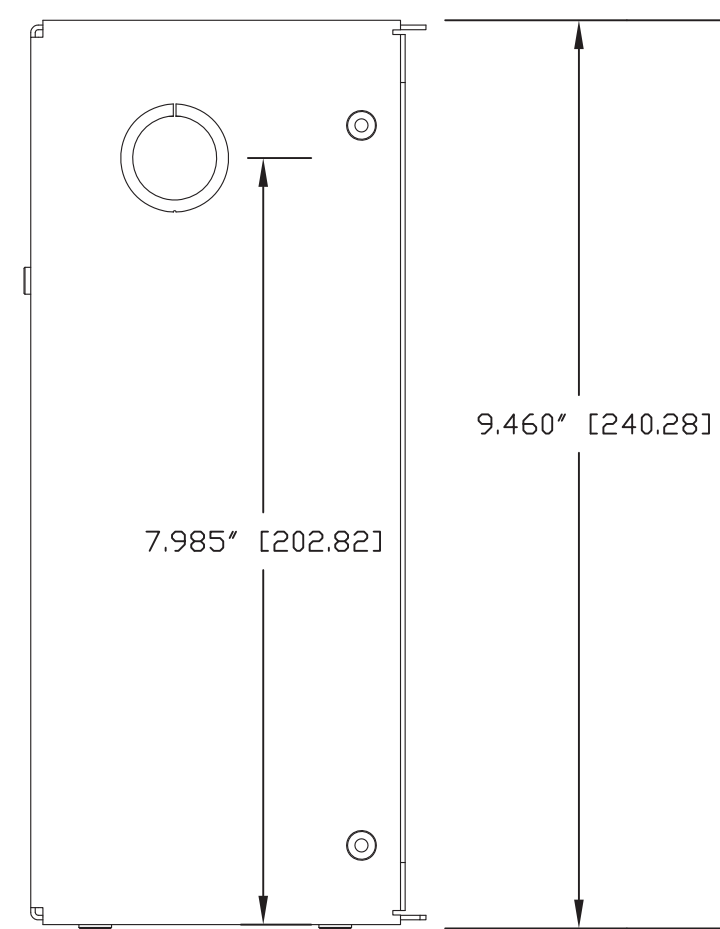
ISD VIEW CAMERA BOX
(NO SCALE)



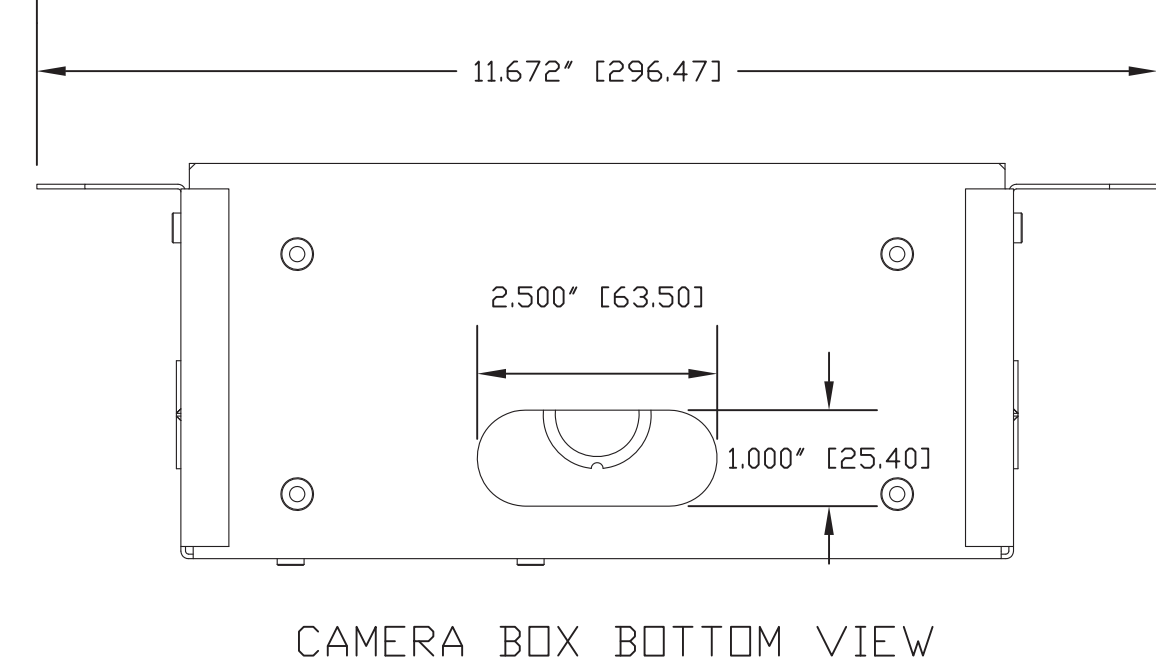
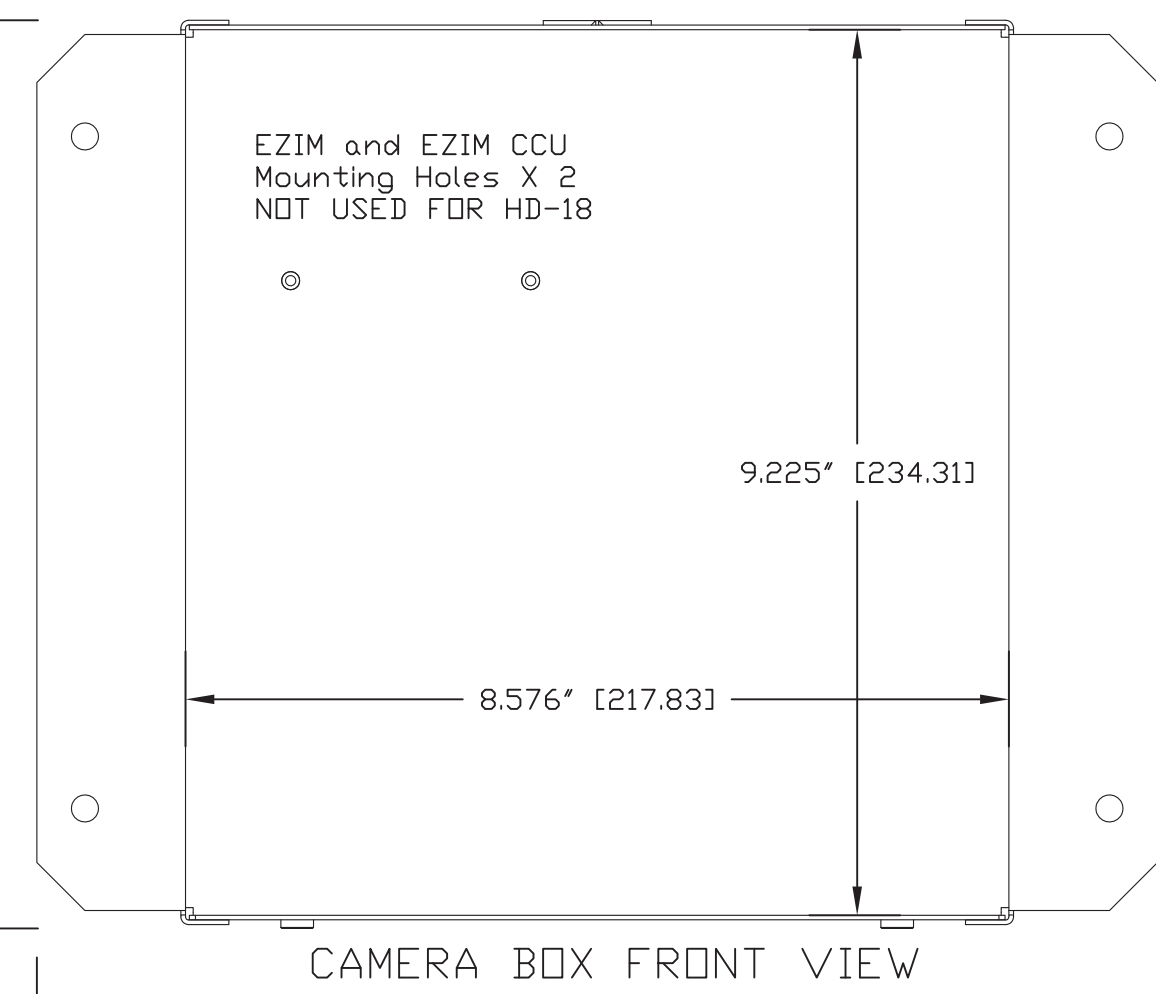
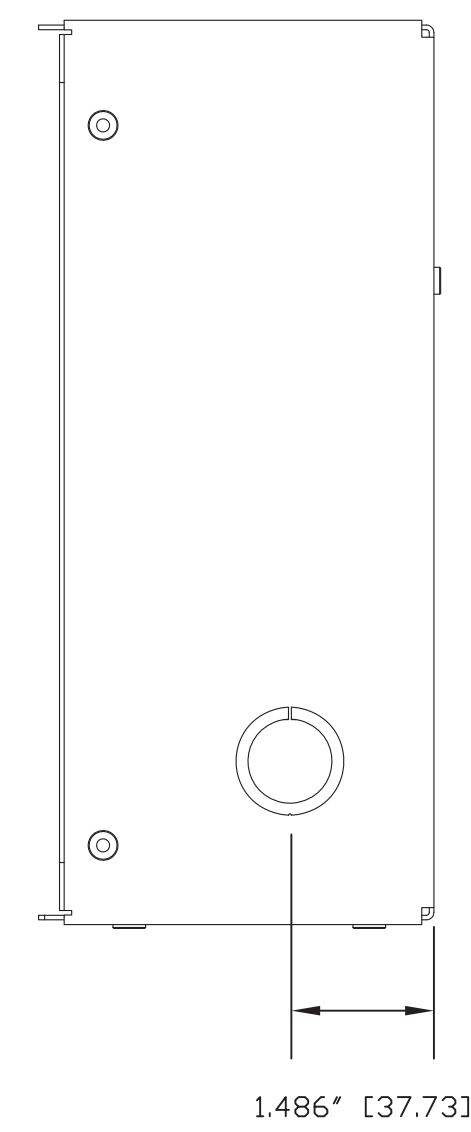
ISD VIEW CAMERA BOX WITH
CAMERA PLATFORM & FRAME (NO SCALE)



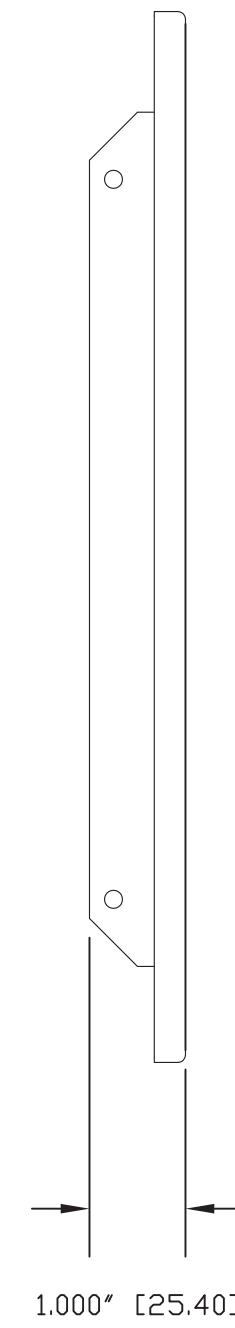
CAMERA BOX
LEFT SIDE VIEW



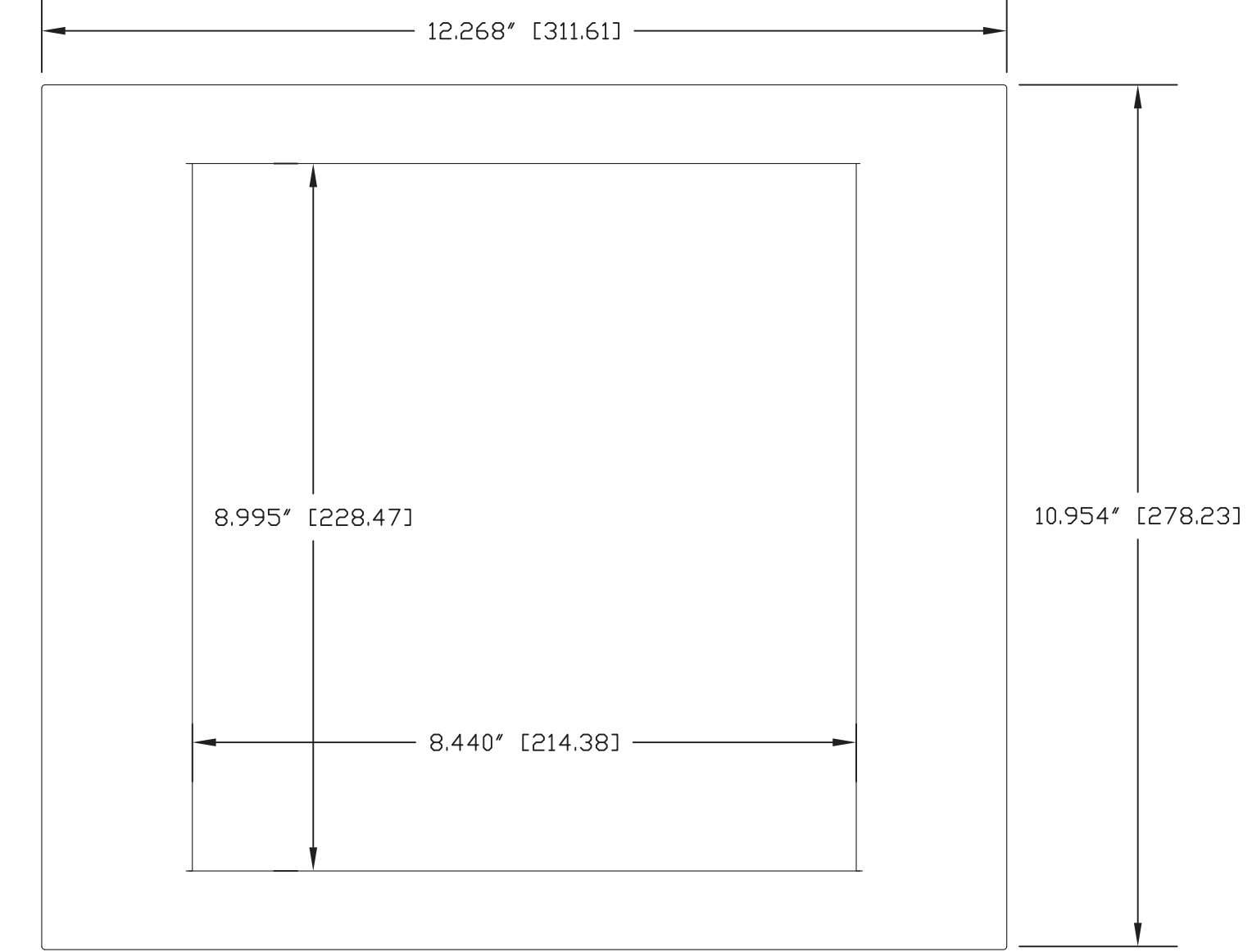
CAMERA BOX
RIGHT SIDE VIEW



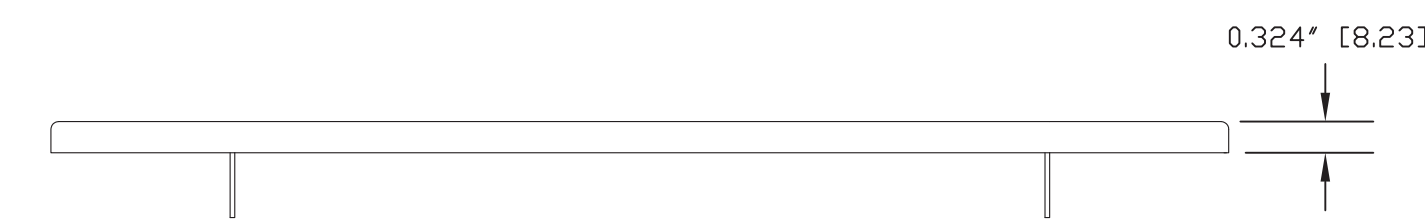
FACE FRAME
SIDE VIEW



FACE FRAME
FRONT VIEW



FACE FRAME
TOP VIEW



vaddio

GENERAL NOTES:
DIMENSIONS ARE IN INCHES (mm) UNLESS OTHERWISE NOTED.
DO NOT DISTRIBUTE WITHOUT EXPRESS WRITTEN PERMISSION
OF VADDIO. DUE TO OUR CONTINUING EFFORTS TO ENHANCE
OUR PRODUCTS, WE RESERVE THE RIGHT TO CHANGE
SPECIFICATIONS WITHOUT PRIOR NOTICE OR OBLIGATION.

IN-Wall Mount for Sony BRC-Z330/EVI-D80/90 & AW-HE50

Vaddio PART NUMBER 999-2225-019 (BOX, FRAME & PLATFORM)

DRAWN	CHECKED	APPROVED	DATE
RAR/WLF		RAR	12/22/2009

THIS DRAWING, INCLUDING ALL SUBJECT MATTERS INDICATED THEREIN OR DERIVED THEREFROM,
COMPRISES PROPRIETARY INFORMATION AND IS THE EXPRESS PROPERTY OF VADDIO.
All Rights Reserved - Copyright 2009

MATERIALS	SCALE	DRAWING No.	REV
CRS 18 GAUGE (BOX & FRAME) & 12 GAUGE (PLATFORM)	1:2	2225-019	REV A
FINISH	SIZE		
WHITE POWDERCOAT 20% GLOSS Vaddio 806-503	D		