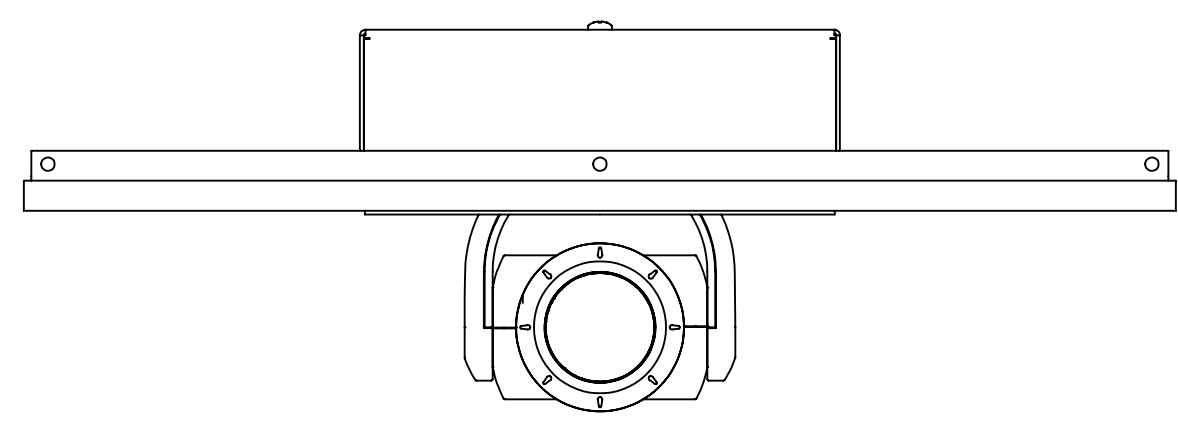
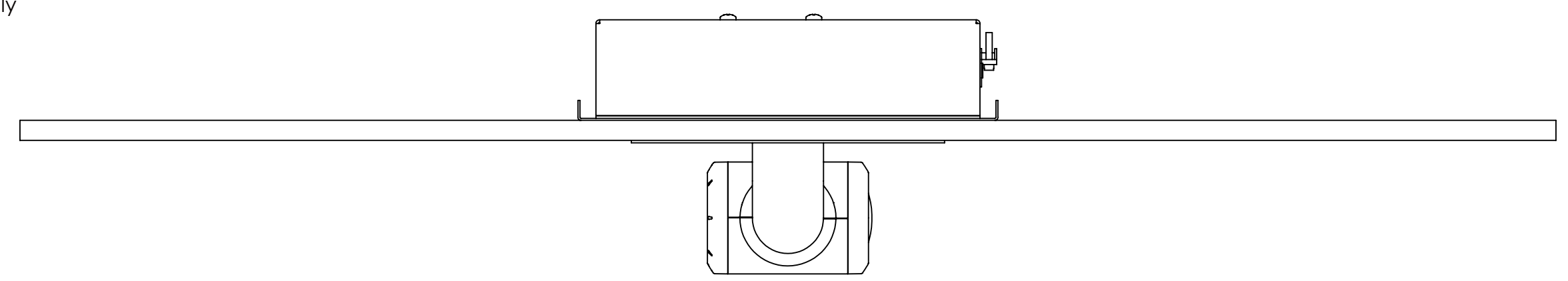


CAMERA, TRIM RING, TILE BRACE AND ENCLOSURE - FRONT VIEW



Cameras sold separately

CAMERA, TRIM RING, TILE BRACE AND ENCLOSURE - SIDE VIEW



DRAWING NO.
2225-200

UNLESS OTHERWISE NOTED: DIMENSIONS ARE IN INCHES DIMENSIONAL LIMITS APPLY AFTER FINISH		THIS DRAWING, INCLUDING ALL SUBJECT MATTERS INDICATED THEREON OR DERIVED THEREFROM, CONVEYS PROPRIETARY INFORMATION AND IS THE EXPRESS PROPERTY OF VADDIO LLC. EMPLOYMENT, REPRODUCTION OF OR DISSEMINATION OF THIS DRAWING, IN WHOLE OR IN PART, WITHOUT WRITTEN PERMISSION OF VADDIO LLC IS STRICTLY FORBIDDEN.			
MACHINED SURFACES 125	✓				
EDGES & FILLETS R .005/.015					
FRACTIONS ± 1/32					
ANGLES ± 1°					
DEC. XX = ± .015		DRAWN: WLF	CHECKED:	APPROVED:	DATE: 8/15/18
XXX = ± .005		MATERIAL: VARIOUS - SEE BOM		SIZE: D	
XXXX = ± .0002		FINISH: VARIOUS - SEE BOM		SCALE: 1:4	

REV. A	-	RELEASED	WLF	8/15/18	TITLE: VADDIO IN-Ceiling Half-Recess'd Enclosure for RoboSHOT UHD	SHEET: 1 OF 1	DRAWING NO.: 2225-200	REV. A
REV.	E.C.O.	DESCRIPTION	BY	DATE	TITLE	SHEET	DRAWING NO.	REV.