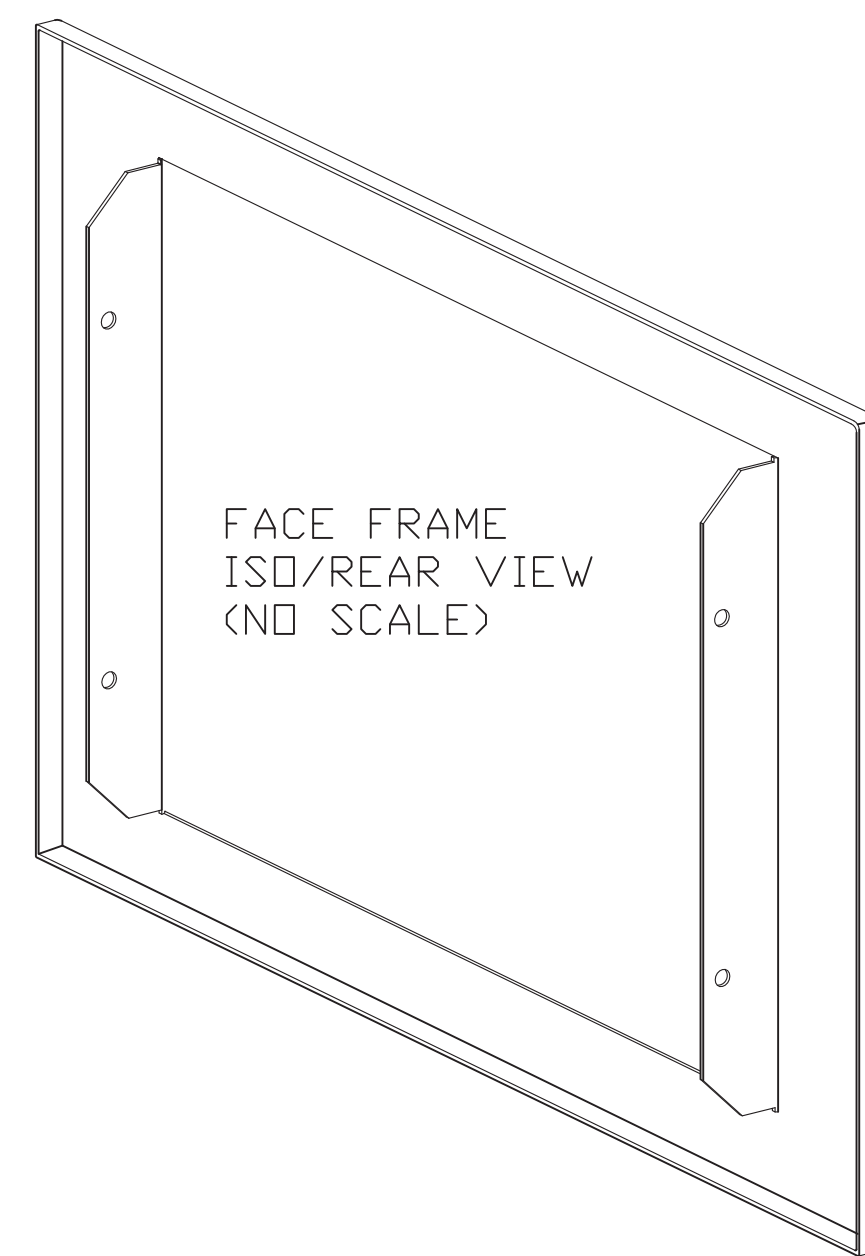
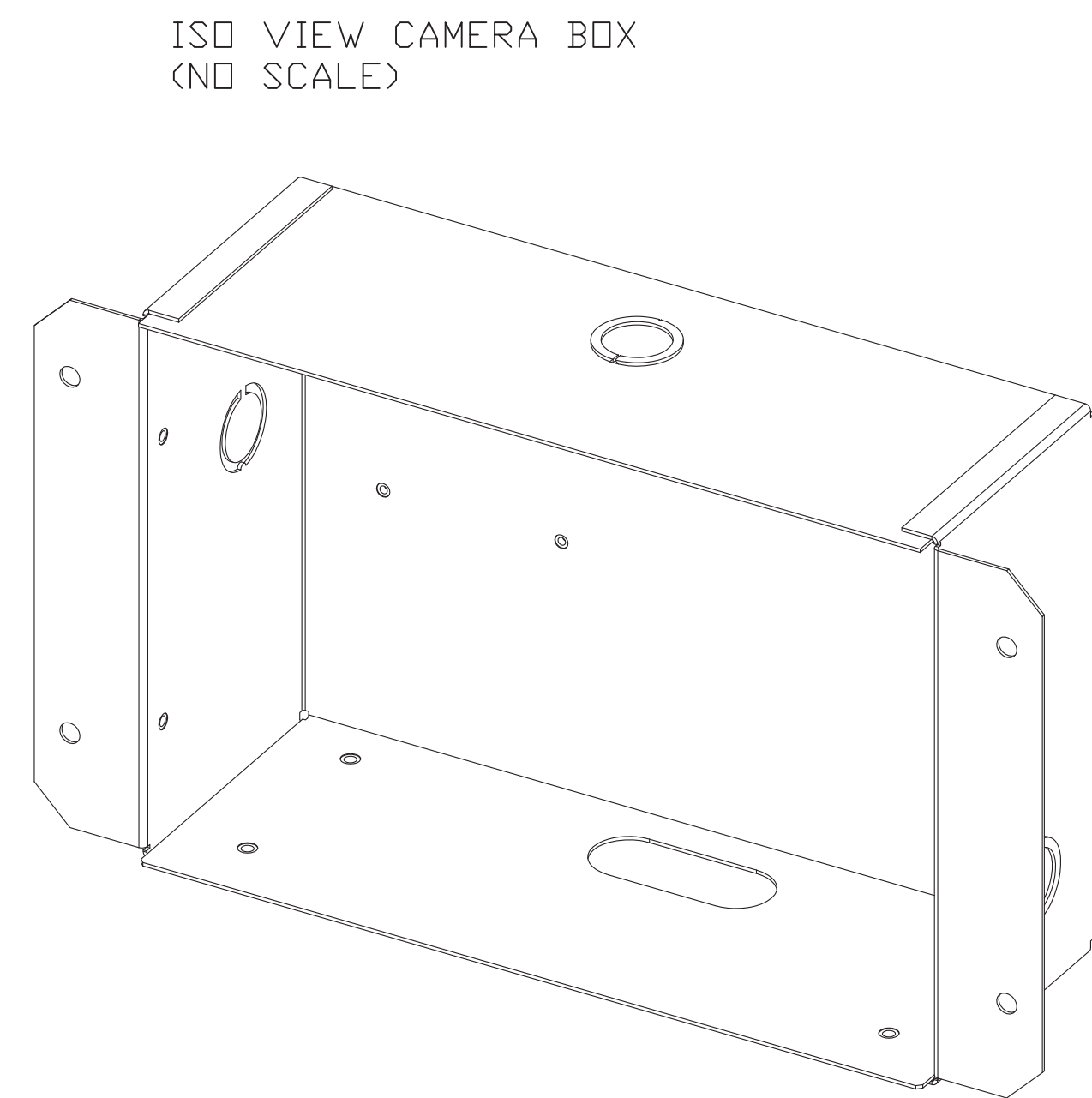


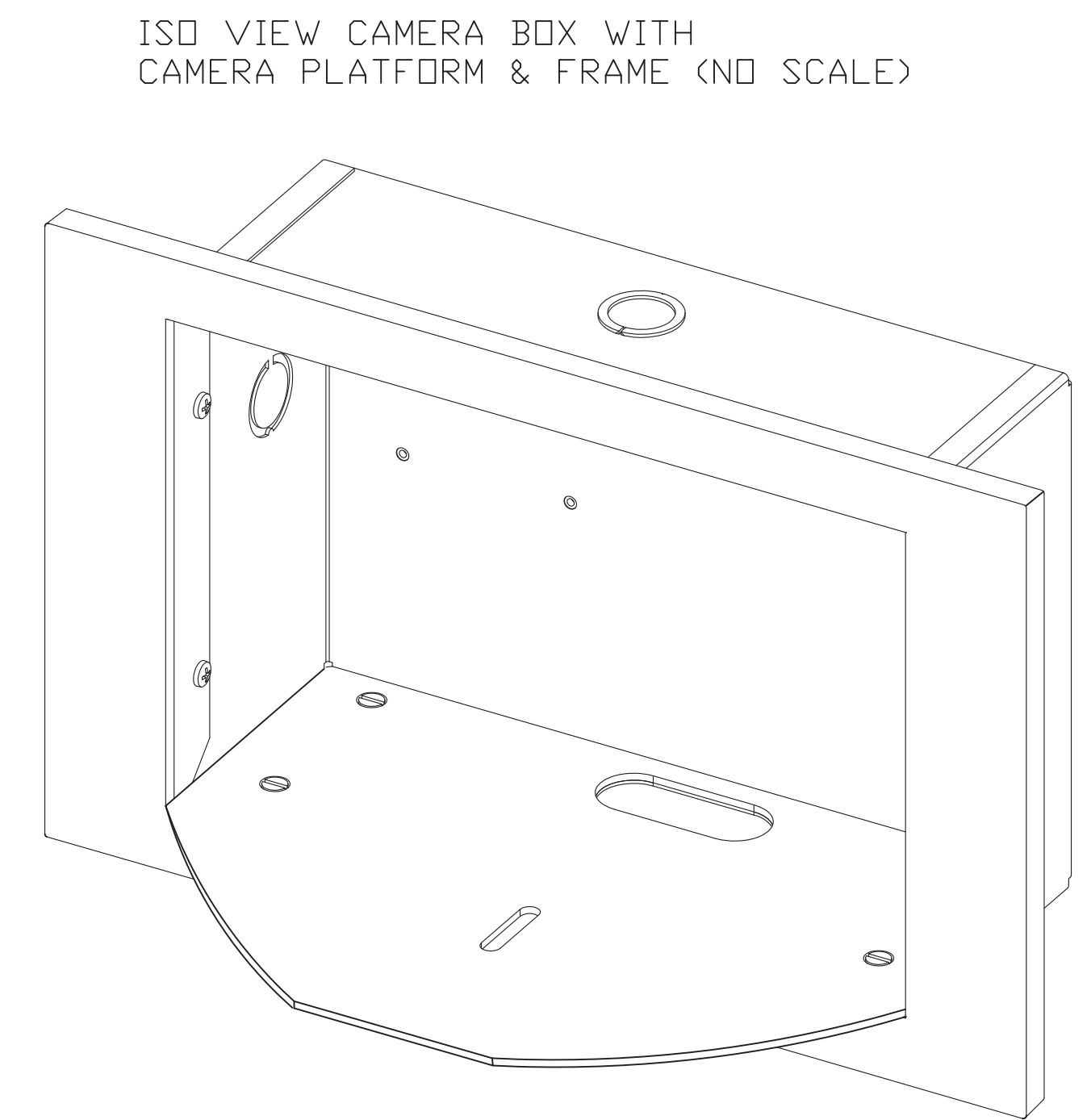
CAMERA PLATFORM TOP AND SIDE VIEWS  
(12 GAUGE CRS)



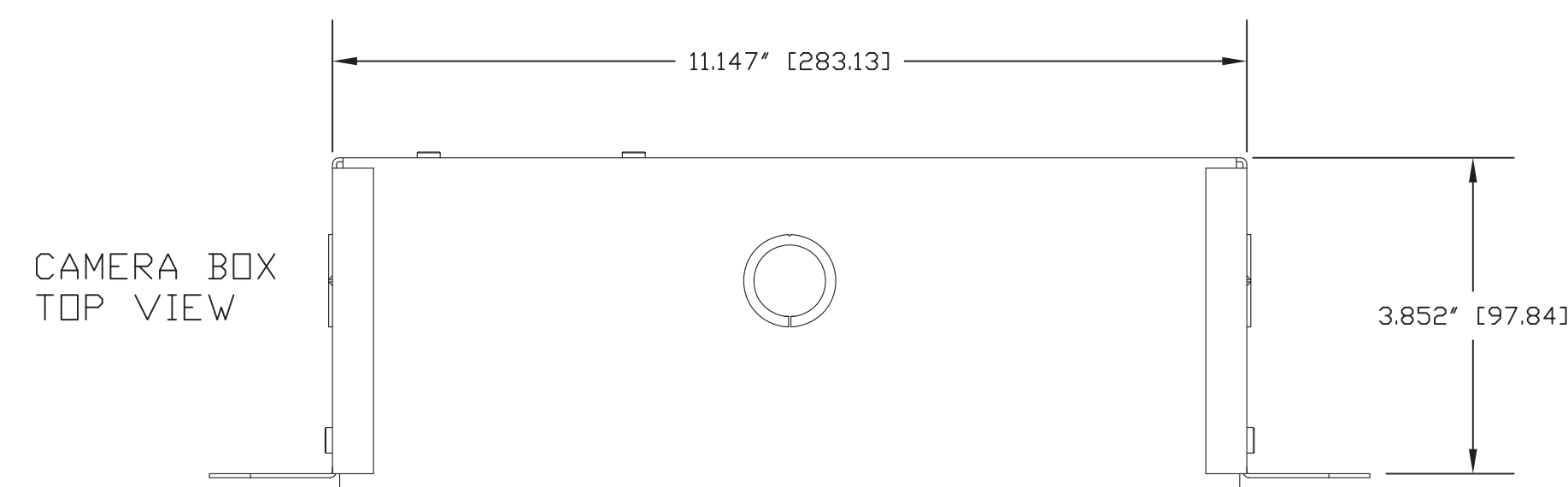
FACE FRAME  
ISO/REAR VIEW  
(NO SCALE)



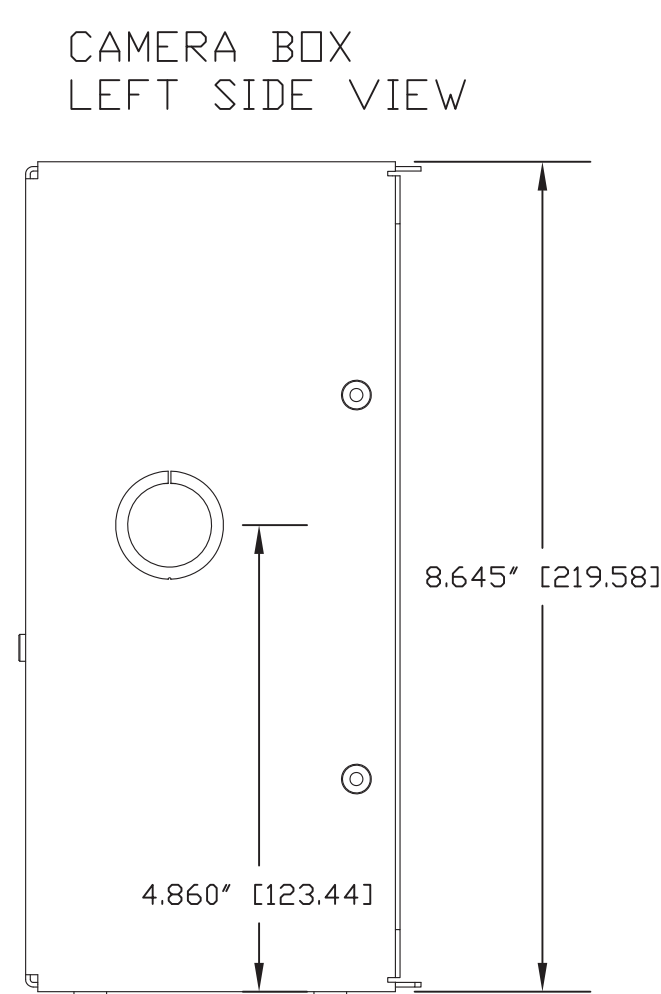
ISO VIEW CAMERA BOX  
(NO SCALE)



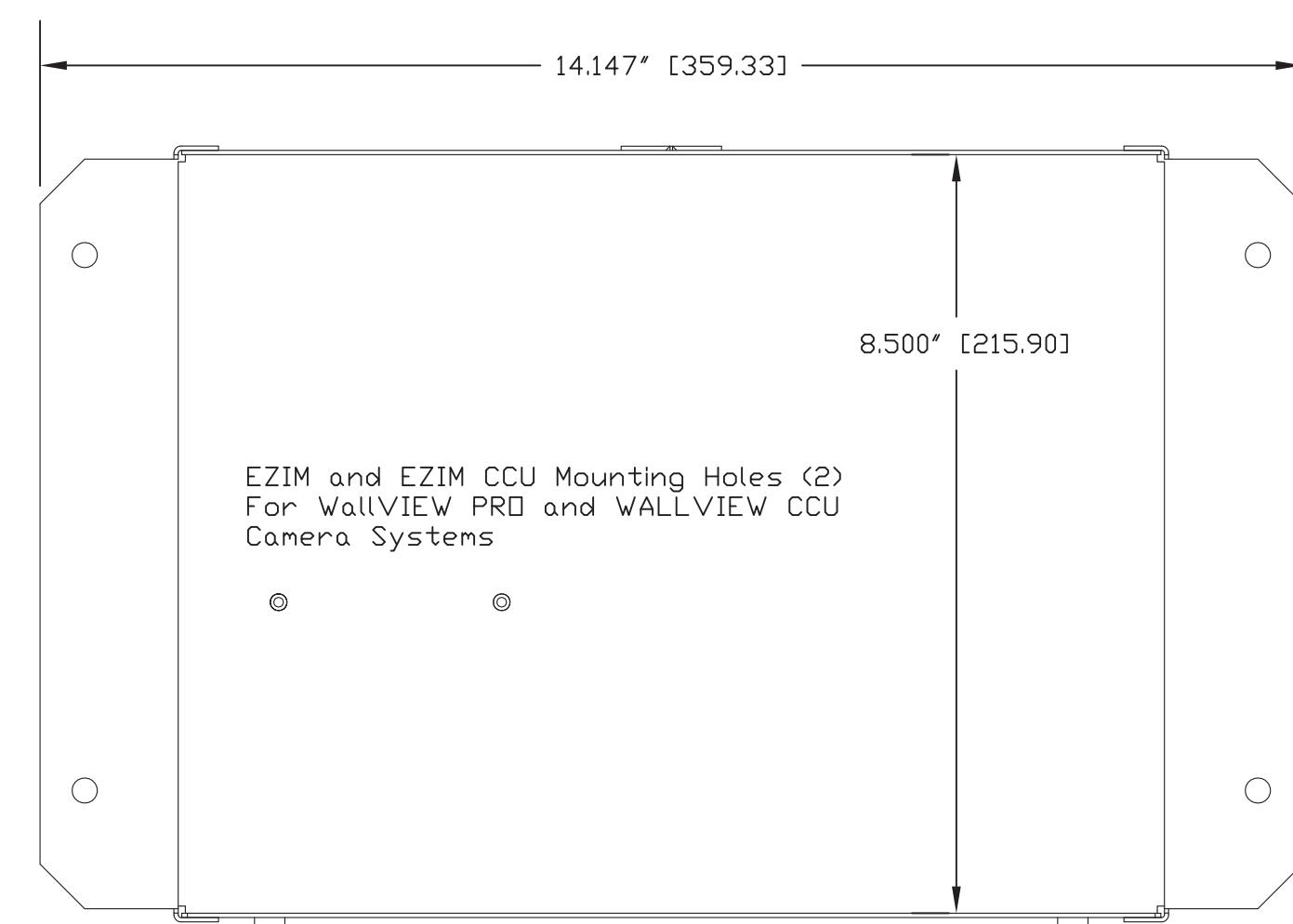
ISO VIEW CAMERA BOX WITH  
CAMERA PLATFORM & FRAME (NO SCALE)



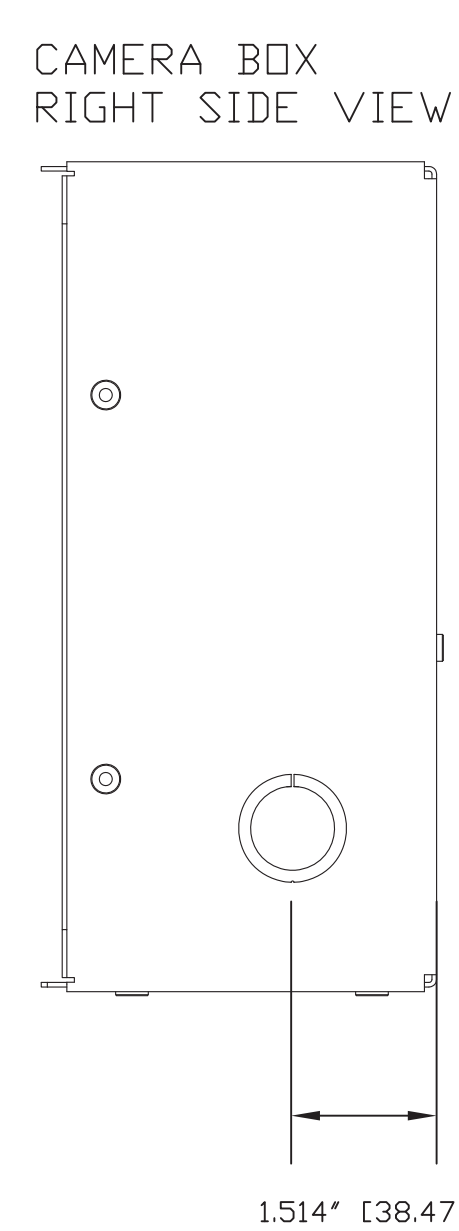
CAMERA BOX  
TOP VIEW



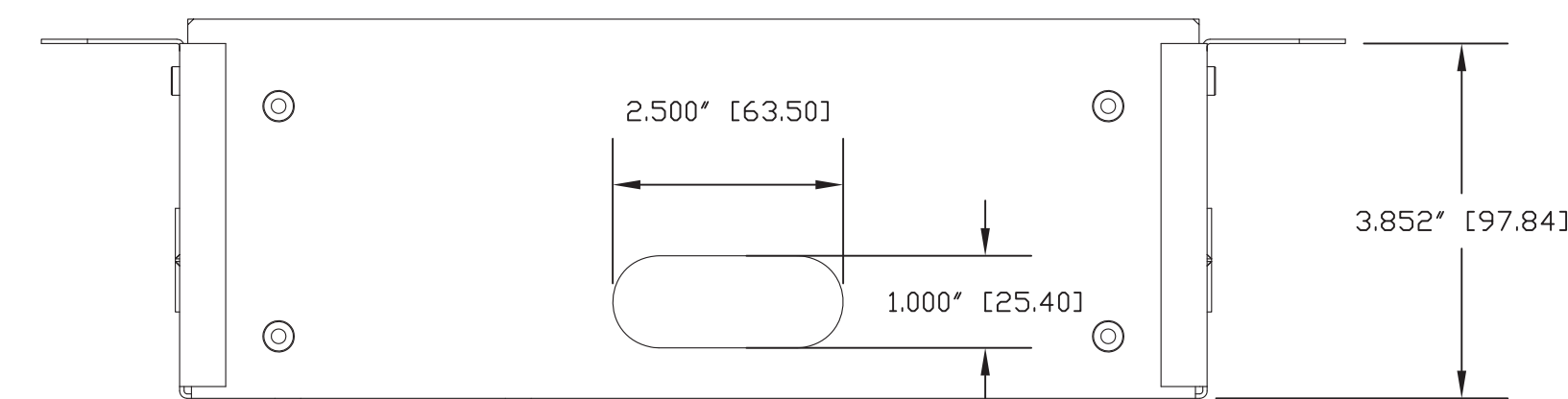
CAMERA BOX  
LEFT SIDE VIEW



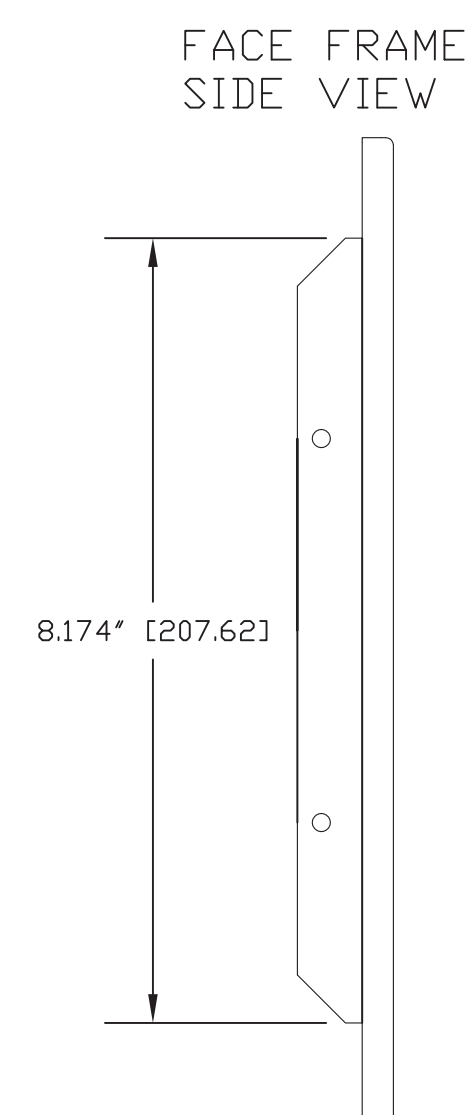
CAMERA BOX FRONT VIEW



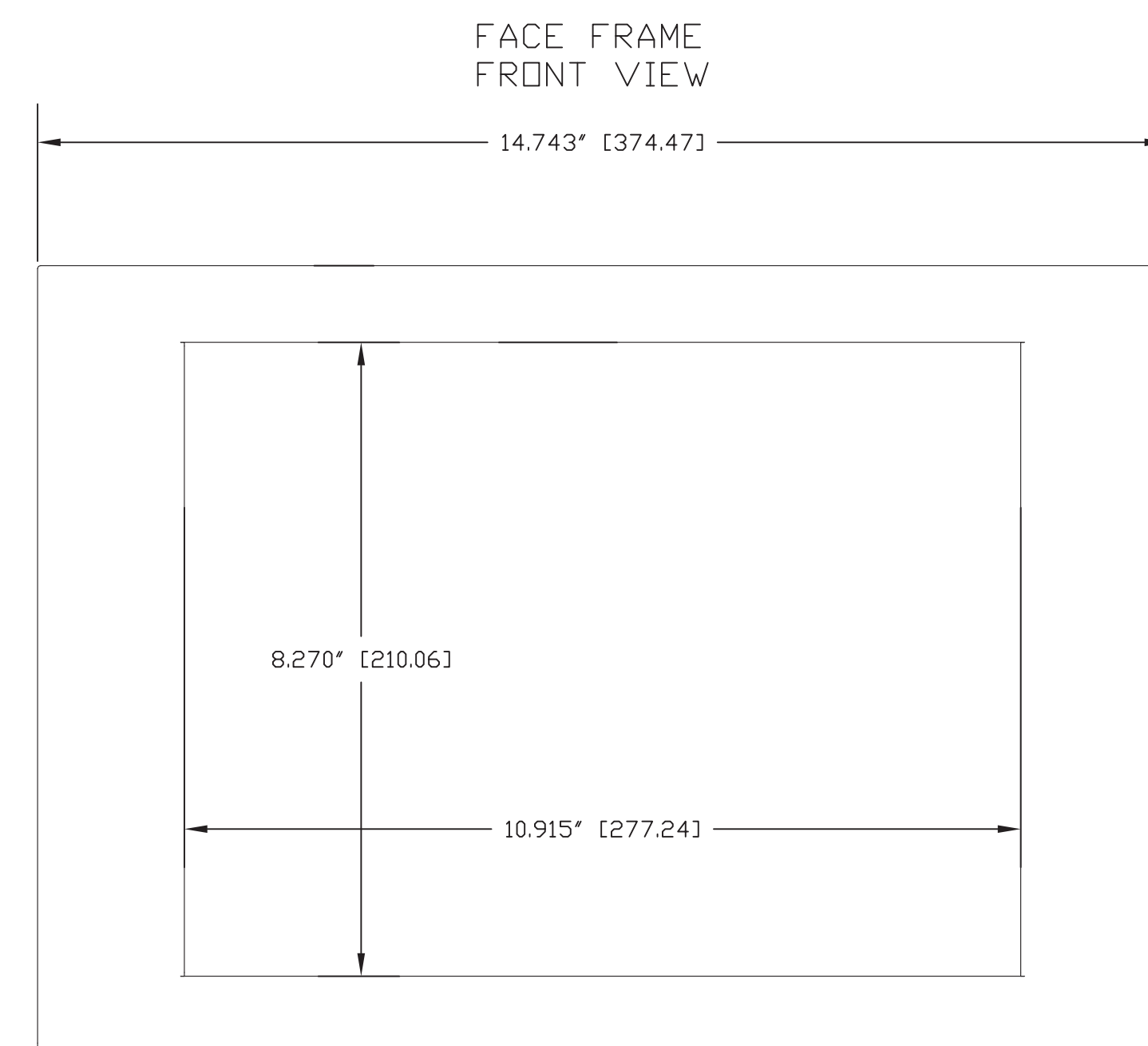
CAMERA BOX  
RIGHT SIDE VIEW



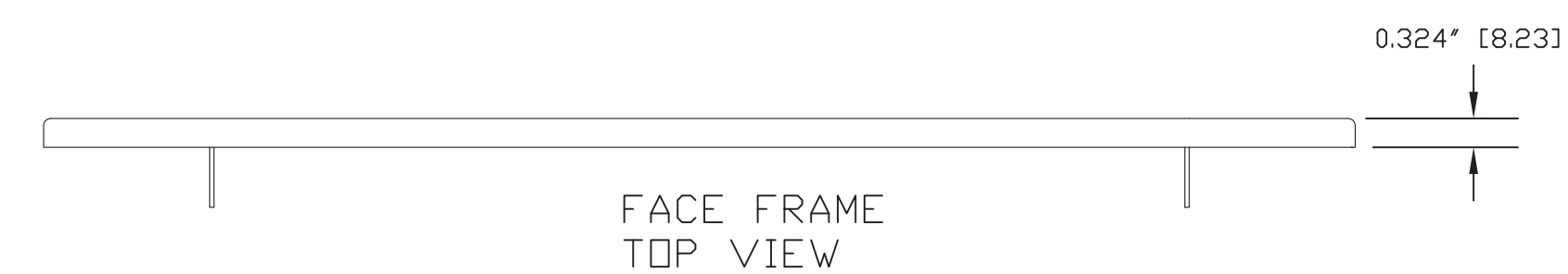
CAMERA BOX BOTTOM VIEW



FACE FRAME  
SIDE VIEW



FACE FRAME  
FRONT VIEW



FACE FRAME  
TOP VIEW

		<small>GENERAL NOTES: DIMENSIONS ARE IN INCHES (mm) UNLESS OTHERWISE NOTED. DO NOT DISTRIBUTE WITHOUT EXPRESS WRITTEN PERMISSION OF VADDIO. DUE TO OUR CONTINUING EFFORTS TO ENHANCE OUR PRODUCTS, WE RESERVE THE RIGHT TO CHANGE SPECIFICATIONS WITHOUT PRIOR NOTICE OR OBLIGATION.</small>	
		IN-Wall Mount for Life Size 10X PTZ Camera	
Vaddio PART NUMBER 999-2225-220 (BOX, FRAME & PLATFORM)			
<small>DRAWN</small> RAR	<small>CHECKED</small> RAR	<small>APPROVED</small> RAR	<small>DATE</small> 06/19/2012
<small>THIS DRAWING, INCLUDING ALL SUBJECT MATTERS INDICATED THEREIN OR DERIVED THEREFROM, COMPRISES PROPRIETARY INFORMATION AND IS THE EXPRESS PROPERTY OF VADDIO. All Rights Reserved - Copyright 2008</small>			
<small>MATERIALS</small> CRS 18 GAUGE (BOX & FRAME) & 12 GAUGE (PLATFORM)	<small>SCALE</small> 1:2	<small>DRAWING No.</small> 2225-220	<small>REV</small> REV C
<small>FINISH</small> WHITE POWDERCOAT 20% GLOSS Vaddio 806-503	<small>SIZE</small> D		