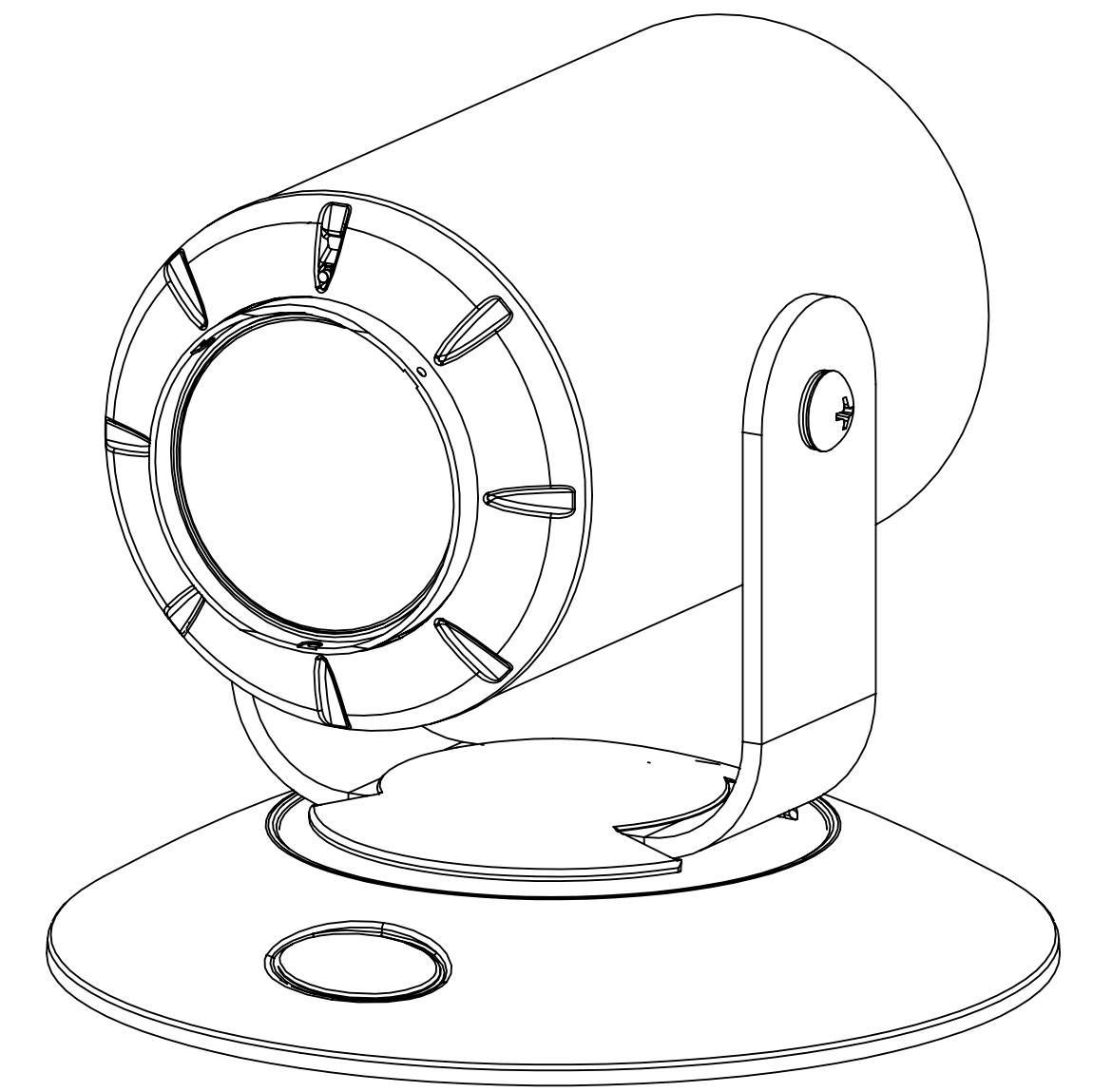
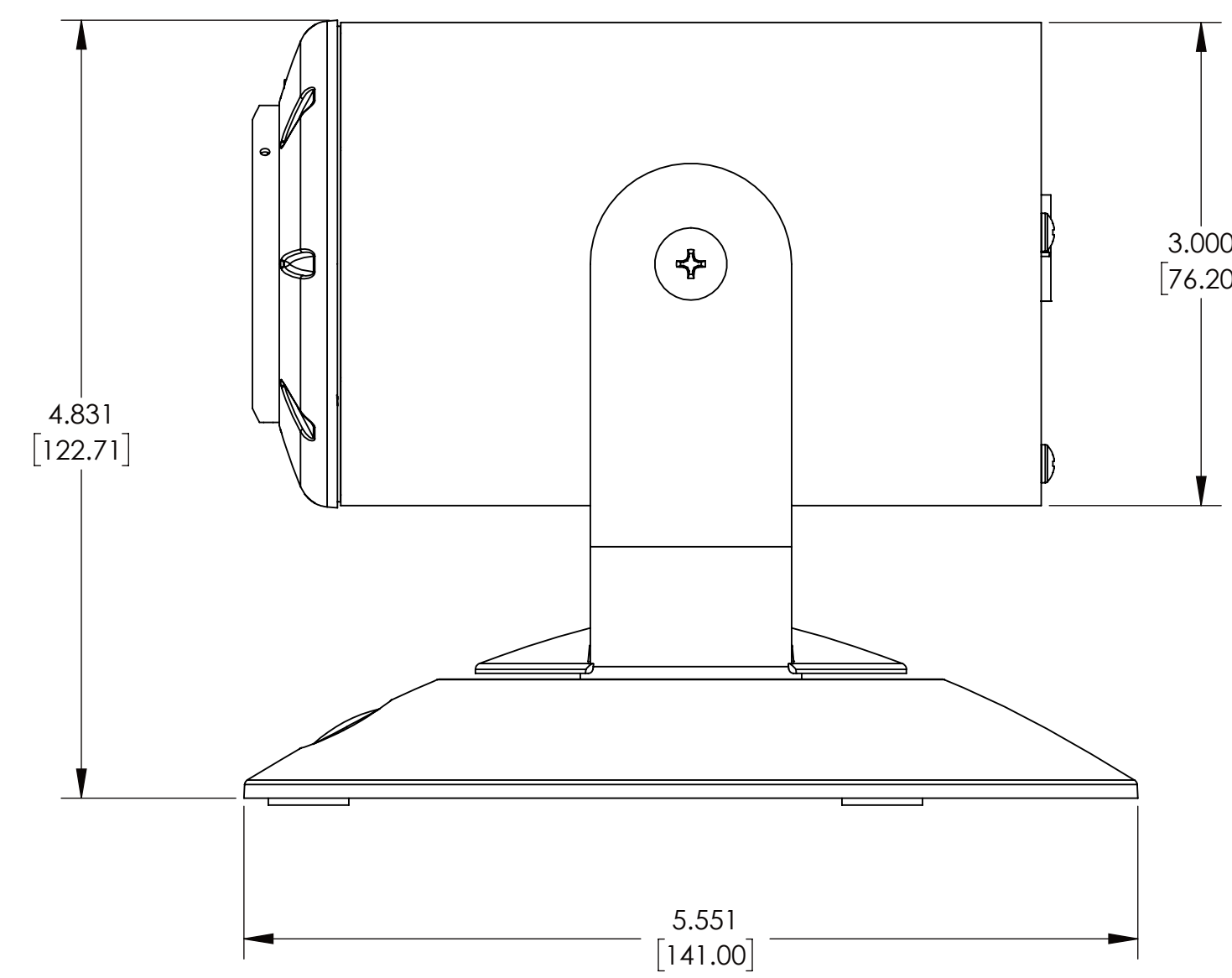


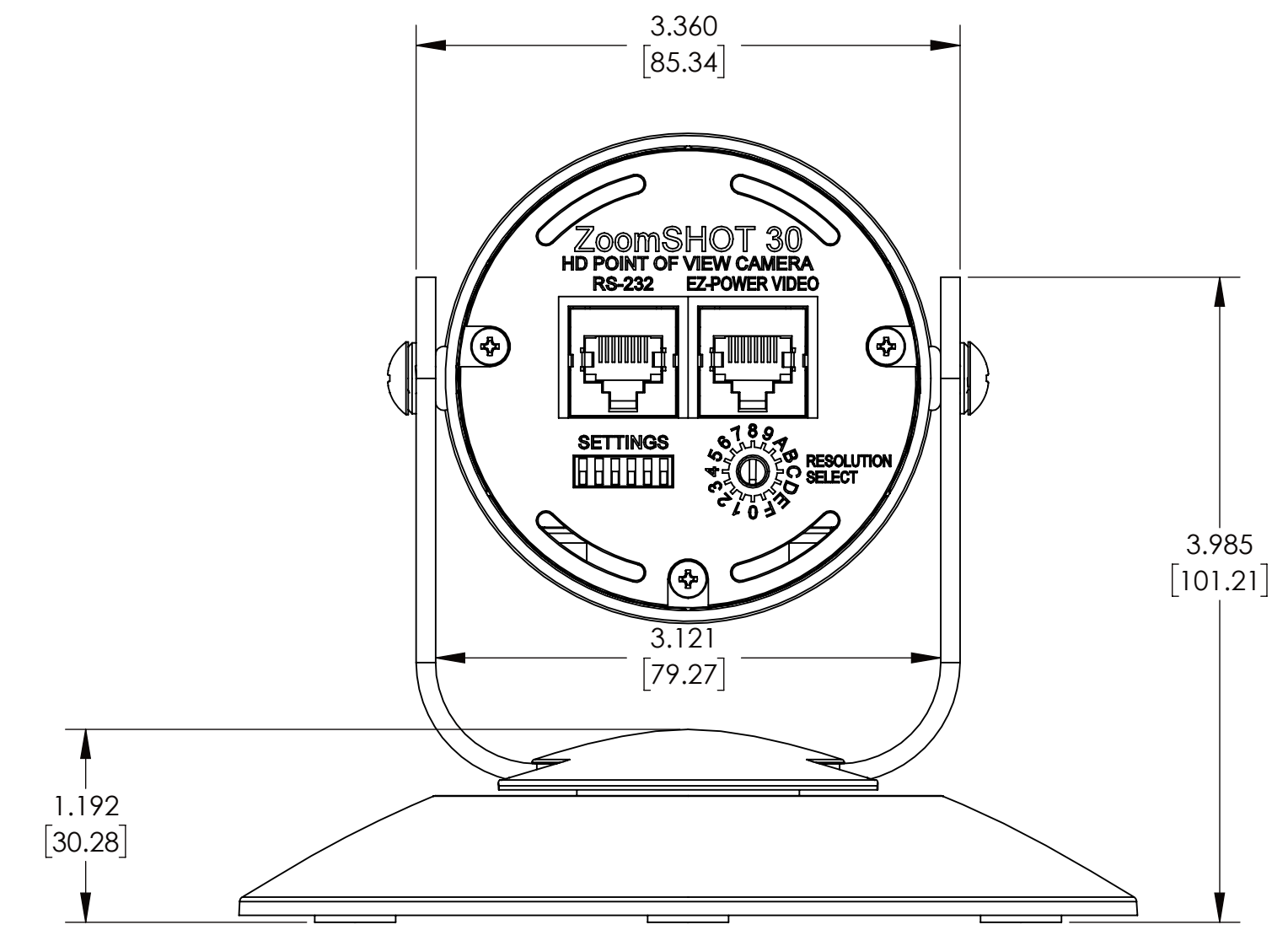
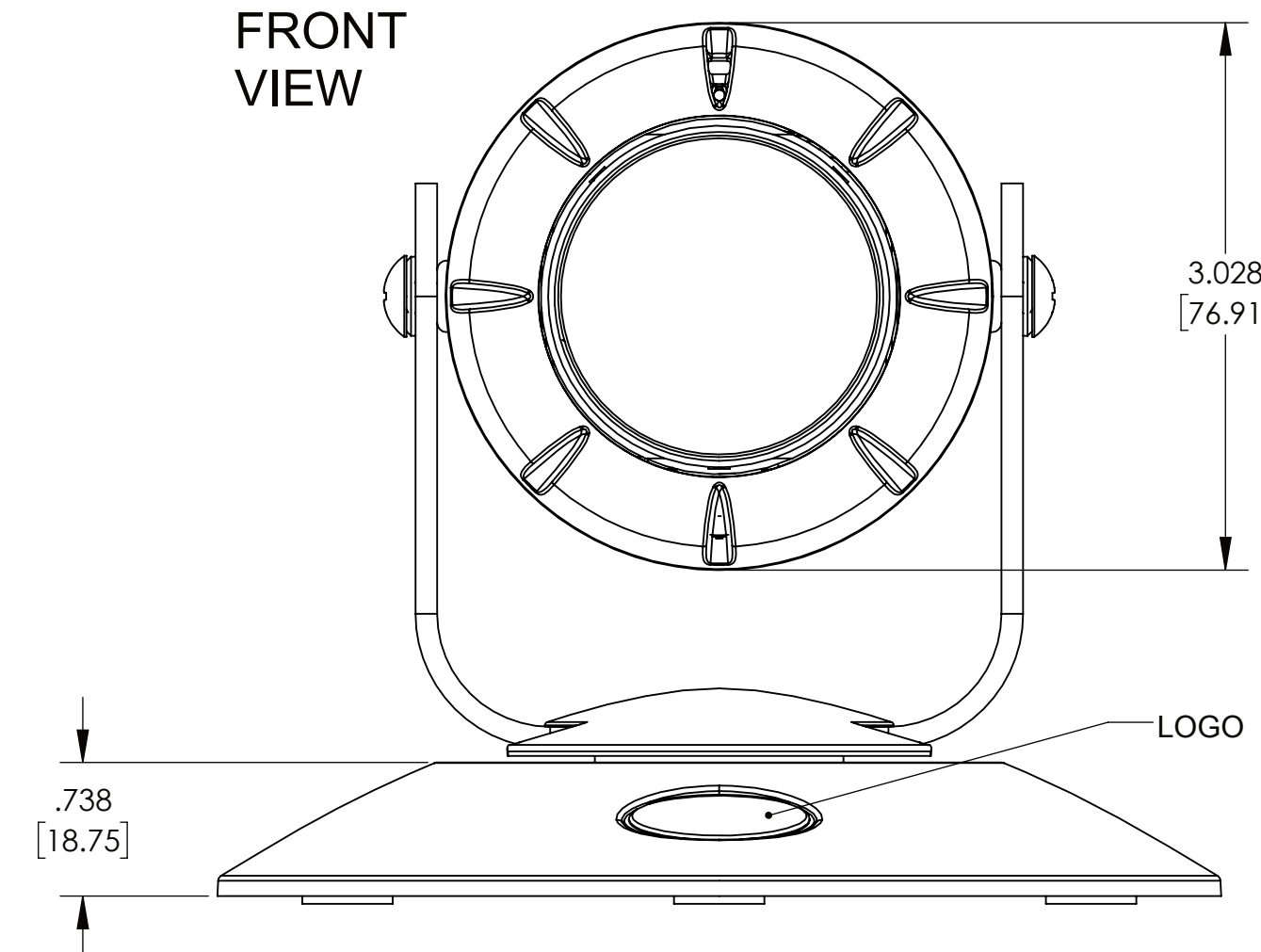
ISO VIEW
(NO SCALE)



SIDE VIEW

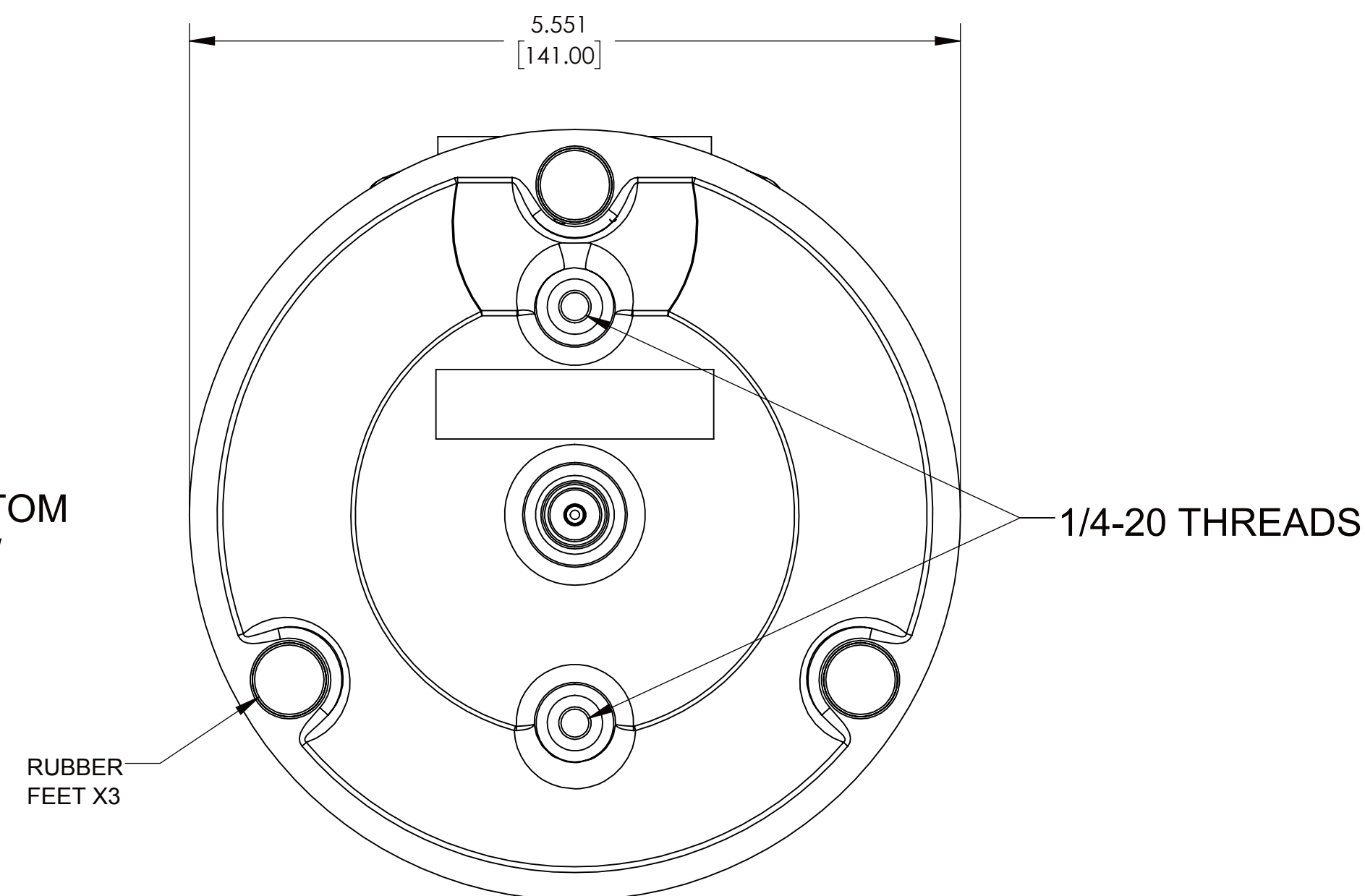


FRONT VIEW



REAR VIEW

BOTTOM VIEW



DRAWING NO.
6930-000

THIS DRAWING, INCLUDING ALL SUBJECT MATTERS INDICATED THEREON OR DERIVED THEREFROM, COMPRISES PROPRIETARY INFORMATION AND IS THE EXPRESS PROPERTY OF VADDIO LLC. EMPLOYMENT, REPRODUCTION OF OR DISSEMINATION OF THIS DRAWING, IN WHOLE OR IN PART, WITHOUT WRITTEN PERMISSION OF VADDIO LLC IS STRICTLY FORBIDDEN.

vaddio

DRAWN	CHECKED	APPROVED	DATE
WLF			12/19/18
MATERIAL	SIZE		D
VARIOUS	SCALE		1:1
FINISH	NONE		

DIMENSIONS ARE IN INCHES [mm]

TITLE	SHEET	DRAWING NO.	REV.
ZOOMSHOT 30, PN 998-6930-000 HD POINT OF VIEW CAMERA w/30X ZOOM	1 OF 1	6930-000	A