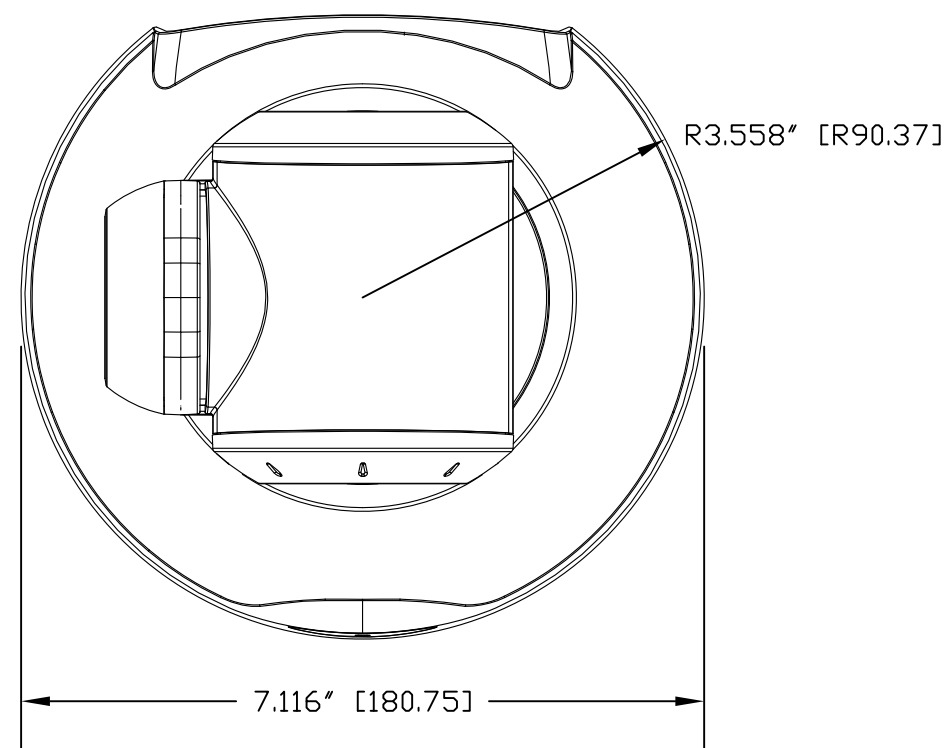
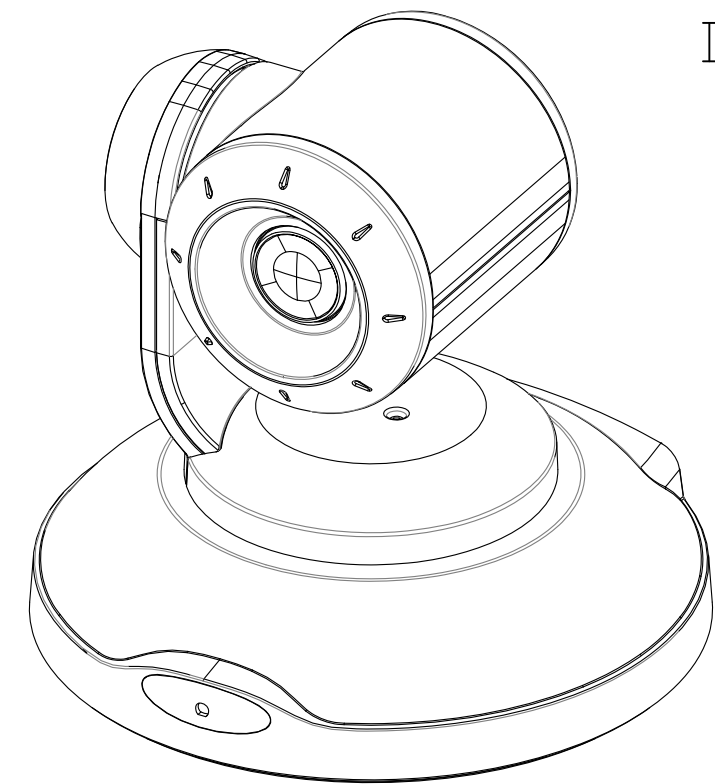


TOP VIEW

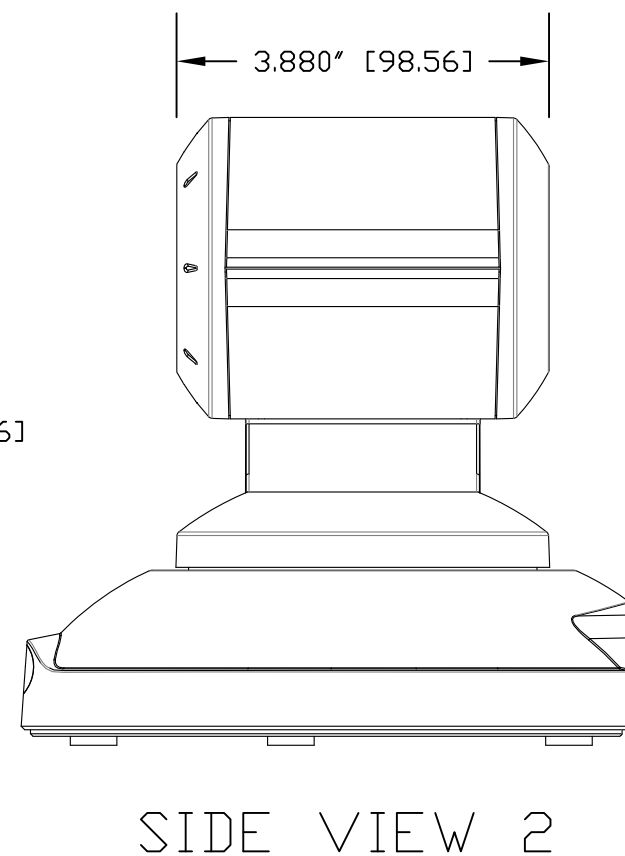
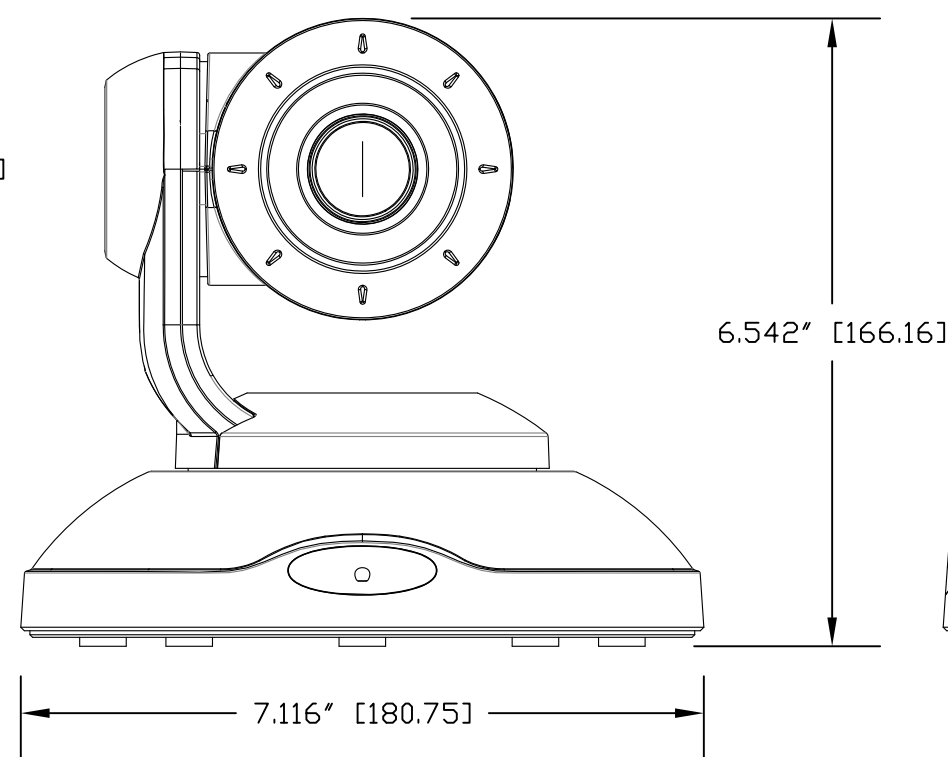
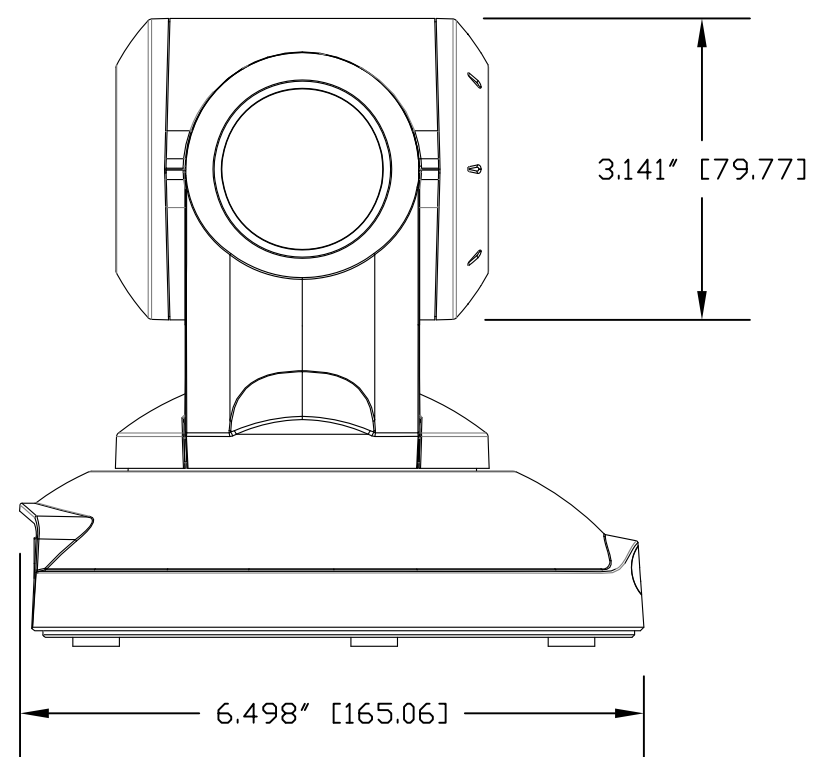


FRONT VIEW

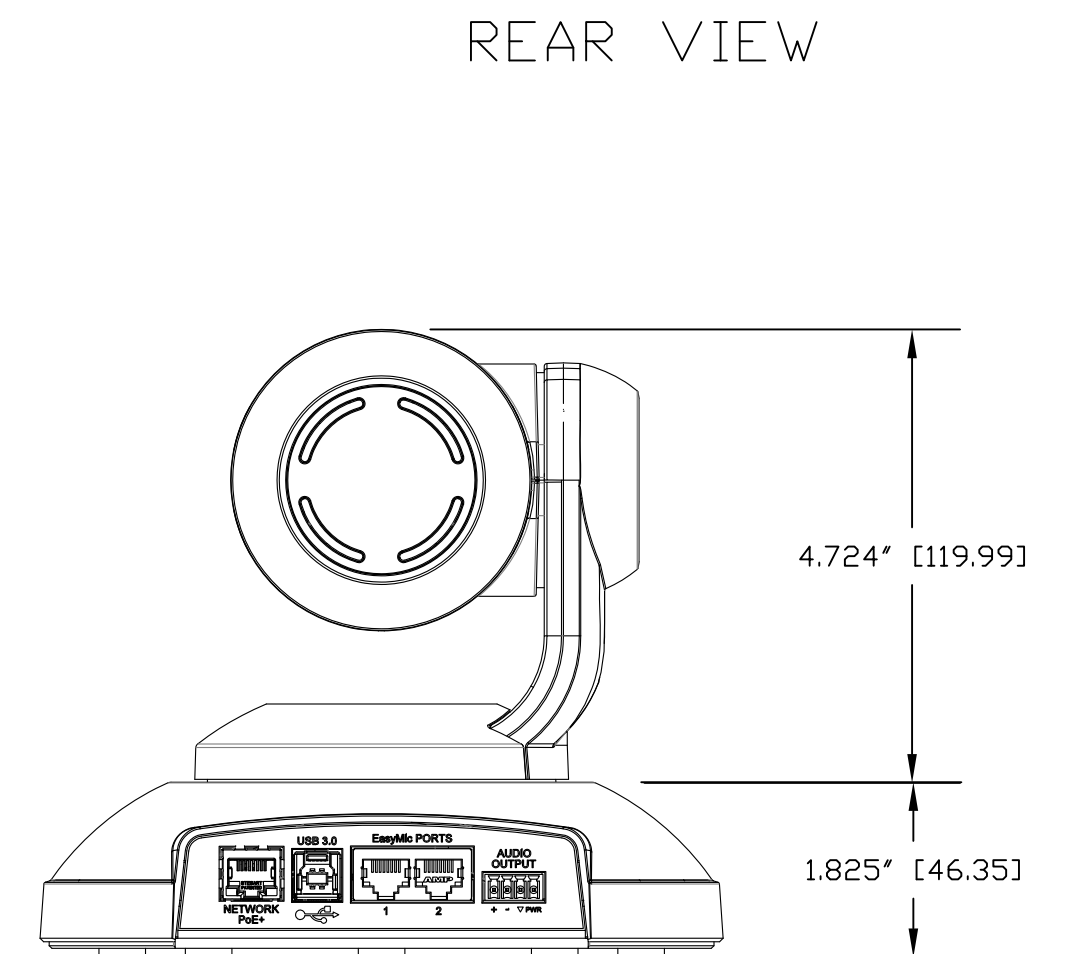


ISO VIEW

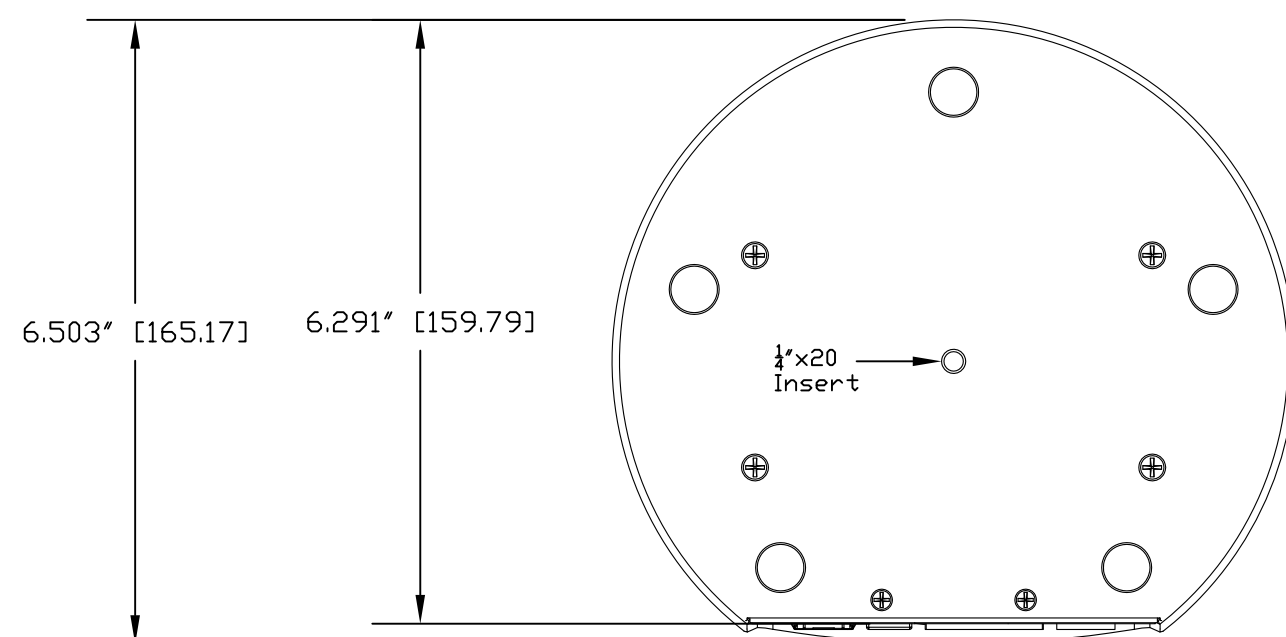
SIDE VIEW 1



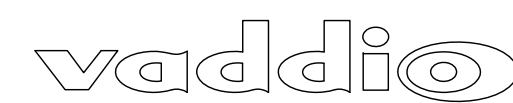
SIDE VIEW 2



REAR VIEW



BOTTOM VIEW



GENERAL NOTES:
DIMENSIONS ARE IN INCHES (mm) UNLESS OTHERWISE NOTED.
DO NOT DISTRIBUTE WITHOUT EXPRESS WRITTEN PERMISSION
OF VADDIO. DUE TO OUR CONTINUING EFFORTS TO ENHANCE
OUR PRODUCTS, WE RESERVE THE RIGHT TO CHANGE
SPECIFICATIONS WITHOUT PRIOR NOTICE OR OBLIGATION.

ConferenceSHOT AV

Camera PN: 998-9995-000 North America, 998-9995-001 Int'l and
998-9995-009 AUS/NZ

| | | | |
|------------------|---------|-----------------|-----------------------------------|
| DRAWN RAR/WLF | CHECKED | APPROVED RAR | DATE 09/20/2016 SD: 70186.7 |
|------------------|---------|-----------------|-----------------------------------|

THIS DRAWING, INCLUDING ALL SUBJECT MATTERS INDICATED THERON OR DERIVED THEREFROM, HERETOFORE,
CMPRISES PROPRIETARY INFORMATION AND IS THE EXPRESS PROPERTY OF VADDIO.
All Rights Reserved - Copyright 2016

| | | | |
|---|--------------|-------------------------|--------------|
| MATERIALS Various | SCALE 1:2 | DRAWING No. 9995-000 | REV Rev A |
| COMMENTS Photonic Dampening Inhibitor (PDI) - Not Included | SIZE C | | |