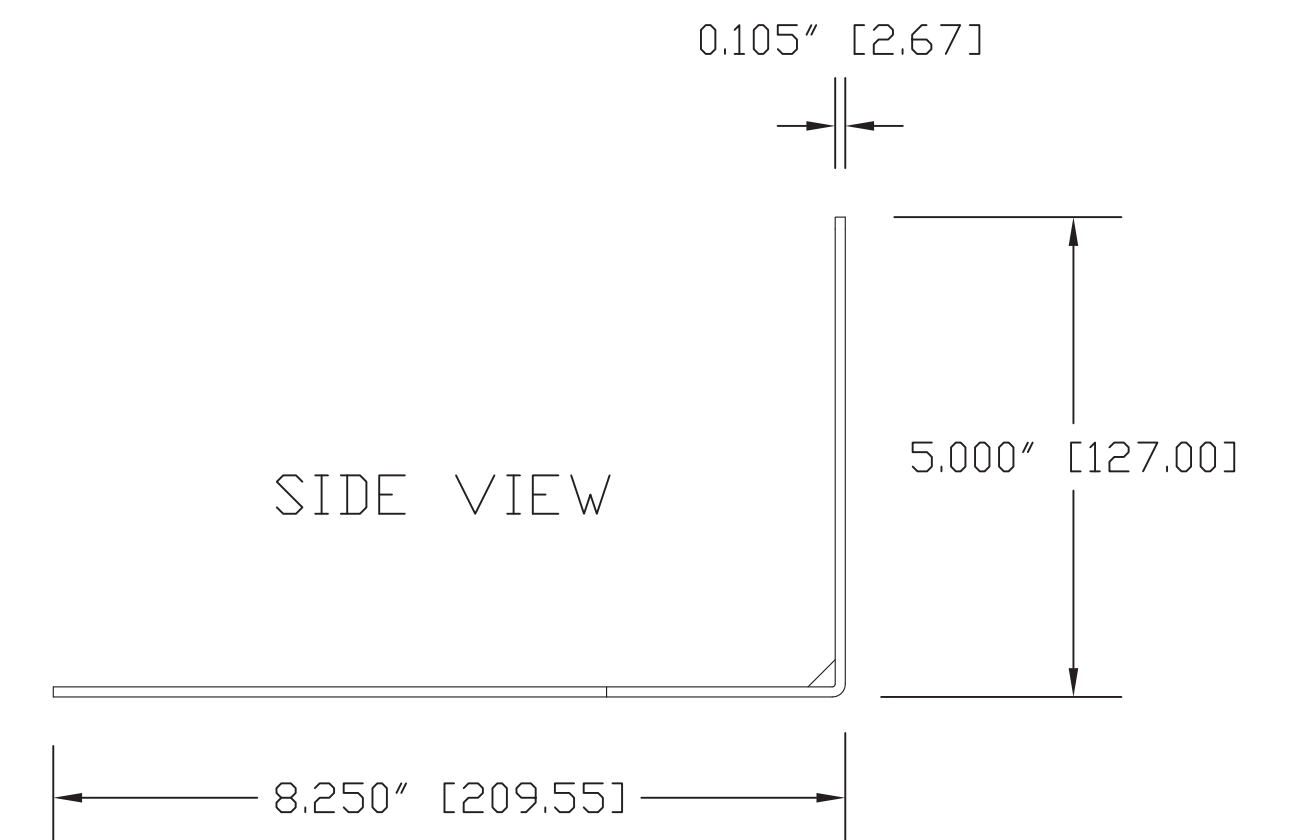
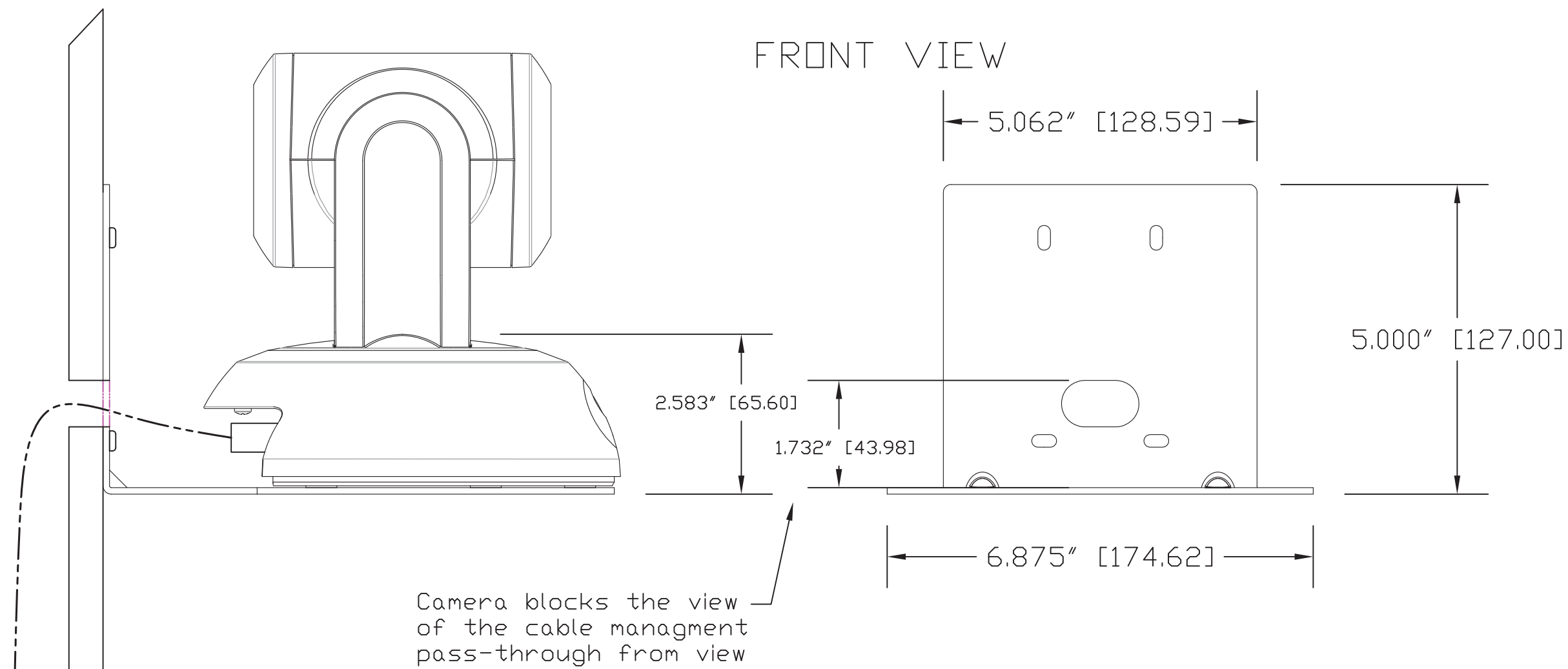
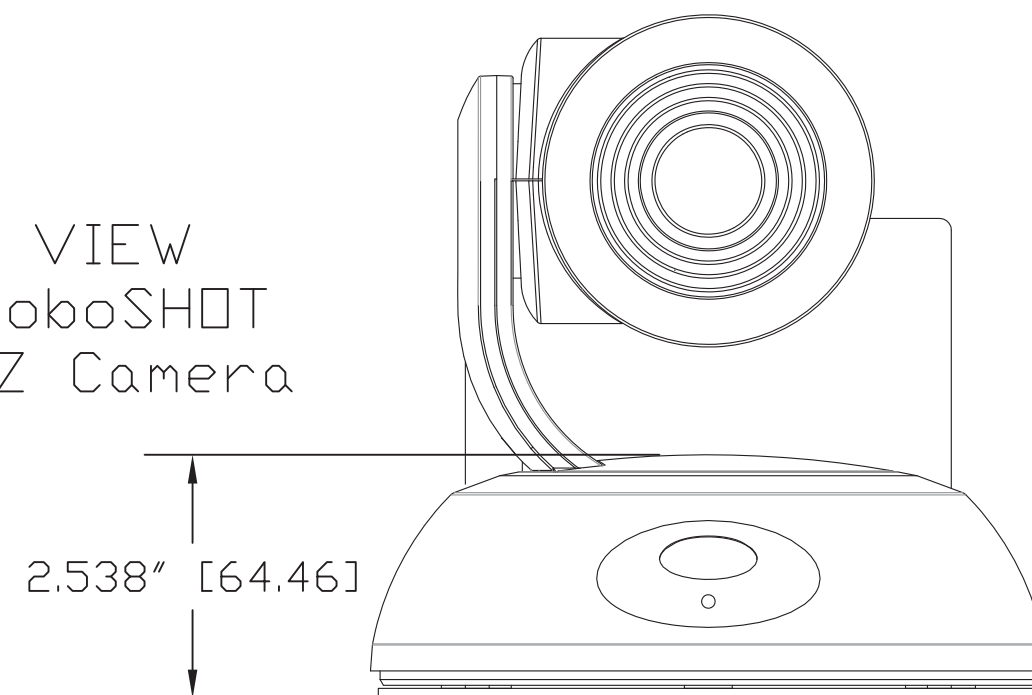


SIDE VIEW
with RoboSHOT
HD PTZ Camera



FRONT VIEW
with RoboSHOT
HD PTZ Camera



		GENERAL NOTES: DIMENSIONS ARE IN INCHES (mm) UNLESS OTHERWISE NOTED. DO NOT DISTRIBUTE WITHOUT EXPRESS WRITTEN PERMISSION OF VADDIO. DUE TO OUR CONTINUING EFFORTS TO ENHANCE OUR PRODUCTS, WE RESERVE THE RIGHT TO CHANGE SPECIFICATIONS WITHOUT PRIOR NOTICE OR OBLIGATION.	
		Thin Profile Mount for RoboSHOT Cameras	
Mount PN: 535-2000-240			
DRAWN RAR/SR	CHECKED	APPROVED RAR	DATE 10/06/2014 SD: 68228.9
THIS DRAWING, INCLUDING ALL SUBJECT MATTERS INDICATED THERON OR DERIVED THEREFROM, HERETOFORE, COMPRISES PROPRIETARY INFORMATION AND IS THE EXPRESS PROPERTY OF VADDIO. All Rights Reserved - Copyright 2014			
MATERIALS CRS 12-GAUGE PowderCoat C241-BK303		SCALE 1:2	DRAWING No. 2000-240
COMMENTS Metallic Particle Regulator (MPR) - NOT INCLUDED		SIZE ANSI C	REV Rev A