



**TELEDYNE LECROY**  
Everywhereyoulook™



## **Operator's Manual**

ZS1000, ZS1500, ZS2500  
High-Impedance,  
Active Probe



ZS1000, ZS1500, ZS2500  
High-Impedance Active Probes  
**Operator's Manual**





**TELEDYNE LECROY**  
Everywhereyoulook™

© 2014 Teledyne LeCroy, Inc. All rights reserved.

Unauthorized duplication of Teledyne LeCroy documentation materials other than for internal sales and distribution purposes is strictly prohibited. However, clients are encouraged to distribute and duplicate Teledyne LeCroy documentation for their own internal educational purposes.

WaveSurfer, WaveRunner, WavePro, WaveMaster and Teledyne LeCroy are registered trademarks of Teledyne LeCroy, Inc. Windows is a registered trademark of Microsoft Corporation. Other product or brand names are trademarks or requested trademarks of their respective holders. Information in this publication supersedes all earlier versions. Specifications are subject to change without notice.

## **Warranty**

Teledyne Lecroy warrants this oscilloscope accessory for normal use and operation within specification for a period of one year from the date of shipment. Spare parts, replacement parts and repairs are warranted for 90 days.

In exercising its warranty, Teledyne LeCroy, at its option, will either repair or replace any assembly returned within its warranty period to the Customer Service Department or an authorized service center. However, this will be done only if the product is determined by Teledyne LeCroy's examination to be defective due to workmanship or materials, and the defect is not caused by misuse, neglect, accident, abnormal conditions of operation, or damage resulting from attempted repair or modifications by a non-authorized service facility.

The customer will be responsible for the transportation and insurance charges for the return of products to the service facility. Teledyne LeCroy will return all products under warranty with transportation charges prepaid.

This warranty replaces all other warranties, expressed or implied, including but not limited to any implied warranty of merchantability, fitness or adequacy for any particular purposes or use. Teledyne LeCroy shall not be liable for any special, incidental, or consequential damages, whether in contract or otherwise.

924282-00

May, 2014

## TABLE OF CONTENTS

<b>Safety Instructions</b> .....	<b>1</b>
Symbols.....	1
Precautions .....	1
Operating Environment .....	2
<b>Introduction</b> .....	<b>2</b>
Key Benefits .....	2
Standard Accessories .....	3
<b>Features and Accessories</b> .....	<b>4</b>
Tips.....	5
Grounds.....	7
Leads.....	8
Grabbers .....	8
Probe Holder .....	9
<b>Probe Operation</b> .....	<b>9</b>
Handling the Probe .....	9
Connecting the Probe to an Oscilloscope.....	9
Operation with a Teledyne LeCroy Oscilloscope .....	10
Connecting the Probe to the Test Circuit .....	10
High Frequency Measurements .....	11
<b>Probe Impedance and Equivalent Circuit</b> .....	<b>14</b>
ZS1x00 Impedance .....	14
ZS1x00 Equivalent Circuit.....	14
ZS2500 Impedance.....	15
ZS2500 Equivalent Circuit.....	15

# ZS Series High-Impedance, Active Probes

---

<b>Care and Maintenance</b> .....	<b>16</b>
Cleaning .....	16
Calibration Interval .....	16
Service Strategy .....	16
Returning a Probe for Calibration or Service .....	16
Replacement Parts .....	18
<b>Performance Verification</b> .....	<b>18</b>
Required Test Equipment.....	18
Preliminary Procedure .....	19
Functional Check.....	20
Verification Procedure .....	21
Performance Verification Test Record .....	24
<b>Reference Material</b> .....	<b>26</b>
Specifications .....	26
Certifications.....	26
Contact Teledyne LeCroy.....	28

# Safety Instructions

This section contains instructions that must be observed to keep this oscilloscope accessory operating in a correct and safe condition. You are required to follow generally accepted safety procedures in addition to the precautions specified in this section. **The overall safety of any system incorporating this accessory is the responsibility of the assembler of the system.**

## Symbols

These symbols may appear on the probe body or in this manual to alert you to important safety considerations.



**CAUTION.** Potential for damage to probe or instrument it is connected to. Attend to the accompanying information to protect against personal injury or damage. Do not proceed until conditions are fully understood and met.



**ELECTROSTATIC DISCHARGE (ESD) HAZARD.** The probe is susceptible to damage if anti-static measures are not taken.



**DOUBLE INSULATION**

## Precautions

**Connect and disconnect properly.** Connect probe to the measurement instrument before connecting the test leads to a circuit/signal being tested.

**Use only within operational environment listed.** Do not use in wet or explosive atmospheres.

**Use indoors only.**

**Keep product surfaces clean and dry.**

**Be careful with sharp tips.** The tips may cause bodily injury if not handled properly.

**Do not operate with suspected failures.** Do not use the probe if any part is damaged. Cease operation immediately and sequester the probe from inadvertent use.

## Operating Environment

The accessory is intended for indoor use and should be operated in a clean, dry environment. Before using this product, ensure that its operating environment is maintained within these parameters:

**Temperature:** 5 to 40° C.

**Humidity:** Maximum relative humidity 80 % for temperatures up to 31 °C decreasing linearly to 50 % relative humidity at 40° C.

**Altitude:** Up to 10,000 ft (3,048 m).

## Introduction

The ZS1000, ZS1500, and ZS2500 are small, high impedance active probe designed to meet today's increasing demand for measurements on a variety of test points. With low input capacitance and high input resistance, circuit loading is minimized.

The ZS2500 can be used with Teledyne LeCroy's WaveSurfer, WaveRunner, WavePro and WaveMaster series platforms with firmware version 6.5.0.5 or later.

With the ProBus interface, the ZS1000, ZS1500, and ZS2500 become an integral part of the oscilloscope. The probe can be controlled from the oscilloscope's front panel. The oscilloscope provides power to the probe, so there is no need for a separate power supply or batteries.

## Key Benefits

- High frequency performance
- Low input capacitance
- Wide dynamic range
- ProBus interface



## Standard Accessories

The ZS1000, ZS1500, and ZS2500 probes are shipped with the following standard accessories:

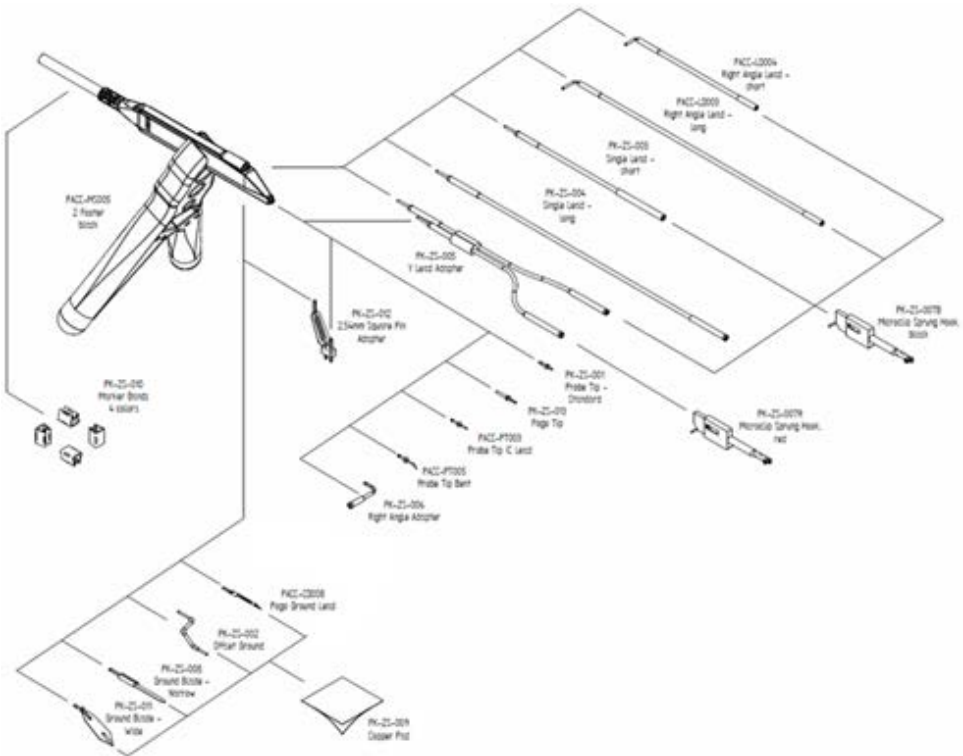
Standard Accessory	Quantity	Replacement Part Number
Straight Pin Lead – Short	1	PK-ZS-003
Straight Pin Lead – Long	1	PK-ZS-004
Right Angle Lead – Short	1	PACC-LD003
Right Angle Lead – Long	1	PACC-LD004
Y Lead Adapter	1	PK-ZS-005
Micro-Grabber Pair	1	PK-ZS-007R and PK-ZS-007B
Ground Blade – Wide	1	PK-ZS-011
Probe Tip – Standard	3	PK-ZS-001
Right Angle Socket	1	PK-ZS-006
Offset Ground – Z Lead	1	PK-ZS-002
Ground Blade – Narrow	1	PK-ZS-008
Copper Tape	2	PK-ZS-009
Pogo Tip	1	PK-ZS-013
2.54mm Square Pin Adapter	1	PK-ZS-012
Channel ID Clips (Set of 4 colors)	4	PK-ZS-010
Freehand Probe Holder	1	PACC-MS005
Bent Tip	1	PACC-PT005
IC Tip	1	PACC-PT003
Pogo Ground Lead	1	PACC-CD008
Instruction Manual	1	ZSSERIES-OM-E
Certificate of Calibration	1	ZS-CC

For part number information for standard and optional accessories refer to, Care and Maintenance, Replaceable Parts List.

## Features and Accessories

The ZS1000, ZS1500, and ZS2500s probes are provided with numerous features and accessories to make probing and connecting to different test points easier than ever.

- The small, low mass probe head is designed for ease of use and high performance.
- The probe tip socket fits easily onto 0.025 inch square pins for direct access to test points. Several different adapters are available which connect directly in the probe socket.
- The ground socket will accept several different ground leads to provide a short ground path for high frequency performance.



**ZS1000, ZS1500, ZS2500 Probe Exploded-View Diagram**

## Tips

### Straight Tip



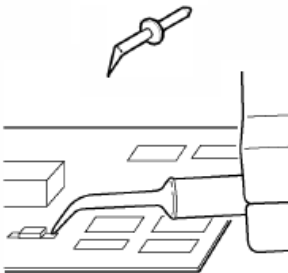
The straight tip is rugged and designed for general probing. Fits in either probe socket. (PK-ZS-001)

### IC Lead Tip



The IC Lead Tip is covered in insulation on all sides (except for a small edge), this tip was designed to prevent shorting neighboring IC leads. The gold part of the tip is not insulated and should touch the IC lead to be tested. It is one-size-fits-all and will work with any IC lead pitch. Fits in either probe socket. (PACC-PT003)

### Bent Tip



The Bent Tip is made out of titanium, this tip is ideal for situations that require the user to hold the probe parallel to the circuit board under test. Also gives you more control when holding the probe like a pencil. Fits in either probe socket. (PACC-PT005)

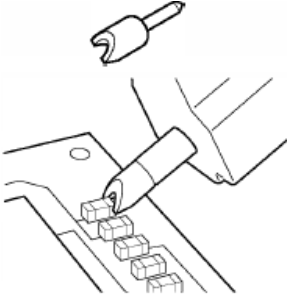
### Pogo Tip



The pogo tip provides z axis compliance. The tip can fit into a socket or via and onto an IC leg.

## Tips, continued

### Discrete SMD Tip



The crescent shape of this tip is designed to fit tightly on capacitors, resistors, transistors and other surface mount components with discrete leads. Fits in either probe socket.

### 2.54 mm Square Pin Adapter



2.54 mm Square Pin Adapter. The 2.54 mm square pin adapter fits into both the input and ground lead of the ZS probe for easy connection to standard 2.54 mm square pin spacing on a circuit board.

## Grounds

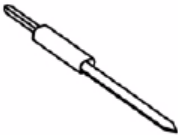
### Offset Ground



The offset pin is designed to be attached to either socket of the probe head. The offset pin is the highest quality grounding solution and is recommended in high frequency applications.

The offset ground is designed to connect to the ground socket and wrap around the probe head. This gives the ability to a probe signal and ground that are extremely close together. The short length provides high-quality grounding for high-frequency applications.

### Ground Blade (narrow) and Copper Pad



The Ground Blade and Copper Pad are intended to work together for the best grounding solution for probing an IC. The Ground Blade is designed to provide a short, low inductance ground path. The Copper Pad is adhesive backed to stick to the top of an IC, and can then be soldered to the IC ground.



### Ground Blade (wide)

The wide ground blade is ideal for use when the best quality ground is needed. The wide blade offers the minimal inductance compared to the narrow ground blade.



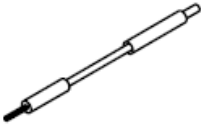
# ZS Series High-Impedance, Active Probes

---

## Leads

While longer leads provide greater flexibility when connecting the probe to a circuit, the added inductance may degrade the fidelity of high frequency signals. See Section 4 for additional information.

### Short and Long Straight Pin Lead



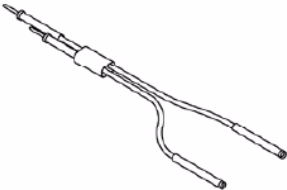
These leads have a socket on one end and a square pin on the other to connect to the input or ground socket of the probe body, and may be used for general purpose probing.

### Short and Long Right Angle Pin Lead



These leads have a socket on one end with a right angle and a square pin on the other to connect to the input or ground socket of the probe body, and may be used for general purpose probing.

### Y Lead Adapter



This lead is used for both ground and input lead simultaneously. It has two sockets on one end and two square pins on the other and may be used for general purpose probing.

## Grabbers

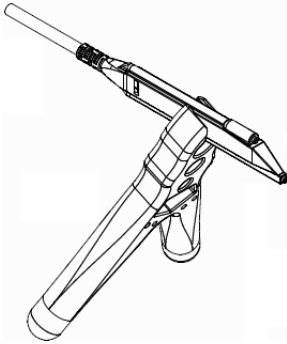
### Micro- and Mini-Grabbers



The micro-grabbers are ideal for connecting to small IC legs or pins very tightly spaced.

## Probe Holder

**Freehand Probe Holder** The *FreeHand* lets you focus on the oscilloscope screen instead of on maintaining contact to multiple test points. It allows the user to concentrate on what is really important – the waveform.



It is designed to keep most of the weight on the probe tip and will prevent lost contact when a bump to the table shakes the circuit under test.

## Probe Operation

### Handling the Probe

The ZS series probe is a precision test instrument. Exercise care when handling and storing the probe. Always handle the probe by the probe body or compensation box. Avoid putting excessive strain or exposing the probe cable to sharp bends.



**ESD Sensitive:** The tips of the probes are sensitive to Electrostatic Discharge (ESD). Avoid causing damage to the probe by always following anti-static procedures (wear wrist strap, etc.) when using or handling the probe.

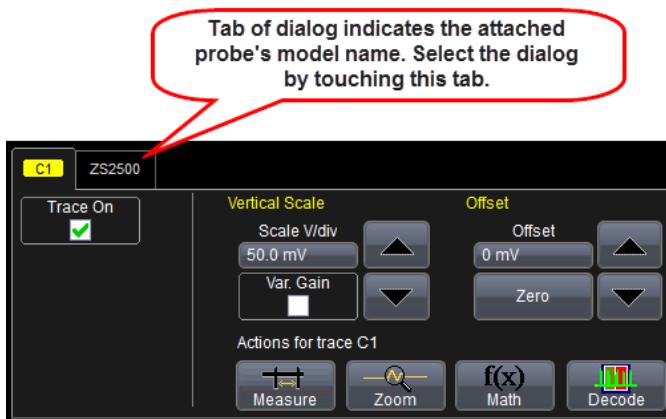
### Connecting the Probe to an Oscilloscope

The ZS1000, ZS1500, and ZS2500 probes have been designed for use with Teledyne LeCroy's WaveSurfer, WaveRunner, WavePro, and WaveMaster platforms equipped with the ProBus interface. When you attach the probe output connector to the oscilloscope's input connector, the oscilloscope recognizes the probe, provides proper termination and activates the probe control functions in the user interface.

## ZS Series High-Impedance, Active Probes

### Operation with a Teledyne LeCroy Oscilloscope

When the ZS1000, ZS1500, or ZS2500 probe is connected to any compatible Teledyne LeCroy oscilloscope, the displayed scale factor and measurement values are automatically adjusted.



The probe can be controlled through the oscilloscope graphical user interface. When connected, a Probe dialog appears behind the corresponding channel dialog. Refer to your oscilloscope's manual for specific operation instructions.

Turning the **Volts/Div** knob controls the oscilloscope's scale factor to give full available dynamic range up to 2 V/div (16 V peak to peak). Turning the channel Offset knob controls the probe input offset circuit over its range of  $\pm 12$  V.

### Connecting the Probe to the Test Circuit

To maintain the high performance capability of the probe in measurement applications, care must be exercised in connecting the probe to the test circuit. Increasing the parasitic capacitance or inductance in the input paths may introduce a "ring" or slow the rise time of fast signals. Input leads which form a large loop area will pick up any radiated electromagnetic field which passes through the loop and may induce noise into the probe input.

Using one of the available accessories makes the ZS2500 probe with its small profile and low mass head ideally suited for applications in dense circuitry.



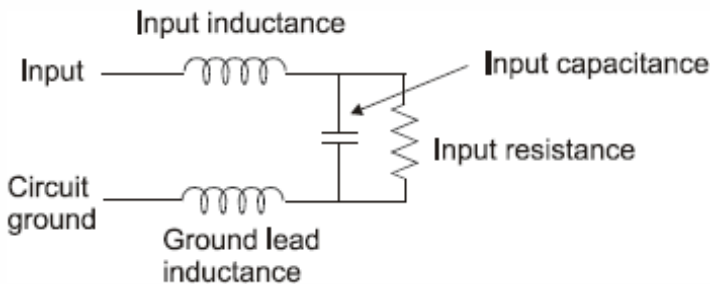
## High Frequency Measurements

### *Probe Input Loading*

When you touch a probe to the circuit under test, the probe will affect your measurement because of the probe's input impedance introduced into the circuit. All probes present resistive, capacitive and inductive loading.

### *Inductive Loading (Lead Length)*

A significant element in this circuit is the inductance shown in the input ground leads of the oscilloscope probe.



### ***Example probe input equivalent circuit. Actual diagrams p.14.***

The ground lead is the primary return path for the current resulting from the input voltage acting on the probe's input impedance. The ground lead and input lead inductances act with the probe's input capacitance to form series L-C network. The impedance of a series LC network drops dramatically at its resonant frequency. This is the cause of the "ring" we often see after the leading edge of pulses in measured waveforms.

This effect is referred to as ground lead corruption. Because it is impossible to eliminate either the L or C from this circuit, the method to improve waveform fidelity is to raise the resonant frequency beyond the bandwidth of interest in the measurement.

The resonant frequency of a simple LC circuit can be represented by:

$$F_{Resonance} = \frac{1}{2\pi\sqrt{LC}}$$

## ZS Series High-Impedance, Active Probes

---

The resonant frequency of a series LC circuit can be raised by decreasing the inductance, capacitance or both. Since the input capacitance is already very low and cannot be reduced, you can only try to reduce the inductance. This can be accomplished by using the shortest possible input lead as well as the shortest possible ground lead.

For example, to obtain the shortest possible ground lead when measuring IC related signals, attach a small piece of copper clad material to the top of the IC package and connect this to the package grounding wires.

Using the shortest ground lead and input lead available makes probing signals on the package easier and makes for the shortest lead length for the best signal fidelity. To illustrate how dramatic this effect is, we will work a simple example. Assuming an input capacitance of 0.9 pF and a total lead length (input and ground) of 2 inches (inductance of  $\approx 25$  nH/inch) such a setup may cause ringing with a resonant frequency ( $f_0$ ) of:

$$f_0 = \frac{1}{2\pi\sqrt{50 \times 10^{-9} \times 0.9 \times 10^{-12}}} = 750 \text{ MHz}$$

This frequency is well within the passband of the probe and therefore shows up as part of the measured signal at faster time/div settings. To determine how fast a waveform to be measured can be without causing ringing on a probe like this, divide the BW (ringing frequency) of the probe into 0.35:

$$t_{rise} = \frac{0.35}{BW} = \frac{0.35}{750 \text{ MHz}} = 0.47 \text{ ns}$$

Any input signal with a rise time faster than 0.47 ns can cause ringing.

### **Capacitive Loading**

Capacitive loading is usually the most troublesome of the three loading effects. It can affect the rise time, bandwidth and delay time measurements. At higher frequencies the capacitive loading can affect the amplitude as well as the waveshape of the measured signal by introducing an exponential response to the waveform.

For a simple RC network the time constant of this exponential response is:

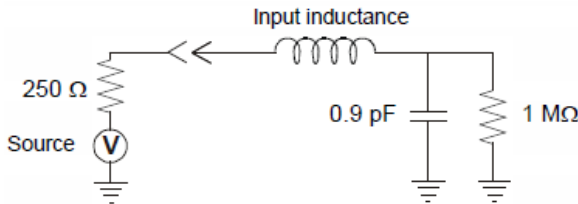
$$t_{rise} = 2.2 \times C_{total} \times R_{total}$$

Where  $C_{total}$  is the combined probe and circuit capacitance and  $R_{total}$  is combined circuit and probe resistance.

For a setup where  $C_t = 0.9$  pF and a source resistance is  $250 \Omega$ , the measured rise time will be  $0.495$  ns, which will correspond to a bandwidth of  $909$  MHz, assuming no inductive loads.

$$t_{rise} = 2.2 \times 0.9 \times 10^{-12} \times 250 \Omega = 0.495 \text{ ns}$$

Parallel combination of  $250 \Omega$  and  $1 \text{ M}\Omega$  is still  $250 \Omega$



**Example Probe input equivalent circuit. Actual diagrams p.14.**

To illustrate the effect of capacitive loading at higher frequencies:

At a frequency of  $750$  MHz the reactance of the  $0.9$  pF capacitance is  $236 \Omega$ , and at  $1.0$  GHz the reactance has been lowered to  $177 \Omega$ .

If, at a given frequency, the source impedance is large with respect to the input impedance, a measurable reduction in the output signal amplitude may occur.

$$V_{out} = \frac{Z_{probe}}{Z_{probe} + Z_{source}} \times V_{in}$$

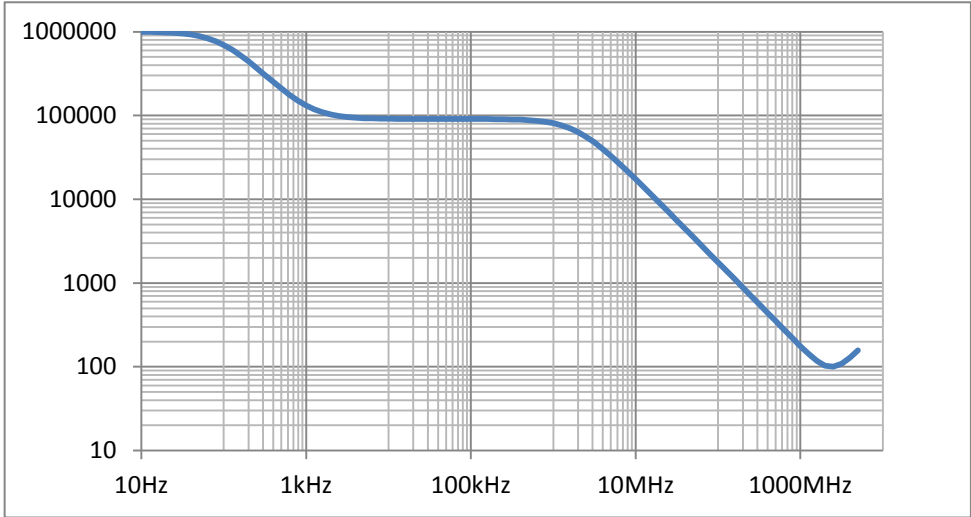
where  $Z_{probe}$  is the probe's input impedance and  $Z_{source}$  is the source impedance.

For example: At  $750$  MHz, where the probe input impedance has reduced to  $236 \Omega$ , and a source resistance of  $250 \Omega$  the probe output amplitude is reduced to:

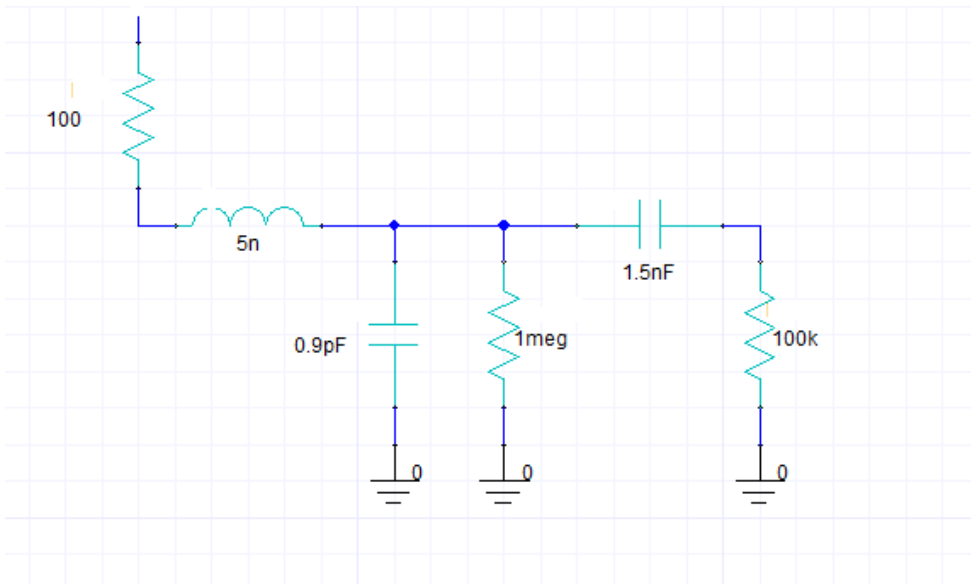
$$V_{out} = \frac{236}{236 + 250} = 0.49 \times V_{in}$$

# Probe Impedance and Equivalent Circuit

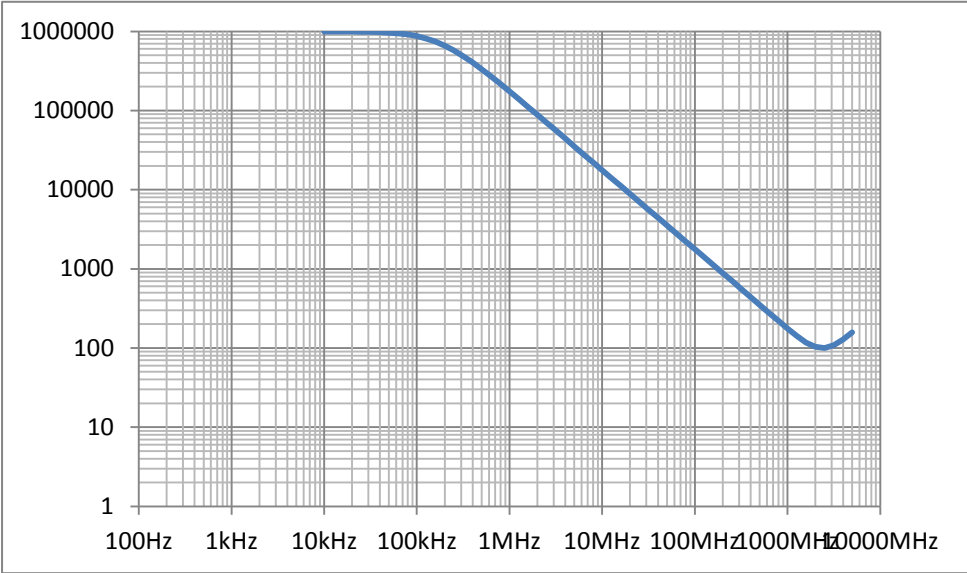
## ZS1x00 Impedance



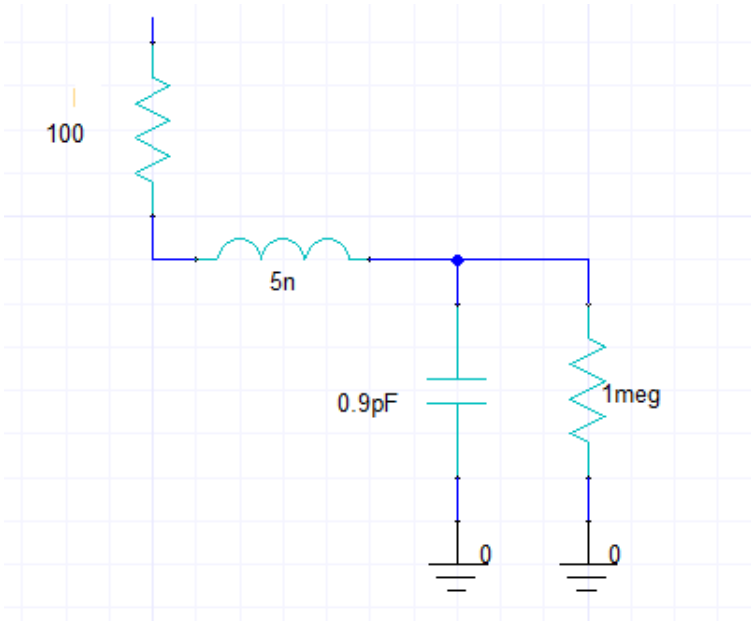
## ZS1x00 Equivalent Circuit



# ZS2500 Impedance



# ZS2500 Equivalent Circuit



# Care and Maintenance

## Cleaning

The exterior of the probe and cable should be cleaned, using a soft cloth moistened with water. The use of abrasive agents, strong detergents, or other solvents may damage the probe. Always ensure that the input leads are free of debris.



**CAUTION.** The probe case is not sealed and should never be immersed in any fluid.

## Calibration Interval

The recommended calibration interval is one year from the time the probe is put into service.

## Service Strategy

The ZS1000, ZS1500, and ZS2500 probes utilize fine pitch surface mount devices. It is therefore impractical to attempt to repair in the field. Defective probes must be returned to a Teledyne LeCroy service facility for diagnosis and exchange. Defective probes under warranty are repaired or replaced. A probe that is not under warranty can be exchanged for a factory refurbished probe for a modest fee. You must return the defective probe in order to receive credit for the probe core.

## Returning a Probe for Calibration or Service

Return a probe for calibration or service by contacting your local Teledyne LeCroy sales representative. They will tell you where to return the product. All returned products should be identified by both **model** and **serial number**. Provide your **name** and **contact number**, and a **description of the defect or failure** (if possible).

Products returned to the factory require a **Return Material Authorization (RMA)** acquired by contacting your nearest Teledyne LeCroy sales office, representative or the North America Customer Care Center.

**NOTE:** It is important that the RMA be clearly shown on the outside of the shipping package for prompt redirection to the appropriate department.

Return shipment should be prepaid. **Teledyne LeCroy cannot accept COD or Collect Return shipments.** We recommend air-freighting.

Follow these steps for a smooth product return.

1. Contact your local Teledyne Lecroy sales or service representative to obtain a Return Material Authorization.
2. Remove all accessories from the probe. Do not include the manual.
3. Pack the probe in its case, surrounded by the original packing material (or equivalent) and box.
4. Label the case with a tag containing
  - The RMA
  - Name and address of the owner
  - Probe model and serial number
  - Description of failure
5. Package the probe case in a cardboard shipping box with adequate padding to avoid damage in transit.
6. Mark the outside of the box with the shipping address given to you by the Teledyne Lecroy representative; be sure to add the following:
  - ATTN: <RMA assigned by the Teledyne Lecroy representative>
  - FRAGILE
7. Insure the item for the replacement cost of the probe.
8. **If returning a probe to a different country, also:**
  - Mark shipments returned for service as a "Return of US manufactured goods for warranty repair/recalibration."
  - If there is a cost involved in the service, put the service cost in the value column and the replacement value of the probe in the body of the invoice marked "For insurance purposes only."
  - Be very specific as to the reason for shipment. Duties may have to be paid on the value of the service.

### Replacement Parts

The probe connection accessories and other common parts can be ordered through the North America Customer Care Centers. Refer to **Standard Accessories** table after the Introduction of this manual.

### Performance Verification

This procedure can be used to verify the warranted characteristics of the ZS1000, ZS1500, and ZS2500 High Impedance Active Probe.

The recommended calibration interval for the model ZS1000, ZS1500, and ZS2500 is one year. The complete performance verification procedure should be performed as the first step of annual calibration. Test results can be recorded on a photocopy of the Test Record provided in Appendix A at the end of the manual.

Performance verification can be completed without removing the probe covers or exposing the user to hazardous voltages. Adjustment should only be attempted if a parameter measured in the Performance Verification Procedure is outside the specification limits.

**NOTE:** Adjustment should only be performed by qualified personnel

This procedure tests the following specifications:

- Output Zero Voltage
- LF Attenuation Accuracy

### Required Test Equipment

The **Standard Accessories** table after the Introduction of this manual lists the test equipment and accessories (or their equivalents) that are required for performance verification of the ZS1000, ZS1500, and ZS2500 probes.

This procedure has been developed to minimize the number of calibrated test instruments required.

Only the parameters listed in boldface in the Minimum requirements column must be calibrated to the accuracy indicated.



Because the input and output connector types may vary on different brands and models of test instruments, additional adapters or cables may be required.

## List of Required Equipment

Description	Minimum Requirement	Test Equipment Examples
Digital Oscilloscope	ProBus Interface; Windows-based	Teledyne LeCroy WaveRunner WaveSurfer Xs
Digital Multimeter (DMM) with test probe leads	4.5 digit DC: 0.1% Accuracy AC: 0.1% Accuracy	Agilent Technologies 34401A Fluke 8842A-09
Function Generator	Sine Wave output amplitude adjustable to 14.14 Vp-p (5 Vrms) into 1 M $\Omega$ at 70 Hz	Agilent Technologies 33120A Stanford Research DS340
Power Supply	0-12 V, settable to 10 mV	HP E3611A
BNC Coaxial Cable (2 ea.)	Male to Male, 50 $\Omega$ , 36" Cable	Pomona 2249-C-36 Pomona 5697-36
BNC Tee Connector	Male to Dual Female	Pomona 3285
Calibration Fixture	ProBus Extender Cable	Teledyne LeCroy PROBUS-CF01
Terminator, Precision, BNC	50 $\Omega$ $\pm$ 0.05%	Teledyne LeCroy TERM-CF01
Banana Plug Adapter (2 ea.)	Female BNC to Dual Banana Plug	Pomona 1269
BNC to Mini-grabber	BNC Mail to Mini-grabber Cable, 36"	Pomona 5187-C-36

## Preliminary Procedure

1. Connect the ZS1000, ZS1500, or ZS2500 probe to the female end of the ProBus Extension Cable. Connect the male end of the ProBus Extension Cable to channel 1 of the oscilloscope.
2. Turn the oscilloscope on and allow at least 30 minutes warm-up time for the ZS1000, ZS1500, or ZS2500 and test equipment before performing the Verification Procedure.

## ZS Series High-Impedance, Active Probes

---

3. Turn on the other test equipment and allow them to warm up for the manufacturer's recommended timeframe.
4. While the instruments are reaching operating temperature, make a photocopy of the Performance Verification Test Record (located in Appendix A), and fill in the necessary data.
5. Select the channel to which the probe is connected. Set the oscilloscope scale factor to 20 mV/div.
6. Disconnect the ProBus Extender Cable from the oscilloscope. Verify that the scale factor changes from 20 mV/div to 2 mV/div.
7. Reconnect the ProBus extender Cable to the oscilloscope.

The warranted characteristics of the ZS1000, ZS1500, and ZS2500 are valid at any temperature within the Environmental Characteristics listed in the Specifications. However, some of the other test equipment used to verify the performance may have environmental limitations required to meet the accuracy needed for the procedure. Be sure that the ambient conditions meet the requirements of all the test instruments used in his procedure.

**NOTE:** The correct operation of the ZS2500 controls requires software version 6.5.0.5 or higher. The software version in the test oscilloscope can be verified by selecting **Utilities** → **Utilities Setup** → **Status** tab.

Contact your local Teledyne LeCroy representative or visit [teledynelecroy.com](http://teledynelecroy.com) if the software in your oscilloscope requires updating.

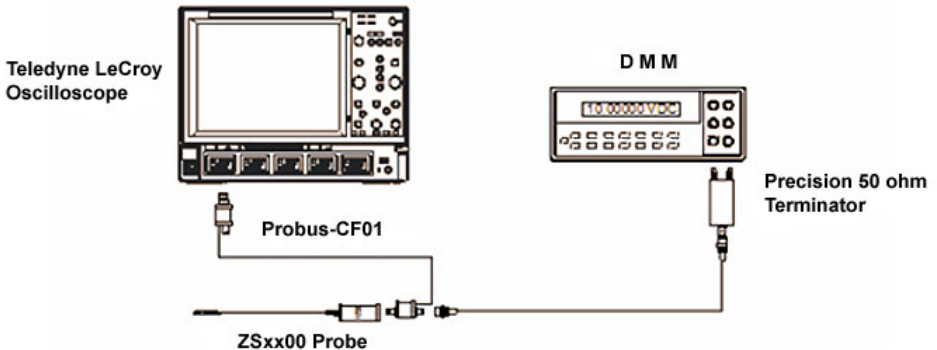
### Functional Check

The functional check verifies the basic operation of the probe functions. It is recommended that the Functional Check be performed prior to the Performance Verification Procedure.

1. Return to the factory default settings by:
  - Selecting **File** → **Recall Setup...** from the menu bar.
  - Then touch the **Recall Default** button.
2. Touch the **C1** trace label to open the **C1 Vertical Adjust** dialog.
3. Verify that the probe model is sensed and displayed on the Probe tab.

## Verification Procedure

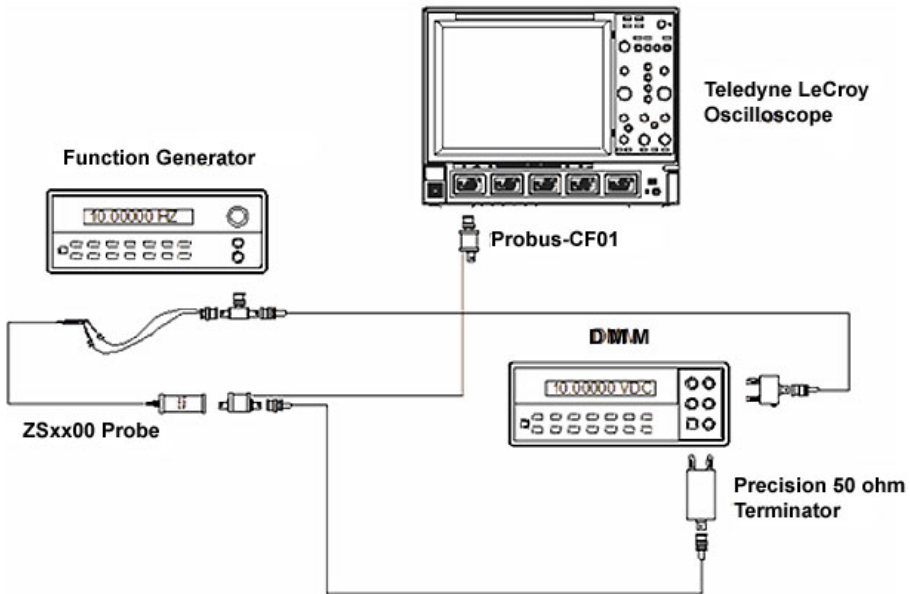
### A. Output Zero Voltage



#### Output Zero Voltage Test Setup

1. Connect one end of a BNC cable to the female BNC connector on the probe end of the ProBus extender cable. Connect the precision 50  $\Omega$  terminator to the other end of the BNC cable.
2. Connect the banana plugs of the Precision terminator to the input of the DMM. Make sure that the plug corresponding to the BNC shield (marked "Ground") is connected to the **LOW** or **COMMON** input of the DMM.
3. Set the OFFSET on the oscilloscope to zero.
4. Set the DMM to read DC Volt on the most sensitive range.
5. Record the voltage measured on the DMM to 10  $\mu\text{V}$  resolution as "Output Zero Voltage" in the Test record.
6. Check that the voltage indicated by the DMM is between  $\pm 200 \mu\text{V}$ .
7. Disconnect the DMM from the precision 50  $\Omega$  terminator. Leave the remaining setup in place for the next step.

## B. LF Attenuation Accuracy



### LF Attenuation Accuracy Setup

1. Disconnect the BNC tee at the power supply from the dual banana plug adapter. Connect the BNC tee to the output of the function generator. (Use a 50  $\Omega$  termination if the function generator requires such a load.)
2. Carefully insert the Straight Tips (supplied in accessory kit) into the sockets of the probe head. Attach the red lead of the mini-grabber to the signal input and the black lead to the ground input of the probe head.
3. Connect the BNC tee to the output of the function generator. (Use a 50  $\Omega$  termination if the function generator requires such a load).
4. Attach a BNC cable to the unused female port of the BNC tee and connect a dual banana plug adapter to the other end of the cable and plug the dual banana plug adapter into the DMM input. Be sure the side of the banana plug adapter corresponding to the BNC shield (marked "GROUND") is connected to the **LOW** or **COMMON** input of the DMM.
5. Set the DMM to read AC volt and set the range to measure 5.0 Vrms.

6. Set the mode of the function generator to sine wave, the frequency to 70 Hz and the output amplitude to 5 Vrms  $\pm$ 10 mV as measured on the DMM.
7. Record the output voltage to 1 mV resolution as "Generator Output Voltage" in the Test Record. Be careful not to alter the output amplitude after the reading is recorded.
8. Divide the reading recorded in step B-7 by 10 and record the result with 100  $\mu$ V resolution as "Expected Output Voltage, top range" in the Test Record.
9. Remove the banana plug adapter, connected to the function generator, from the DMM and connect the precision 50  $\Omega$  terminator to the DMM, making sure that the banana plug side marked "GROUND" is connected to the **LOW** or **COMMON** input of the DMM.
10. After the DMM reading has stabilized, record the reading to 100  $\mu$ V resolution as "Measured Output Voltage, top range" in the Test Record.
11. Calculate the error by dividing the measured top range output voltage recorded in step B10 by the expected top range output voltage recorded in step B-8. Subtract 1 from this ratio and multiply by 100% to get the error in percent.
12. Record the calculated error to two decimal places ( $\pm$ 0.xx%) as "Gain Error, top range" in the test record.
13. Verify that the error is less than  $\pm$ 1.0 %.
14. Disconnect the precision 50  $\Omega$  terminator from the DMM.
15. Connect the banana plug adapter connected via a BNC cable to the BNC tee at the function generator to the DMM. Verify that the side of the plug marked 'Ground' is connected to the **Low** or **Common** input of the DMM.
16. Adjust the sine wave generator output amplitude to approximately 2.5 Vrms as measured on the DMM.
17. Record the reading to 1 mV resolution as "Generator Output Voltage, mid range" in the Test Record. Be careful not to alter the output amplitude after the reading is recorded.
18. Divide the reading recorded in step B-17 by 10.
19. Record the result to 100  $\mu$ V resolution as "Expected Output Voltage, mid range" in the test record.

## ZS Series High-Impedance, Active Probes

---

20. Remove the banana plug adapter from the DMM and connect the precision 50  $\Omega$  terminator to the DMM, making sure that the banana plug side marked "GROUND" is connected to the LOW or COMMON input of the DMM.
21. After the DMM has stabilized, record the reading to 100  $\mu$ V resolution as "Measured Output Voltage, mid range" in the Test record.
22. Calculate the error by dividing the measured mid range output voltage recorded in step B-21 by the expected mid range output voltage recorded in step B-19. Subtract 1 from this ratio and multiply by 100% to get the error in percent.
23. Record the calculated error to two decimal places ( $\pm 0.xx$  %) as "Gain Error, mid range" in the Test record.
24. Verify that the mid range gain error is less than  $\pm 1.0\%$

This completes the Performance Verification of the ZS1000, ZS1500, or ZS2500. Complete and file the Test Record, as required to support your internal calibration procedure.

Apply suitable calibration label to the ZS1000, ZS1500, or ZS2500 housing as required.

**NOTE:** The function generator used in this Performance Verification Procedure is used for making relative measurements. The output of the generator is measured with a DMM or oscilloscope in this procedure. Thus, the generator is not required to be calibrated.

## Performance Verification Test Record

The next page can be used to record the results of measurements made during the performance verification of the ZS Series Probes. Permission is granted to photocopy it and record the results on the copy. File the completed record as required by applicable internal quality procedures. The section in the test record corresponds to the parameters tested in the performance verification procedure. The numbers preceding the individual data records correspond to the steps in the procedure requiring the recording of data.

Results to be recorded in the column labeled **Test Result** are the actual specification limit check. The test limits are included in all of these steps. Other measurements and the results of intermediate calculations that support the limit check are to be recorded in the column labeled **Intermediate Results**.

**Item Tested**

Item	Serial Number	Date	Technician
ZS			

**Equipment Used**

Instrument	Model	Serial Number	Calibration Due Date
Oscilloscope			
Digital Multimeter			
Function Generator			

**Test Record**

**OUTPUT ZERO VOLTAGE**

Step	Description	Intermediate Data
A-5.	<b>Output Zero</b> (Test limit $\leq \pm 200 \mu\text{V}$ )	

**LF ATTENUATION ACCURACY**

Step	Description	Intermediate Data
B-7	Generator Output Voltage	V
B-8	Expected Output Voltage, top range	V
B-10	Measured Output Voltage, top range	V
B-12	<b>Gain Error</b> , top range (Test Limit $\leq \pm 1.0\%$ )	%
B-17	Generator Output Voltage	V
B-19	Expected Output Voltage, mid range	V
B-21	Measured Output Voltage, mid range	V
B-23	<b>Gain Error</b> , top range (Test Limit $\leq \pm 1.0\%$ )	%

# Reference Material

## Specifications

Please refer to the Teledyne LeCroy website at [teledynelecroy.com](http://teledynelecroy.com) for detailed specification information.

## Certifications

This section contains the instrument's Electromagnetic Compatibility (EMC), Safety and Environmental certifications.

### *EMC Compliance*

#### **EC DECLARATION OF CONFORMITY - EMC**

The probe meets intent of EC Directive 2004/108/EC for Electromagnetic Compatibility. Compliance was demonstrated to the following specifications as listed in the Official Journal of the European Communities:

EN 61326-1:2006, EN 61326-2-1:2006 EMC requirements for electrical equipment for measurement, control, and laboratory use.

#### **European Contact:**

Teledyne LeCroy Europe GmbH  
Waldhofer Str 104  
D-69123 Heidelberg  
Germany  
Tel: (49) 6221 82700

#### **AUSTRALIA & NEW ZEALAND DECLARATION OF CONFORMITY—EMC**

Probe complies with the EMC provision of the Radio Communications Act per the following standards, in accordance with requirements imposed by Australian Communication and Media Authority (ACMA):

CISPR 11:2003 Radiated and Conducted Emissions, Group 1, Class A, in accordance with EN61326-1:2006 and EN61326-2-1:2006.

#### **Australia / New Zealand Contacts:**

Vicom Australia Ltd.  
1064 Centre Road  
Oakleigh, South Victoria 3167  
Australia

Vicom New Zealand Ltd.  
60 Grafton Road  
Auckland  
New Zealand



## Safety Compliance

### EC DECLARATION OF CONFORMITY – LOW VOLTAGE

The probe meets intent of EC Directive 2006/95/EC for Product Safety. Compliance was demonstrated to the following specifications as listed in the Official Journal of the European Communities:

EN 61010-1:2010 Safety requirements for electrical equipment for measurement, control, and laboratory use – Part 1: General requirements

EN 61010-2:030:2010 Safety requirements for electrical equipment for measurement, control, and laboratory use – Part 2-030: Particular requirements for testing and measuring circuits

EN 61010-031/A1:2008 Safety requirements for electrical equipment for measurement, control, and laboratory use – Part 031: Safety requirements for hand-held probe assemblies for electrical measurement and test.

## Environmental Compliance

### END-OF-LIFE HANDLING



The probe is marked with this symbol to indicate that it complies with the applicable European Union requirements to Directives 2002/96/EC and 2006/66/EC on Waste Electrical and Electronic Equipment (WEEE) and Batteries.

The probe is subject to disposal and recycling regulations that vary by country and region. Many countries prohibit the disposal of waste electronic equipment in standard waste receptacles. For more information about proper disposal and recycling of your Teledyne LeCroy product, please visit [teledynelecroy.com/recycle](http://teledynelecroy.com/recycle).

### RESTRICTION OF HAZARDOUS SUBSTANCES (ROHS)

The product and its accessories conform to the 2011/65/EU RoHS2 Directive, as it has been classified as Industrial Monitoring and Control Equipment (per Article 3, Paragraph 24) and is exempt from RoHS compliance until 22 July 2017 (per Article 4, Paragraph 3).

# ZS Series High-Impedance, Active Probes

## Contact Teledyne LeCroy

### Teledyne LeCroy Service Centers

<p><b>United States and Canada - World Wide Corporate Office</b> Teledyne LeCroy Corporation 700 Chestnut Ridge Road Chestnut Ridge, NY, 10977-6499, USA Ph: 800-553-2769 / 845-425-2000 FAX: 845-578-5985 teledynelecroy.com <b>Support:</b> contact.corp@teledynelecroy.com <b>Sales:</b> customersupport@teledynelecroy.com</p>	<p><b>United States - Protocol Solutions Group</b> Teledyne LeCroy Corporation 3385 Scott Boulevard Santa Clara, CA, 95054, USA FAX: 408-727-0800 teledynelecroy.com <b>Sales and Service:</b> Ph: 800-909-7211 / 408-727-6600 contact.corp@teledynelecroy.com <b>Support:</b> Ph: 800-909-7112 / 408-653-1260 psgsupport@teledynelecroy.com</p>
<p><b>European Headquarters</b> Teledyne LeCroy SA 4, Rue Moïse Marcinhes Case postale 341 1217 Meyrin 1 Geneva, Switzerland Ph: + 41 22 719 2228 / 2323 /2277 FAX:+41 22 719 2233 contact.sa@teledynelecroy.com applications.indirect@teledynelecroy.com teledynelecroy.com/europe <b>Protocol Analyzers:</b> Ph: +44 12 765 03971</p>	<p><b>Singapore, Oscilloscopes</b> Teledyne LeCroy Singapore Pte Ltd. Blk 750C Chai Chee Road #02-08 Technopark @ Chai Chee Singapore 469003 Ph: ++ 65 64424880 FAX: ++ 65 64427811 <b>Singapore, Protocol Analyzers</b> Genetron Singapore Pte Ltd. 37 Kallang Pudding Road, #08-08 Tong Lee Building Block B Singapore 349315 Ph: ++ 65 9760-4682</p>
<p><b>China</b> Teledyne LeCroy Corporation Beijing Rm. 2001 - Office; Rm. 2002 - Service Center Unit A, Horizon Plaza No. 6, Zhichun Road, Haidian District Beijing 100088, China Ph: ++86 10 8280 0318 / 0319 / 0320 FAX:++86 10 8280 0316 <b>Service:</b> Rm. 2002 Ph: ++86 10 8280 0245</p>	<p><b>Korea</b> Teledyne LeCroy Korea 10th fl. Ildong Bldg. 968-5 Daechi-dong, Gangnam-gu Seoul 135-280, Korea Ph: ++ 82 2 3452 0400 FAX: ++ 82 2 3452 0490</p>
<p><b>Taiwan</b> LeColn Technology Co Ltd. Far East Century Park, C3, 9F No. 2, Chien-8th Road, Chung-Ho Dist., New Taipei City, Taiwan Ph: ++ 886 2 8226 1366 FAX: ++ 886 2 8226 1368</p>	<p><b>Japan</b> Teledyne LeCroy Japan Hobunsha Funchu Bldg, 3F 3-11-5, Midori-cho, Fuchu-Shi Tokyo 183-0006, Japan Ph: ++ 81 4 2402 9400 FAX: ++ 81 4 2402 9586 teledynelecroy.com/japan</p>





700 Chestnut Ridge Road  
Chestnut Ridge, NY 10977  
USA

[teledynelecroy.com](http://teledynelecroy.com)