

## Wireway & Trough



Type 12 Lay-In Wireway  
1485 Series  
Wireway & Accessories ..... 184



Type 12 Pull Through Wireway  
1487 Series  
Wireway & Accessories ..... 189



Type 4X Pull Through Wireway  
1487SS Series  
Wireway & Accessories ..... 193



Type 12 Wiring Trough  
1486 Series ..... 196



Type 1 Lay-In Wireway  
CW Series  
Wireway & Accessories ..... 197



Type 3R Wiring Trough  
C3RWT Series..... 201

## Type 12 Lay-In Wireway 1485 Series

### Wireway & Accessories



### Construction

- Bodies and covers are formed from 14-gauge steel with 10 gauge steel flanges.
- Flanges are open at the top to allow cables to lay in when doors open.
- 12" x 6" size has a 12 gauge steel body with a 14-gauge cover.
- Smooth continuously welded seams.
- Interior surfaces are smooth to prevent wire damage during installation.
- Butt hinged cover is secured with easily operated quick release clamps.
- Oil resistant gaskets are permanently secured.
- Solid oil resistant gaskets are used between flanges when sections and fittings are bolted together.
- One gasket kit, complete with hardware is provided with each straight section or fitting.
- Sealing plate is supplied.
- Flange junctions are sealed with gasket sealing plates, which are put in place after wiring is completed. One is supplied with all straight sections and most fittings; see table for exact number.

### Finish

- Sections and components are finished in ANSI 61 gray powder coating.

### Notes

- When joining a wireway section or fitting to an enclosure be sure to order a box connector.
- When joining two wireway sections, or joining a wireway section to a fitting, a flat sealing plate is required at each junction; necessary kits are supplied with each section and fitting. See table, extra kits may be ordered if necessary.
- When joining a lay-in wireway section or fitting to a closure plate, a box connector, or cut-off fitting, an angle sealing plate is required at each junction.
- Necessary kits are supplied with each section and fitting - see table. Extra kits, although not normally required, are necessary when joining lay-in wireway to a non-lay-in section or fitting section.

Quick Link: [hammfg.com/1485](http://hammfg.com/1485)

### Application

- Designed to enclose and protect electrical wiring from dirt, dust, oil and water.
- All sections and fittings are completely open on each side to allow wires and cables to be placed into the wireway without "pulling through".

### Standards

- UL 870 Type 1 (unless marked<sup>1</sup>)
- CSA Type 1 (unless marked<sup>1</sup>)
- Complies with
  - NEMA Type 12
  - IEC 60529, IP54

Wireway &amp; Trough

Description	Sealing Plates	2.5 x 2.5	4 x 4	6 x 6	8 x 8	12 x 6
	Supplied	Part No.	Part No.	Part No.	Part No.	Part No.
6" Section	1 Flat	1485B6	1485C6	1485D6	1485E6	1485F6
12" Section	1 Flat	1485B12	1485C12	1485D12	1485E12	1485F12
24" Section	1 Flat	1485B24	1485C24	1485D24	1485E24	1485F24
36" Section	1 Flat	1485B36	1485C36	1485D36	1485E36	1485F36
48" Section	1 Flat	1485B48	1485C48	1485D48	1485E48	1485F48
60" Section	1 Flat	1485B60	1485C60	1485D60	1485E60	1485F60
120" Section	1 Flat	1485B120	1485C120	1485D120	1485E120	1485F120

<sup>1</sup> Does not meet CSA or UL requirement

<sup>2</sup> Maintains ratings on CSA and UL approved wireway

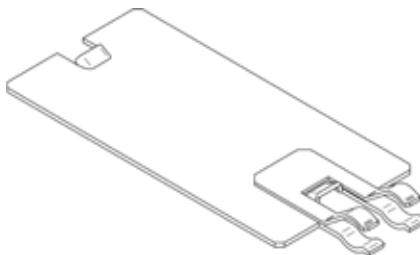
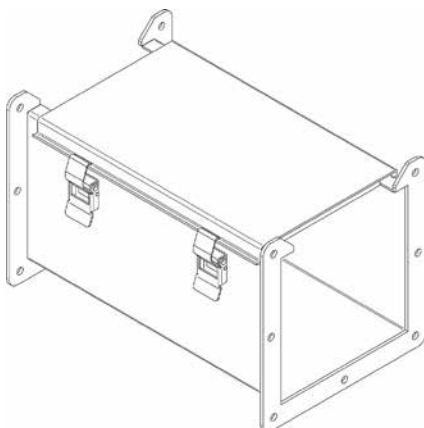
Description	Sealing Plates	2.5 x 2.5	4 x 4	6 x 6	8 x 8	12 x 6
	Supplied	Part No.	Part No.	Part No.	Part No.	Part No.
60" Long Partition (Barrier)	-	-	1487CB60 <sup>1</sup>	1487DB60 <sup>1</sup>	1487EB60 <sup>1</sup>	1487DB60 <sup>1</sup>
1" Nipple	1 Flat	1485BM1	1485CM1	1485DM1	-	-
2" Nipple	1 Flat	1485BM2	1485CM2	1485DM2	-	-
3" Nipple	1 Flat	1485BM3	1485CM3	1485DM3	-	-
Box Entry Swivel Nipple	1 Angle	1485BV1	1485CV1	1485DV1	1485EV1	-
Standard Swivel Nipple	2 Angle	1485BV2	1485CV2	1485DV2	1485EV2	-
12" Transposition Clockwise	1 Flat	1485BZ12	1485CZ12	1485DZ12	1485EZ12	-
12" Transposition Counter-Clockwise	1 Flat	1485BZC12	1485CZC12	1485DZC12	1485EZC12	-
Flexible Fitting	None	1485BFF	1485CFF	1485DFF	1485EFF	-
Adjustable Fitting	1 Spec.	1485BX <sup>1</sup>	1485CX <sup>1</sup>	1485DX <sup>1</sup>	1485EX <sup>1</sup>	1485FX <sup>1</sup>
Cut-Off Fitting Lay-In	1 Flat	1485BW1 <sup>1</sup>	1485CW1 <sup>1</sup>	1485DW1 <sup>1</sup>	1485EW1 <sup>1</sup>	1485FW1 <sup>1</sup>
Cut-Off Fitting Non Lay-In	1 Angle	1485BW2 <sup>1</sup>	1485CW2 <sup>1</sup>	1485DW2 <sup>1</sup>	1485EW2 <sup>1</sup>	1485FW2 <sup>1</sup>
90° Elbow, Top Opening	1 Flat	1485B9N	1485C9N	1485D9N	1485E9N	1485F9N
90° Elbow, Inside Opening	1 Flat	1485B9P	1485C9P	1485D9P	1485E9P	1485F9P
90° Elbow, Outside Opening	1 Flat	1485B9Q	1485C9Q	1485D9Q	1485E9Q	1485F9Q
45° Elbow, Top Opening	1 Flat	1485B4N	1485C4N	1485D4N	1485E4N	1485F4N
45° Elbow, Inside Opening	1 Flat	1485B4P	1485C4P	1485D4P	1485E4P	-
45° Elbow, Outside Opening	1 Flat	1485B4Q	1485C4Q	1485D4Q	1485E4Q	-
Tee Fitting, Top Opening	2 Flat	1485BTN	1485CTN	1485DTN	1485ETN	1485FTN
Tee Fitting, Outside & Top Opening	2 Flat	1485BTQ	1485CTQ	1485DTQ	1485ETQ	-
Cross Fitting	3 Flat	1485BY	1485CY	1485DY	1485EY	1485FY
Reducer 4 x 4 to 2.5 x 2.5	None	-	1485CRE	-	-	-
Reducer 6 x 6 to 4 x 4	None	-	-	1485DRE	-	-
Reducer 8 x 8 to 6 x 6	None	-	-	-	1485ERE	-
Reducer 12 x 6 to 4 x 4	None	-	-	-	-	1485FREC
Reducer 12 x 6 to 6 x 6	None	-	-	-	-	1485FRED
Junction Box	1 Flat	1485BJ	1485CJ	1485DJ	1485EJ	-
Box Connector	1 Angle	1485BK <sup>1</sup>	1485CK <sup>1</sup>	1485DK <sup>1</sup>	1485EK <sup>1</sup>	1485FK <sup>1</sup>
Drop Hanger	None	1485BL1 <sup>1</sup>	1485CL1 <sup>1</sup>	1485DL1 <sup>1</sup>	1485EL1 <sup>1</sup>	-
Bracket Hanger	None	1485BL2 <sup>1</sup>	1485CL2 <sup>1</sup>	1485DL2 <sup>1</sup>	1485EL2 <sup>1</sup>	-
Cover Plate	1 Angle	1485BH <sup>2</sup>	1485CH <sup>2</sup>	1485DH <sup>2</sup>	1485EH <sup>2</sup>	1485FH <sup>2</sup>
Snap On Flat Sealing Plate	None	1485BSM <sup>2</sup>	1485CSM <sup>2</sup>	1485DSM <sup>2</sup>	1485ESM <sup>2</sup>	1485FSM <sup>2</sup>
Angle Sealing Plate	None	1485BS9 <sup>2</sup>	1485CS9 <sup>2</sup>	1485DS9 <sup>2</sup>	1485ES9 <sup>2</sup>	1485FS9 <sup>2</sup>

<sup>1</sup> Does not meet CSA or UL requirement

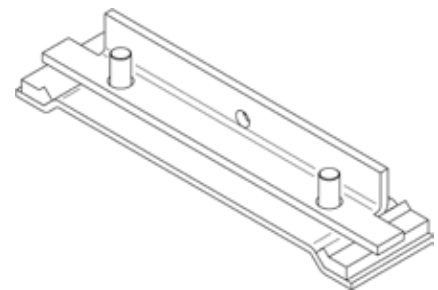
<sup>2</sup> Maintains ratings on CSA and UL approved wireway

**Wireway & Trough**

## Typical Straight Section Flat Sealing Plate



## Angle Sealing Plate

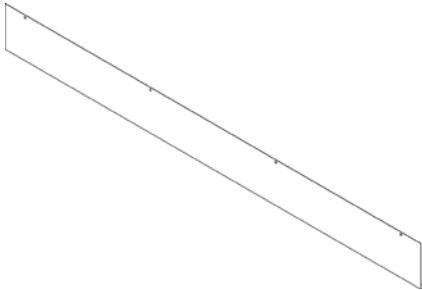


Technical references and CAD downloads available at [www.hammondmfg.com](http://www.hammondmfg.com)

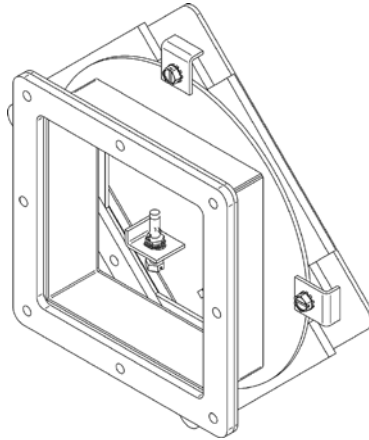
All dimensions in inches unless specified otherwise

**Quality Products. Service Excellence.**

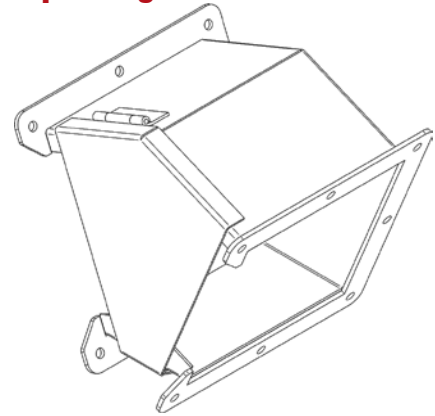
**Barrier Kit**



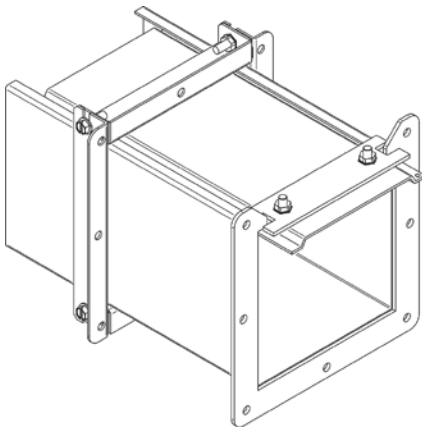
**Swivel Nipple**



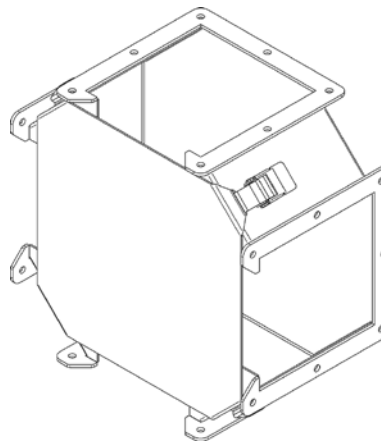
**45 degree Elbow Top Opening**



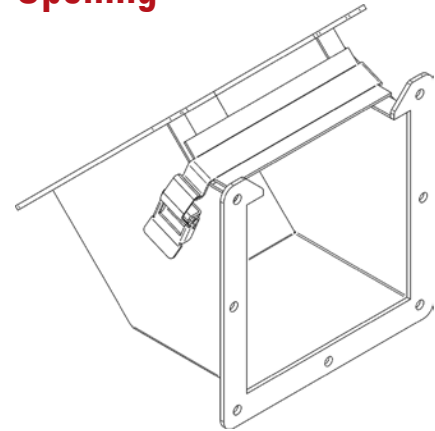
**Adjustable Fitting**



**Cross Fitting**



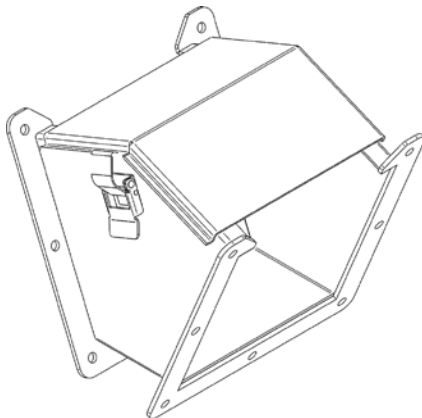
**45 degree Elbow Inside Opening**



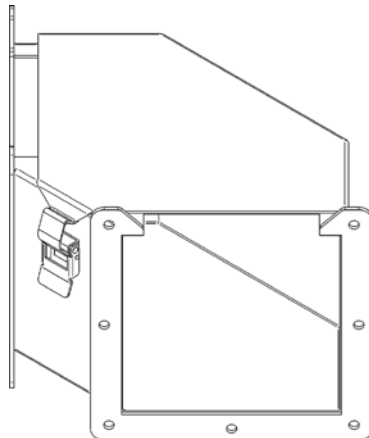
*Wireway & Trough*

- Allows on site length adjustment of 2" to 7"

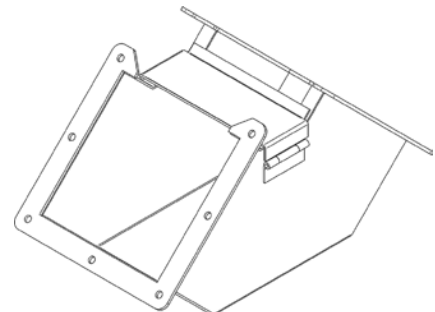
**45 degree Elbow Outside Opening**



**90 degree Elbow Top Opening**



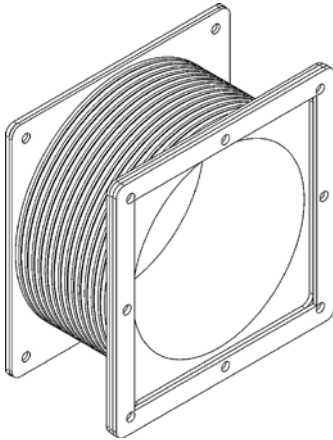
**90 degree Elbow Inside Opening**



Technical references and CAD downloads available at [www.hammondmfg.com](http://www.hammondmfg.com)

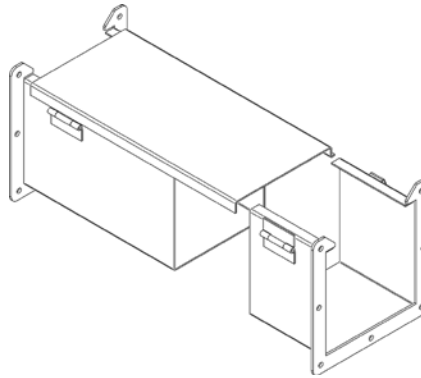
All dimensions in inches unless specified otherwise

## Flexible Fitting



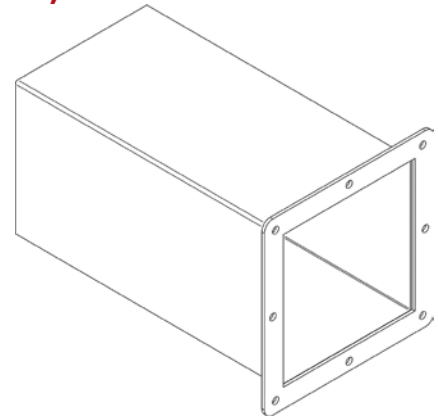
- Allows for easy alignment of sections or fittings
- Metal flanges
- Flexible synthetic “bellows” middle section

## Cut-Off Fitting (Lay-In)



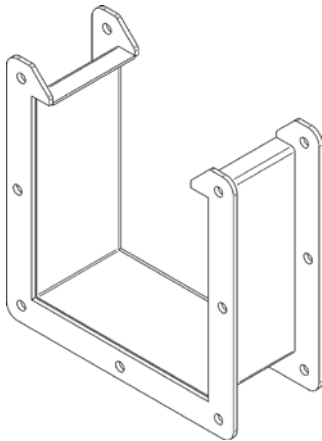
- Body comes in two pieces. Cut-off one piece, shorten cover, and weld together.
- Includes angle sealing plate.

## Cut-Off Fitting (Non Lay-In)



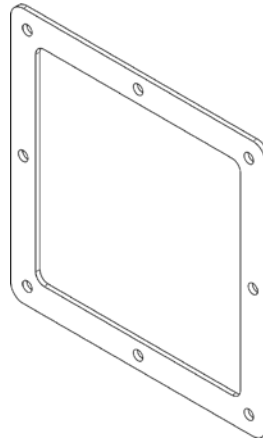
- For lengths up to 12”. Cut off body and weld on flange.

## Nipple



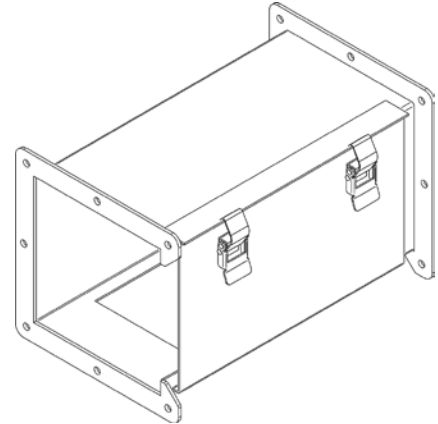
- Lay-in nipples come with a special sealing plate which cannot be used adjacent to swivel nipples (use 1487 Series nipples)

## Box Connector



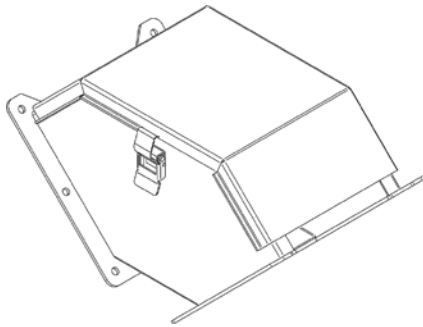
- Use inside box when entering with “Lay-In” Wireway.

## 12” Transposition Sections Clockwise &

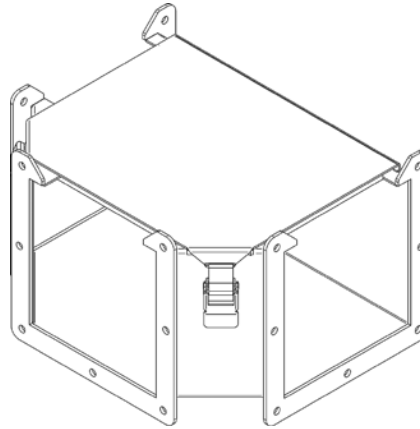


- Used to rotate the open side of a wireway run by 90° and maintain the lay-in feature

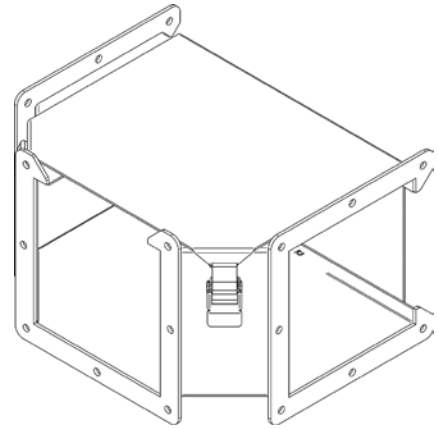
## 90 degree Elbow Outside Opening



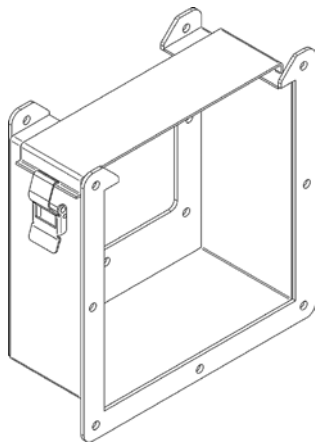
## Tee Fitting Top Opening



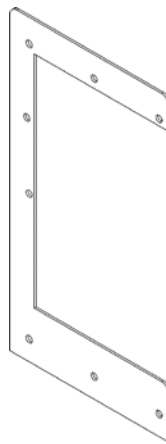
## Tee Fitting Outside and Top Opening



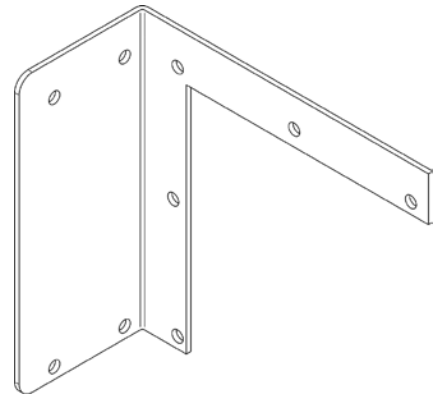
## Reducers



## Drop Hanger

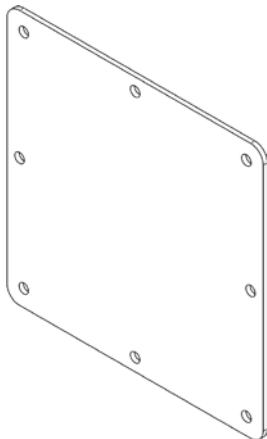


## Bracket Hanger

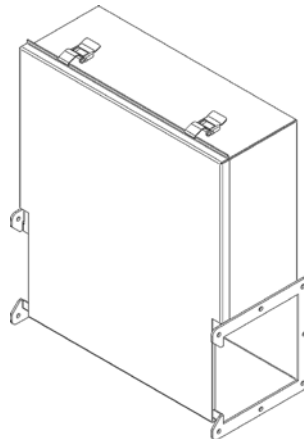


Wireway & Trough

## Cover Plate



## Junction Box



- Includes inner panel

Part No.	For use with	Enclosure		Inner Panel	
		H	W	H	W
1485BJ	2.5 x 2.5	12.00	10.25	8.75	6.87
1485CJ	4 x 4	14.00	13.87	10.75	8.87
1485DJ	6 x 6	16.00	17.87	12.75	10.87
1485EJ	8 x 8	18.00	21.87	14.75	12.87

One flat sealing plate included

# Type 12 Pull Through Wireway 1487 Series

## Wireway & Accessories



Quick Link: [hammfg.com/1487](http://hammfg.com/1487)

### Application

- Designed to enclose and protect electrical wiring from dirt, dust, oil and water.
- Ideal for connecting machines to control panels or power sources.

### Standards

- UL 870 Type 1 (unless marked<sup>1</sup>)
- CSA Type 1 (unless marked<sup>1</sup>)
- Complies with
  - NEMA Type 12
  - IEC 60529, IP54

### Construction

- Bodies and covers are formed from 14 gauge steel with 10 gauge steel flanges.
- Continuous flange around wireway ends, requires cables to be pulled through. (For lay-in style, see 1485 Series.)
- Smooth continuously welded seams.
- Interior surfaces are smooth to prevent wire damage during installation.
- Butt hinged covers are secured with easily operated screw clamps.
- Oil resistant gaskets are permanently secured.
- Solid oil resistant gaskets are used between flanges when sections and fittings are bolted together.
- One gasket kit, complete with hardware is provided with each straight section or fitting.

### Finish

- Sections and fittings are finished in ANSI 61 gray.

**Wireway & Trough**

Description	2.5 x 2.5 Part No.	4 x 4 Part No.	6 x 6 Part No.	8 x 8 Part No.
12" Section	1487B12	1487C12	1487D12	1487E12
24" Section	1487B24	1487C24	1487D24	1487E24
36" Section	1487B36	1487C36	1487D36	1487E36
48" Section	1487B48	1487C48	1487D48	1487E48
60" Section	1487B60	1487C60	1487D60	1487E60
120" Section	1487B120	1487C120	1487D120	1487E120
60" Long Partition (Barrier)	-	1487CB60 <sup>1</sup>	1487DB60 <sup>1</sup>	1487EB60 <sup>1</sup>
1" Nipple	1487BM1	1487CM1	1487DM1	1487EM1
2" Nipple	1487BM2	1487CM2	1487DM2	1487EM2
3" Nipple	1487BM3	1487CM3	1487DM3	1487EM3
6" Nipple	1487BM6	1487CM6	1487DM6	1487EM6
Box Entry Swivel Nipple	1487BV1	1487CV1	1487DV1	1487EV1
Standard Swivel Nipple	1487BV2	1487CV2	1487DV2	1487EV2
Flexible Fitting	1485BFF <sup>1</sup>	1485CFF <sup>1</sup>	1485DFF <sup>1</sup>	1485EFF <sup>1</sup>
Adjustable Fitting	1487BX <sup>1</sup>	1487CX <sup>1</sup>	1487DX <sup>1</sup>	1487EX <sup>1</sup>
Cut-Off Fitting	1487BW <sup>1</sup>	1487CW <sup>1</sup>	1487DW <sup>1</sup>	1487EW <sup>1</sup>
90° Elbow	1487B9P	1487C9P	1487D9P	1487E9P
45° Elbow	1487B4P	1487C4P	1487D4P	1487E4P
22.5° Elbow	1487B2P	1487C2P	1487D2P	1487E2P

<sup>1</sup> Does not meet CSA or UL requirements

<sup>2</sup> Maintains ratings on CSA and UL approved wireway

Description	2.5 x 2.5 Part No.	4 x 4 Part No.	6 x 6 Part No.	8 x 8 Part No.
Tee Fitting	1487BT	1487CT	1487DT	1487ET
Cross Fitting	1487BY	1487CY	1487DY	1487EY
<b>Center Hole Reducers</b>				
Reducer - 4 x 4 to 2.5 x 2.5	-	1487CRC <sup>2</sup>	-	-
Reducer - 6 x 6 to 4 x 4	-	-	1487DRC <sup>2</sup>	-
Reducer - 8 x 8 to 4 x 4	-	-	-	1487ERCC <sup>2</sup>
Reducer - 8 x 8 to 6 x 6	-	-	-	1487ERCD <sup>2</sup>
<b>Edge Hole Reducers</b>				
Reducer 4 x 4 to 2.5 x 2.5	-	1487CRE <sup>2</sup>	-	-
Reducer 6 x 6 to 4 x 4	-	-	1487DRE <sup>2</sup>	-
Reducer 8 x 8 to 4 x 4	-	-	-	1487EREC <sup>2</sup>
Reducer 8 x 8 to 6 x 6	-	-	-	1487ERED <sup>2</sup>
Box Connector	1487BK <sup>1</sup>	1487CK <sup>1</sup>	1487DK <sup>1</sup>	1487EK <sup>1</sup>
Drop Hanger	1485BL1 <sup>1</sup>	1485CL1 <sup>1</sup>	1485DL1 <sup>1</sup>	1485EL1 <sup>1</sup>
Bracket Hanger	1485BL2 <sup>1</sup>	1485CL2 <sup>1</sup>	1485DL2 <sup>1</sup>	1485EL2 <sup>1</sup>
Cover Plate	1487BH <sup>2</sup>	1487CH <sup>2</sup>	1487DH <sup>2</sup>	1487EH <sup>2</sup>
Gasket & Screws	1487BS <sup>1</sup>	1487CS <sup>1</sup>	1487DS <sup>1</sup>	1487ES <sup>1</sup>

<sup>1</sup> Does not meet CSA or UL requirements

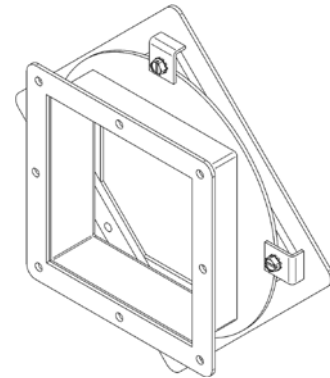
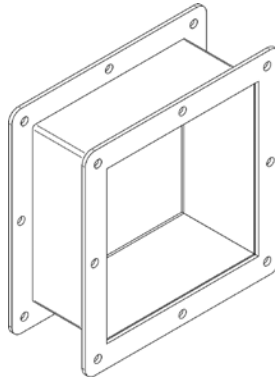
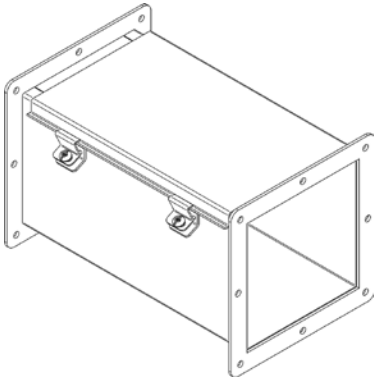
<sup>2</sup> Maintains ratings on CSA and UL approved wireway

Wireway &amp; Trough

## Typical Straight Section

## Nipple

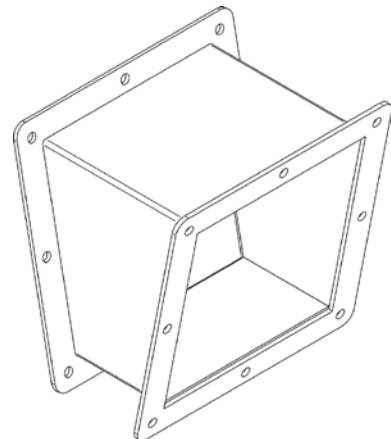
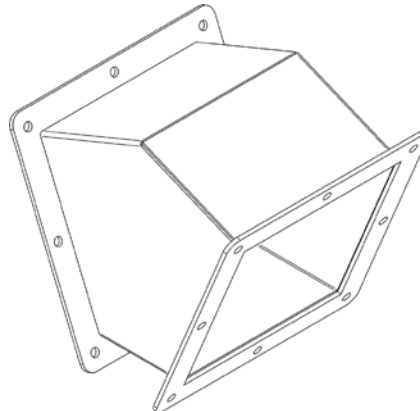
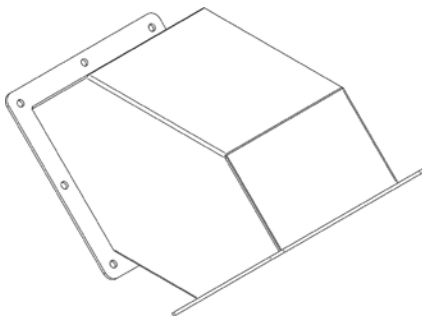
## Swivel Nipple



## 90 degree Elbow

## 45 degree Elbow

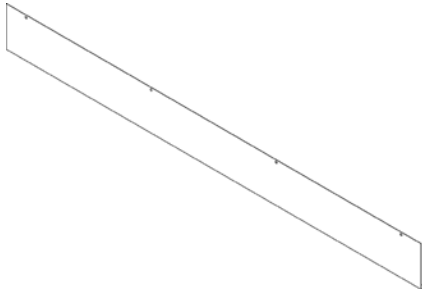
## 22.5 degree Elbow


 Technical references and CAD downloads available at [www.hammondmfg.com](http://www.hammondmfg.com)

All dimensions in inches unless specified otherwise

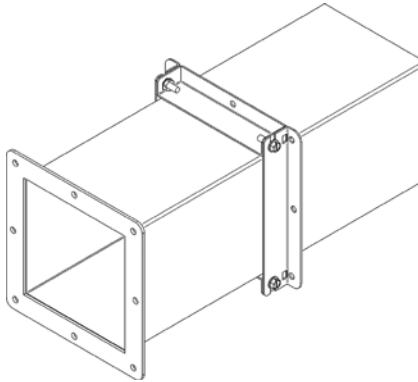


## Barrier Kit



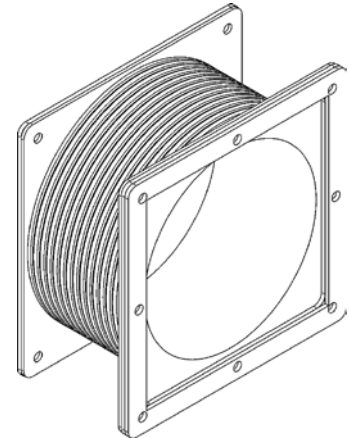
- Divides wireway into two or more compartments. Barriers are fastened to wireway sections with screws.

## Adjustable Fitting



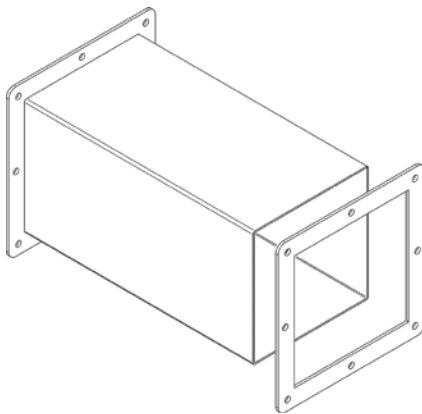
- Allows on site length adjustment of 1.5" to 13.5"

## Flexible Fitting



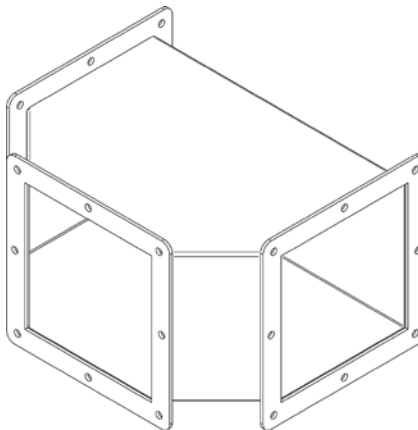
- Allows for easy alignment of sections or fittings
- Metal flanges
- Flexible synthetic "bellows" middle section

## Cut-Off Fitting (Lay-In)

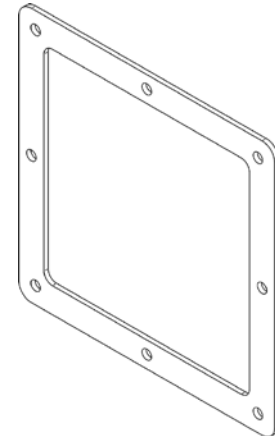


- Body comes in two pieces. Cut-off one piece, shorten cover, and weld together.

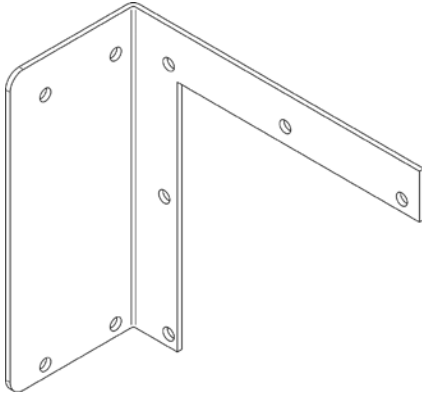
## Tee Fitting



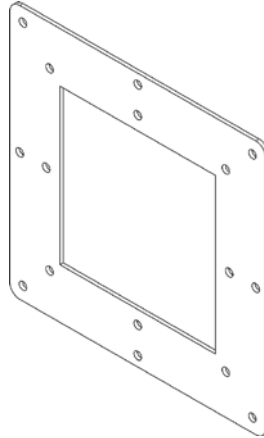
## Box Connector



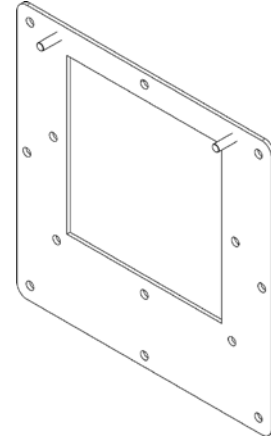
**Bracket Hanger**



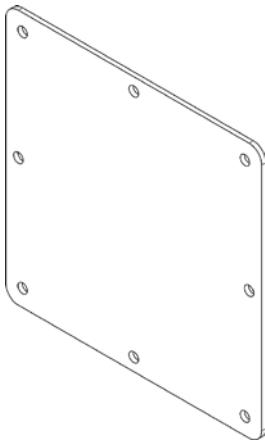
**Reducers (Center Hole)**



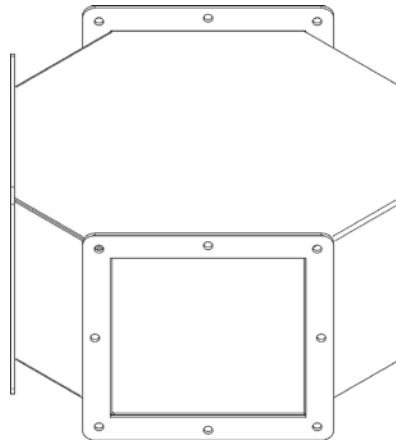
**Reducers (Edge Hole)**



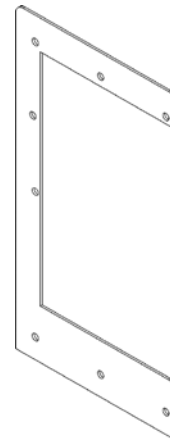
**Cover Plate**



**Cross Fitting**



**Drop Hanger**



*Wireway & Trough*

## Type 4X Pull Through Wireway *1487SS Series*

### Wireway & Accessories



Quick Link: [hammfg.com/1487SS](http://hammfg.com/1487SS)

### Application

- Designed to enclose and protect electrical wiring from dirt, dust, oil and water.
- Ideal for connecting machines to control panels or power sources.

### Standards

- UL 870 Type 1 (unless marked<sup>1</sup>)
- CSA Type 1 (unless marked<sup>1</sup>)

- Complies with
  - NEMA Type 4, 4X and 12
  - IEC 60529, IP66

### Construction

- Bodies and covers are formed from 14 gauge 304 stainless steel with 10 gauge flanges.
- Continuous flange around wireway ends, requires cables to be pulled through.
- Smooth continuously welded seams.
- Interior surfaces are smooth to prevent wire damage during installation.
- Butt hinged covers are secured with easily operated screw clamps.
- Oil resistant gaskets are permanently secured.
- Solid oil resistant gaskets are used between flanges when sections and fittings are bolted together.
- One gasket kit, complete with hardware is provided with each straight section or fitting.

### Finish

- Sections and fittings are natural stainless steel with a smooth brushed finish.

**Wireway & Trough**

Description	4 x 4	6 x 6	8 x 8
	Part No.	Part No.	Part No.
12" Section	1487C12SS	1487D12SS	1487E12SS
24" Section	1487C24SS	1487D24SS	1487E24SS
36" Section	1487C36SS	1487D36SS	1487E36SS
48" Section	1487C48SS	1487D48SS	1487E48SS
60" Section	1487C60SS	1487D60SS	1487E60SS
120" Section	1487C120SS	1487D120SS	1487E120SS
6" Nipple	1487CM6SS	1487DM6SS	1487EM6SS
Standard Swivel Nipple	1487CV2SS	1487DV2SS	1487EV2SS
Flexible Fitting	1487CFFSS <sup>1</sup>	1487DFFSS <sup>1</sup>	1487EFFSS <sup>1</sup>
Adjustable Fitting	1487CXSS <sup>1</sup>	1487DXSS <sup>1</sup>	1487EXSS <sup>1</sup>
90° Elbow	1487C9PSS	1487D9PSS	1487E9PSS
45° Elbow	1487C4PSS	1487D4PSS	1487E4PSS
Tee Fitting	1487CTSS	1487DTSS	1487ETSS
Center Hole Reducers			
Reducer - 6 x 6 to 4 x 4	-	1487DRCSS <sup>2</sup>	-
Reducer - 8 x 8 to 4 x 4	-	-	1487ERCSS <sup>2</sup>
Reducer - 8 x 8 to 6 x 6	-	-	1487ERCDSS <sup>2</sup>
Edge Hole Reducers			
Reducer 6 x 6 to 4 x 4	-	1487DRESS <sup>2</sup>	-
Reducer 8 x 8 to 4 x 4	-	-	1487ERECSS <sup>2</sup>
Reducer 8 x 8 to 6 x 6	-	-	1487EREDSS <sup>2</sup>
Box Connector	1487CKSS <sup>1</sup>	1487DKSS <sup>1</sup>	1487EKSS <sup>1</sup>
Drop Hanger	1487CL1SS <sup>1</sup>	1487DL1SS <sup>1</sup>	1487EL1SS <sup>1</sup>
Bracket Hanger	1487CL2SS <sup>1</sup>	1487DL2SS <sup>1</sup>	1487EL2SS <sup>1</sup>
Cover Plate	1487CHSS <sup>2</sup>	1487DHSS <sup>2</sup>	1487EHSS <sup>2</sup>
Gasket & Screws	1487CSSS <sup>1</sup>	1487DSSS <sup>1</sup>	1487ESSS <sup>1</sup>

<sup>1</sup> Does not meet CSA or UL requirements

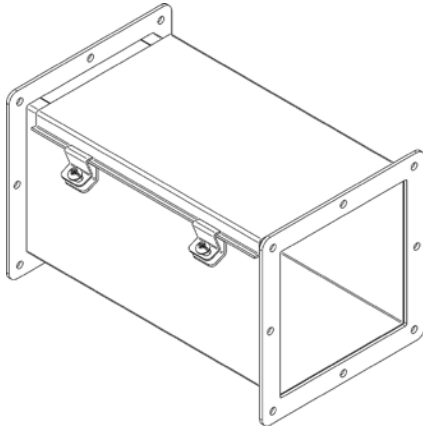
<sup>2</sup> Maintains ratings on CSA and UL approved wireway

Technical references and CAD downloads available at [www.hammondmfg.com](http://www.hammondmfg.com)

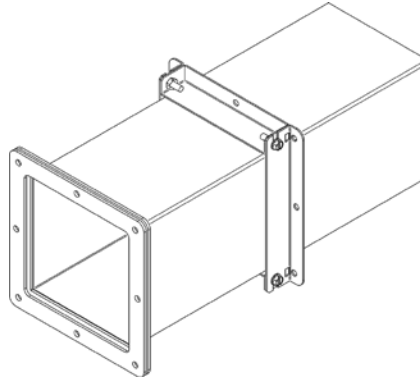
All dimensions in inches unless specified otherwise

**Quality Products. Service Excellence.**

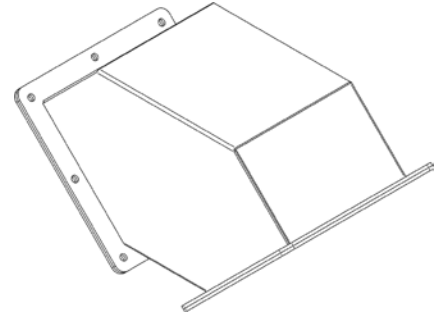
**Typical Straight Section**



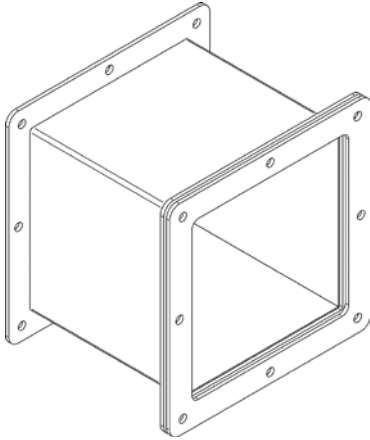
**Adjustable Fitting**



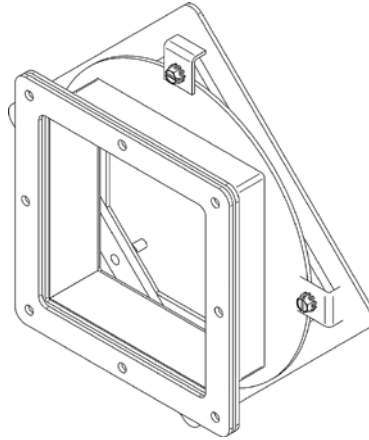
**90 Degree Elbow**



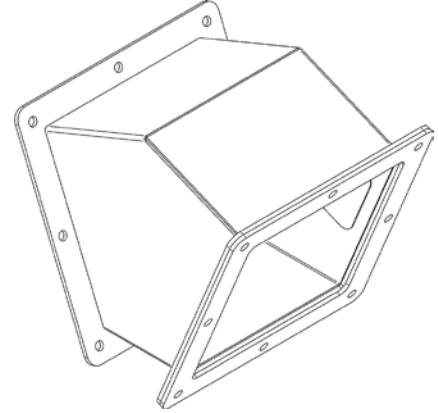
**Nipple**



**Swivel Nipple**

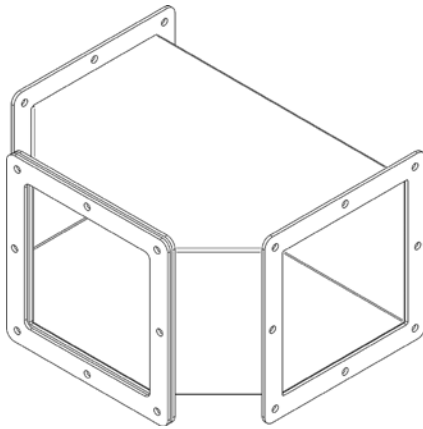


**45 Degree Elbow**

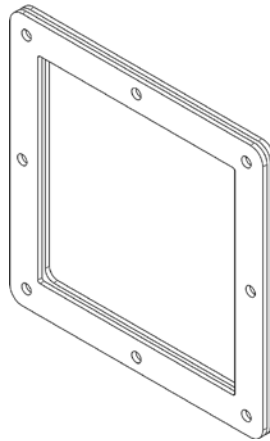


**Wireway & Trough**

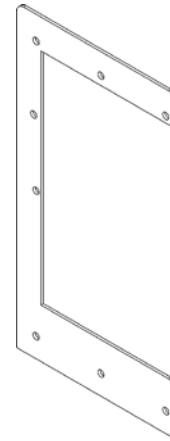
**Tee Fitting**



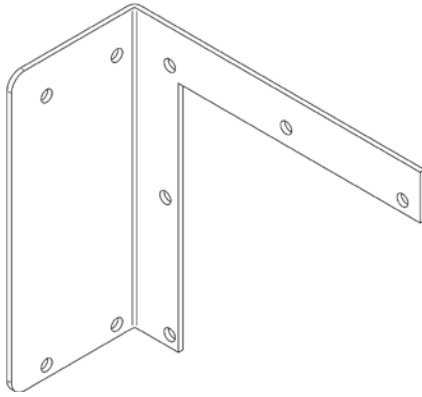
**Box Connector**



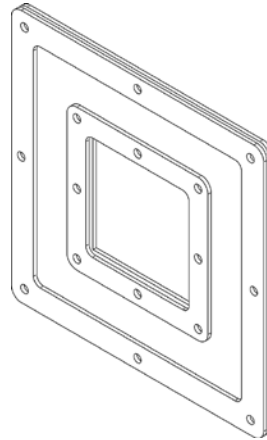
**Drop Hanger**



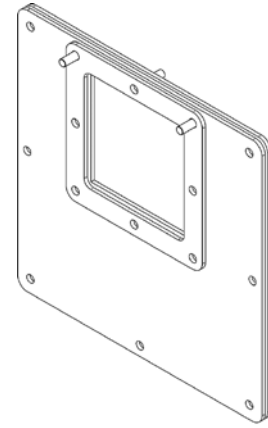
## Bracket Hanger



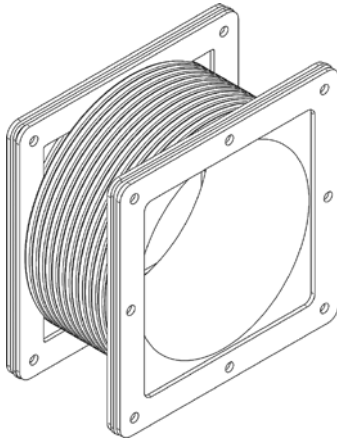
## Reducers (Center Hole)



## Reducers (Edge Hole)

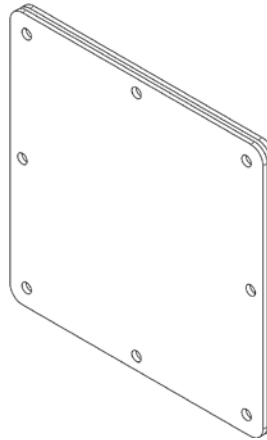


## Flexible Fitting



- Allows for easy alignment of sections or fittings
- Metal flanges
- Flexible synthetic “bellows” middle section

## Cover Plate



## Type 12 Wiring Trough 1486 Series



Wireway & Trough

Quick Link: [hammfg.com/1486](http://hammfg.com/1486)

### Application

- Designed to enclose and protect multiple wiring junctions from dirt, dust, oil and water.

### Standards

- UL 870 Type 1
- CSA Type 1
- Complies with
  - NEMA Type 12
  - IEC 60529, IP54

### Construction

- Formed 14 gauge steel.
- Smooth continuously welded seams.
- Butt hinged cover is secured with easily operated screw clamps.
- Oil resistant gaskets are permanently secured.
- 12 gauge external mounting feet are welded to the back.

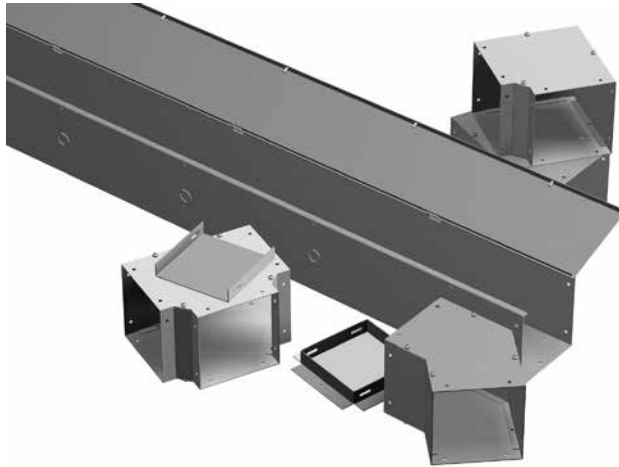
### Finish

- Troughs and covers are finished in ANSI 61 gray powder coating.

Part No.	Enclosure		
	H	D	L
1486B12	2.50	2.50	12.00
1486B18	2.50	2.50	18.00
1486B24	2.50	2.50	24.00
1486B30	2.50	2.50	30.00
1486B36	2.50	2.50	36.00
1486B48	2.50	2.50	48.00
1486B60	2.50	2.50	60.00
1486B72	2.50	2.50	72.00
1486C12	4.00	4.00	12.00
1486C18	4.00	4.00	18.00
1486C24	4.00	4.00	24.00
1486C30	4.00	4.00	30.00
1486C36	4.00	4.00	36.00
1486C48	4.00	4.00	48.00
1486C60	4.00	4.00	60.00
1486C72	4.00	4.00	72.00
1486D12	6.00	6.00	12.00
1486D18	6.00	6.00	18.00
1486D24	6.00	6.00	24.00
1486D30	6.00	6.00	30.00
1486D36	6.00	6.00	36.00
1486D48	6.00	6.00	48.00
1486D60	6.00	6.00	60.00
1486D72	6.00	6.00	72.00

# Type 1 Lay-In Wireway *CW Series*

## Wireway & Accessories



Quick Link: [hammfg.com/CW](http://hammfg.com/CW)

### Application

- Construction designed to ensure electrical continuity and to permit fast and easy indoor installation of multiple wireway runs.

### Screw Cover - Straight Section

Length	Knock Outs	2.5 x 2.5	4 x 4	6 x 6	8 x 8	10 x 10	12 x 12
12.00	w/KO	CWSC212	CWSC412	CWSC612	CWSC812	-	CWSC1212
18.00	w/KO	-	-	-	-	-	-
24.00	w/KO	CWSC224	CWSC424	CWSC624	CWSC824	-	CWSC1224
36.00	w/KO	CWSC236	CWSC436	CWSC636	CWSC836	-	CWSC1236
48.00	w/KO	CWSC248	CWSC448	CWSC648	CWSC848	-	CWSC1248
60.00	w/KO	CWSC260	CWSC460	CWSC660	CWSC860	-	CWSC1260
72.00	w/KO	-	CWSC472	CWSC672	-	-	-
96.00	w/KO	-	-	-	-	-	-
120.00	w/KO	CWSC2120	CWSC4120	CWSC6120	CWSC8120	-	-
12.00	No KO	CWSC212NK	CWSC412NK	CWSC612NK	CWSC812NK	CWSC1012NK	CWSC1212NK
18.00	No KO	-	CWSC418NK	CWSC618NK	CWSC818NK	-	-
24.00	No KO	CWSC224NK	CWSC424NK	CWSC624NK	CWSC824NK	CWSC1024NK	CWSC1224NK
36.00	No KO	CWSC236NK	CWSC436NK	CWSC636NK	CWSC836NK	CWSC1036NK	CWSC1236NK
48.00	No KO	CWSC248NK	CWSC448NK	CWSC648NK	CWSC848NK	CWSC1048NK	CWSC1248NK
60.00	No KO	CWSC260NK	CWSC460NK	CWSC660NK	CWSC860NK	CWSC1060NK	CWSC1260NK
72.00	No KO	-	CWSC472NK	CWSC672NK	CWSC872NK	CWSC1072NK	CWSC1272NK
96.00	No KO	-	-	-	-	CWSC1096NK	CWSC1296NK
120.00	No KO	CWSC2120NK	CWSC4120NK	CWSC6120NK	CWSC8120NK	CWSC10120NK	CWSC12120NK

### Standards

- UL-50 Type 1
- cUL Type 1
- Complies with
  - IEC 60529, IP20

### Construction - Screw Cover

- Formed from 16 or 14 gauge steel
- Flat covers have keyhole screw slots
- Straight sections do not have knockouts
- Unobstructed interior speeds up laying of cables
- Optional hanger brackets allow for vertical or horizontal mounting
- Joiners sold separately

### Construction - Hinge Cover

- Formed from 16 or 14 gauge steel
- Hinge covers are hinged on 24" centers
- Straight sections are provided with adequate concentric knockouts (1/2", 3/4" conduit size)
- Knockouts are on 12" centers
- Joiner is included with each straight section
- Unobstructed interior speeds up laying of cables
- Optional hanger brackets allow for vertical or horizontal mounting

### Finish

- Sections and components are finished in ANSI 61 gray. Couplings are unpainted galvanized

## Type 1 Lay-In Wireway *CW Series*

### Wireway & Accessories

#### Hinge Cover - Straight Section

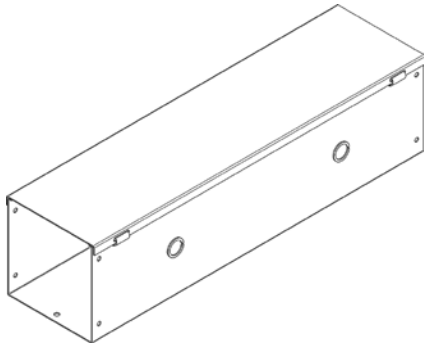
Length	Knock Outs	2.5 x 2.5	4 x 4	6 x 6	8 x 8	10 x 10	12 x 12
12.00	w/KO	CWST212	CWST412	CWST612	CWST812	-	-
18.00	w/KO	-	-	-	-	-	-
24.00	w/KO	CWST224	CWST424	CWST624	CWST824	-	-
36.00	w/KO	CWST236	CWST436	CWST636	CWST836	-	-
48.00	w/KO	CWST248	CWST448	CWST648	CWST848	-	-
60.00	w/KO	CWST260	CWST460	CWST660	CWST860	-	-
72.00	w/KO	CWST272	CWST472	CWST672	CWST872	-	-
96.00	w/KO	CWST296	CWST496	CWST696	CWST896	-	-
120.00	w/KO	CWST2120	CWST4120	CWST6120	CWST8120	-	-
12.00	No KO	CWST212NK	CWST412NK	CWST612NK	CWST812NK	CWST1012NK	CWST1212NK
18.00	No KO	-	CWST418NK	CWST618NK	CWST818NK	-	-
24.00	No KO	CWST224NK	CWST424NK	CWST624NK	CWST824NK	CWST1024NK	CWST1224NK
36.00	No KO	CWST236NK	CWST436NK	CWST636NK	CWST836NK	CWST1036NK	CWST1236NK
48.00	No KO	CWST248NK	CWST448NK	CWST648NK	CWST848NK	CWST1048NK	CWST1248NK
60.00	No KO	CWST260NK	CWST460NK	CWST660NK	CWST860NK	CWST1060NK	CWST1260NK
72.00	No KO	-	CWST472NK	CWST672NK	CWST872NK	CWST1072NK	CWST1272NK
96.00	No KO	-	CWST496NK	CWST696NK	CWST896NK	CWST1096NK	CWST1296NK
120.00	No KO	CWST2120NK	CWST4120NK	CWST6120NK	CWST8120NK	CWST10120NK	CWST12120NK

Wireway &amp; Trough

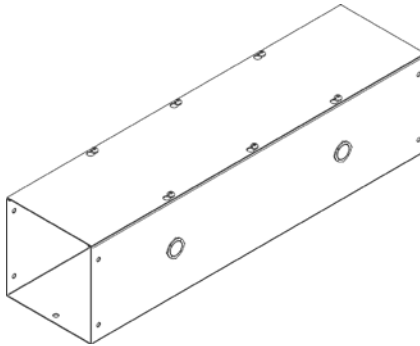
Accessories	2.5 x 2.5	4 x 4	6 x 6	8 x 8	10 x 10	12 x 12
Straight Section Barrier 60"	CWBA260	CWBA460	CWBA660	CWBA860	-	-
Elbow 90 degrees	CWEL290	CWEL490	CWEL690	CWEL890	CWEL1090	CWEL1290
Elbow 45 degrees	CWEL245	CWEL445	CWEL645	CWEL845	CWEL1045	CWEL1245
Elbow 22.5 degrees	CWEL222	CWEL422	CWEL622	CWEL822	-	-
Tee Fitting	CWTF2	CWTF4	CWTF6	CWTF8	CWTF10	CWTF12
Cross Fitting	CWCF2	CWCF4	CWCF6	CWCF8	CWCF10	CWCF12
Reducer 4 x 4 to 2.5 x 2.5	-	CWRD42	-	-	-	-
Reducer 6 x 6 to 4 x 4	-	-	CWRD64	-	-	-
Reducer 8 x 8 to 6 x 6	-	-	-	CWRD86	-	-
Reducer 10 x 10 to 8 x 8	-	-	-	-	CWRD108	-
Reducer 12 x 12 to 8 x 8	-	-	-	-	-	CWRD128
Reducer 12 x 12 to 10 x 10	-	-	-	-	-	CWRD1210
Corner Reducer 4 x 4 to 2.5 x 2.5	-	CWCRD42	-	-	-	-
Corner Reducer 6 x 6 to 4 x 4	-	-	CWCRD64	-	-	-
Corner Reducer 8 x 8 to 6 x 6	-	-	-	CWCRD86	-	-
Bracket Hanger Ceiling Type	CWHD2	CWHD4	CWHD6	CWHD8	CWHD10	CWHD12
Bracket Hanger Wall Type	CWHW2	CWHW4	CWHW6	CWHW8	CWHW10	CWHW12
Closing Plate	CWCP2	CWCP4	CWCP6	CWCP8	CWCP10	CWCP12
Closing Plate w/o Knockouts	CWCP2NK	CWCP4NK	CWCP6NK	CWCP8NK	CWCP10NK	CWCP12NK
Adapter (Box Connector)	CWAD2	CWAD4	CWAD6	CWAD8	CWAD10	CWAD12
Joiner	CWJO2	CWJO4	CWJO6	CWJO8	CWJO10	CWJO12
Telescope Fitting	CWTL2	CWTL4	CWTL6	CWTL8	CWTL10	CWTL12



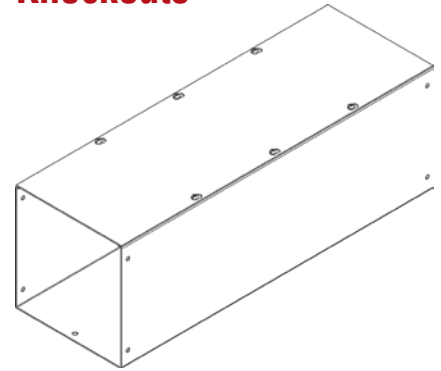
**Type 1 Lay In Hinge  
Cover Wireway**



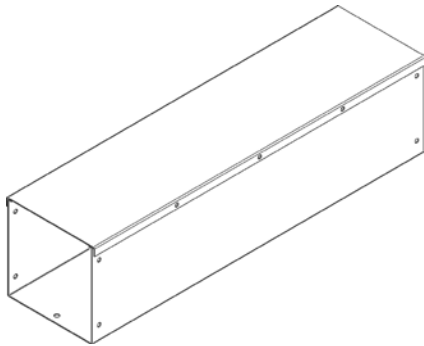
**Type 1 Lay In Screw  
Cover Wireway**



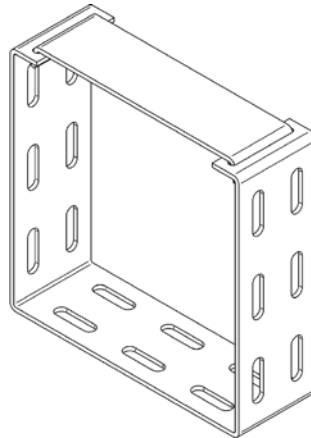
**Type 1 Lay In Screw  
Cover Wireway - w/o  
Knockouts**



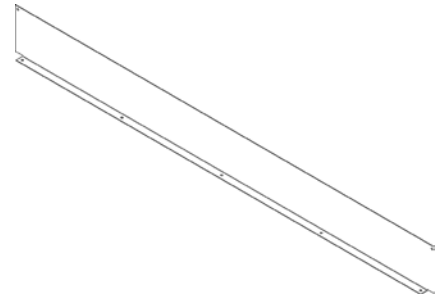
**Type 1 Lay In Hinge  
Cover Wireway - w/o  
Knockouts**



**Joiner**

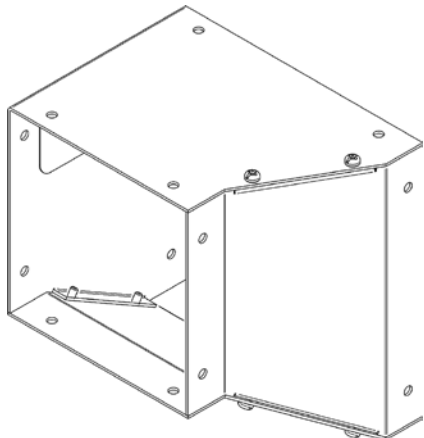


**Straight Section Barrier**

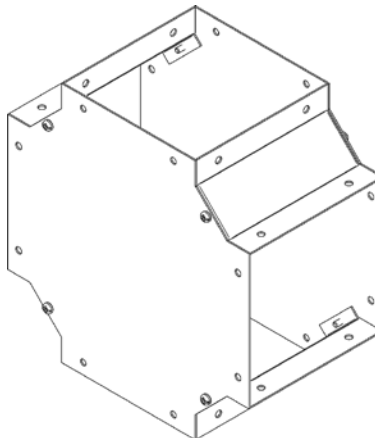


Wireway & Trough

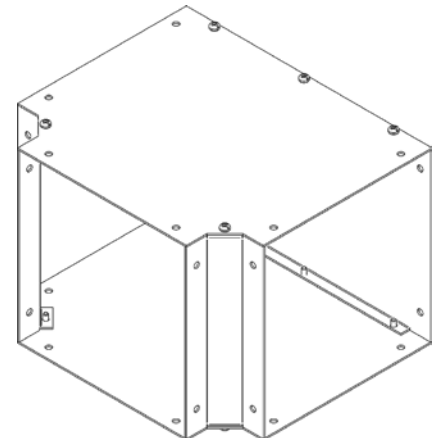
**Corner Reducer**



**Cross Fitting**



**Tee Fitting**

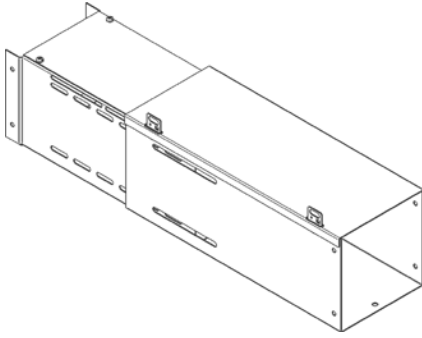


Technical references and CAD downloads available at [www.hammondmfg.com](http://www.hammondmfg.com)

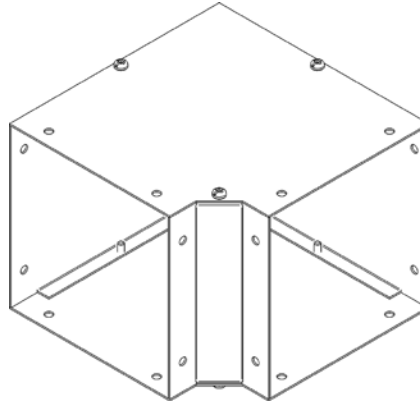
All dimensions in inches unless specified otherwise

**Quality Products. Service Excellence.**

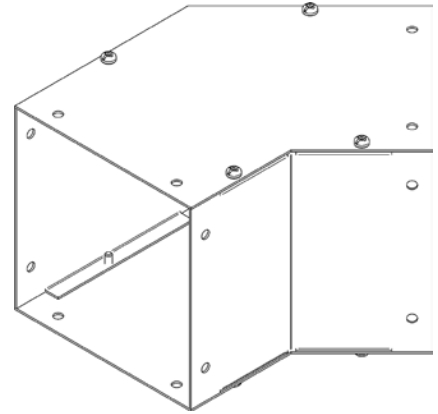
**Telescope Fitting**



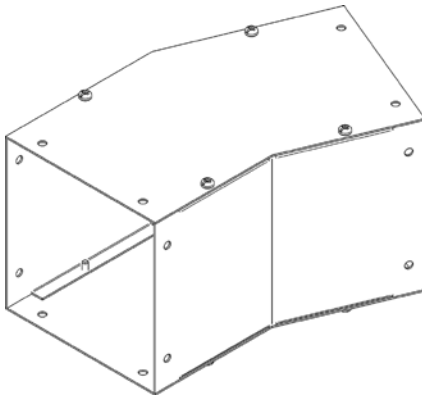
**90 degree Elbow**



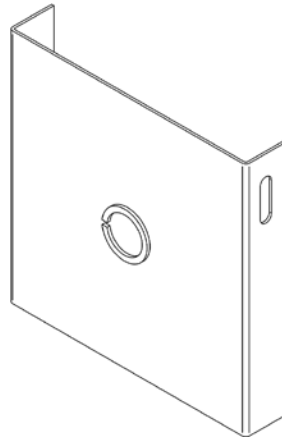
**45 degree Elbow**



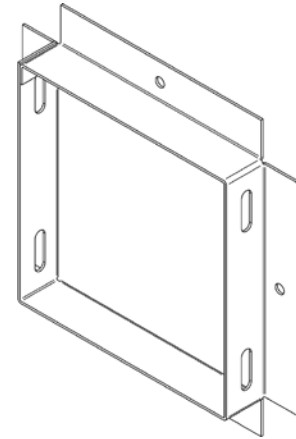
**22.5 degree Elbow**



**Closing Plate**

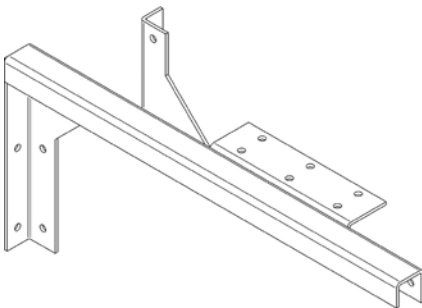


**Adapter (Box Connector)**

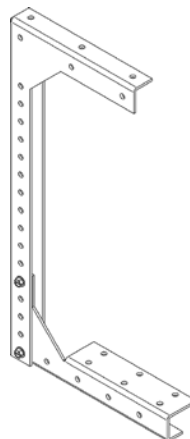


*Wireway & Trough*

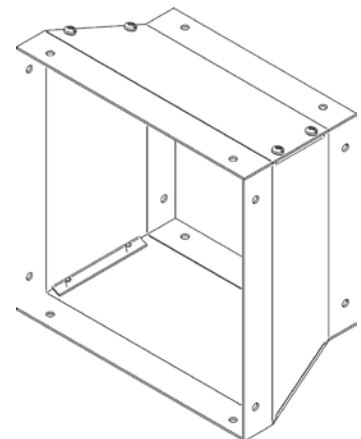
**Bracket Hanger Wall Type**



**Bracket Hanger Ceiling Type**



**Reducer**



## Type 3R Wiring Trough *C3RWT Series*



Quick Link: [hammfg.com/C3RWT](http://hammfg.com/C3RWT)

### Application

- Designed for use to protect multiple wiring junctions in outdoor environments against the ingress of rain, sleet, snow and the external formation of ice.

### Standards

- UL870 Type 3R
- CSA Type 3R
- Complies with
  - NEMA Type 3R
  - IEC 60529, IP24

### Construction

- Formed and spot welded from 14 or 16 gauge galvanized steel
- Drip shield top design protects the enclosure against rain, snow or sleet
- Embossed mounting holes on back of enclosure
- Slip on removable front cover is secured with screws
- Padlocking hasp
- To fully comply with UL870 - 2008 requirements a bonding stud is provided on the cover and a ground stud is provided in the enclosure
- A #10 AWG - 12" grounding strap with crimped on ring terminals is also provided to comply with UL requirements

### Finish

- Enclosure and cover are finished in ANSI 61 gray powder coating.

Part No.	Enclosure		
	H	D	L
C3RWT412	4.00	4.00	12.00
C3RWT418	4.00	4.00	18.00
C3RWT424	4.00	4.00	24.00
C3RWT436	4.00	4.00	36.00
C3RWT448	4.00	4.00	48.00
C3RWT460	4.00	4.00	60.00
C3RWT472	4.00	4.00	72.00
C3RWT612	6.00	6.00	12.00
C3RWT618	6.00	6.00	18.00
C3RWT624	6.00	6.00	24.00
C3RWT636	6.00	6.00	36.00
C3RWT648	6.00	6.00	48.00
C3RWT660	6.00	6.00	60.00
C3RWT672	6.00	6.00	72.00
C3RWT812	8.00	8.00	12.00
C3RWT824	8.00	8.00	24.00
C3RWT836	8.00	8.00	36.00
C3RWT848	8.00	8.00	48.00
C3RWT860	8.00	8.00	60.00

Part No.	Enclosure		
	H	D	L
C3RWT872	8.00	8.00	72.00
C3RWT896	8.00	8.00	96.00
C3RWT8116	8.00	8.00	116.00
C3RWT1024	10.00	10.00	24.00
C3RWT1036	10.00	10.00	36.00
C3RWT1048	10.00	10.00	48.00
C3RWT1060	10.00	10.00	60.00
C3RWT1072	10.00	10.00	72.00
C3RWT1096	10.00	10.00	96.00
C3RWT10116	10.00	10.00	116.00
C3RWT1224	12.00	12.00	24.00
C3RWT1236	12.00	12.00	36.00
C3RWT1248	12.00	12.00	48.00
C3RWT1260	12.00	12.00	60.00
C3RWT1272	12.00	12.00	72.00
C3RWT1284	12.00	12.00	84.00
C3RWT1296	12.00	12.00	96.00
C3RWT12116	12.00	12.00	116.00

Technical references and CAD downloads available at [www.hammondmfg.com](http://www.hammondmfg.com)

All dimensions in inches unless specified otherwise

**Quality Products. Service Excellence.**