



### Technical Data

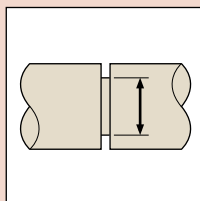
Accuracy: Refer to the list of specifications  
 Resolution\*: .0005" / 0.01mm or 0.01mm  
 Graduation\*\*: 0.05mm  
 Display\*: LCD  
 Length standard\*: ABSOLUTE electrostatic capacitance type linear encoder  
 Max. response speed\*: Unlimited  
 Battery\*: SR44 (1 pc.), **938882**  
 Battery life\*: Approx. 3.5 years under normal use  
 \*Digital models \*\*Analog models

### Function of Digital Model

Origin-set, Zero-setting, Power On/Off, Data output, inch/mm conversion (on inch/metric models only)  
 Alarm: Low voltage, Counting value composition error

### Optional Accessories for Digital Model

**05CZA624**: SPC cable with data switch (40" / 1m)  
**05CZA625**: SPC cable with data switch (80" / 2m)

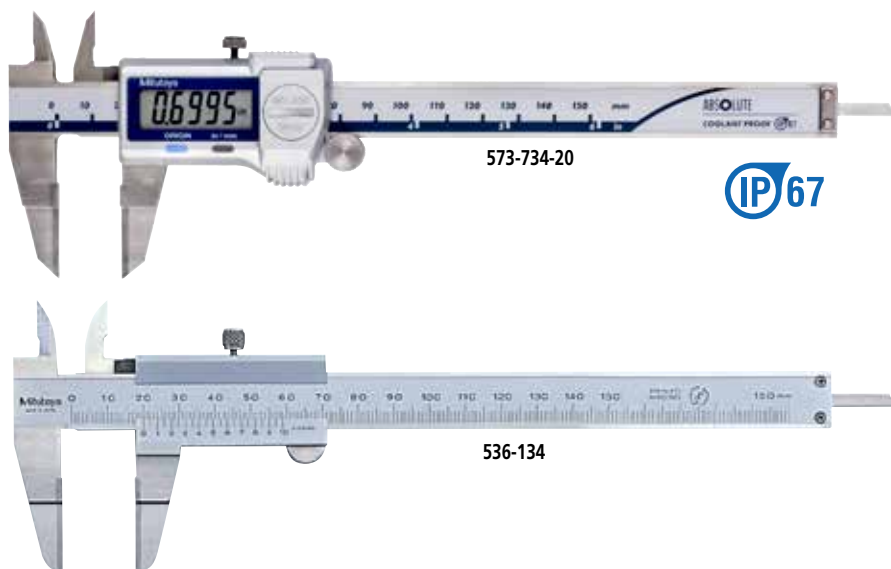


# Blade-Type Caliper

**SERIES 573, 536 — ABSOLUTE Digimatic and Vernier Type**

## FEATURES

- The thin-blade type jaws fit into very small grooves and making previously difficult outside measurements easier to obtain.
- The OD measuring faces are carbide-tipped.
- With depth bar.
- With SPC data output. (Series 573)
- Supplied in fitted plastic case.



## SPECIFICATIONS

Metric		Digital model		
Range	Order No.	Accuracy	Resolution	Mass (g)
0 - 150mm	<b>573-634-20</b>	±0.02mm	0.01mm	168

Inch/Metric		Digital model		
Range	Order No.	Accuracy	Resolution	Mass (g)
0 - 6" / 0 - 150mm	<b>573-734-20</b>	±.001"	.0005" / 0.01mm	168

Metric				
Range	Order No.	Accuracy	Graduation	Mass (g)
0 - 150mm	<b>536-134</b>	±0.05mm	0.05mm	130
0 - 200mm	<b>536-135</b>	±0.05mm	0.05mm	160
0 - 300mm	<b>536-136</b>	±0.08mm	0.05mm	340

## DIMENSIONS

**Analog model**

**Digital model**

Unit: mm

Range	D	d	e	t
0 - 6" / 0 - 150mm	40	20	0.75	3
0 - 200mm	50	25	0.75	3
0 - 300mm	64	30	1	3.8