

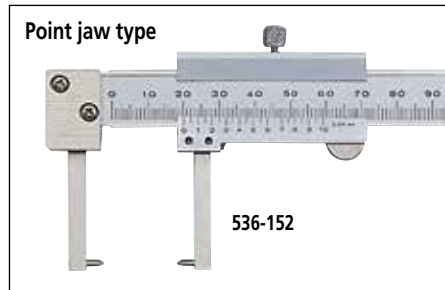
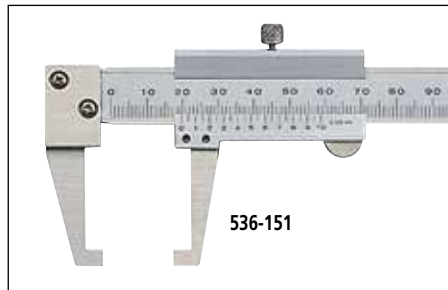
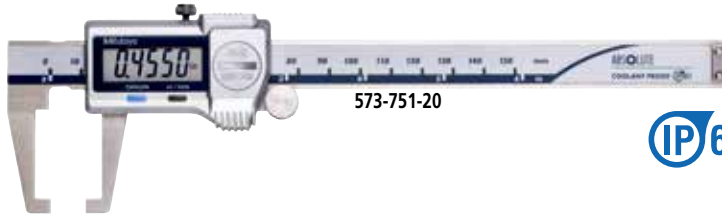
# Neck Caliper

**SERIES 573, 536 — ABSOLUTE Digimatic and Vernier Type**



## FEATURES

- Point-jaw type can measure wall thickness inside bores and recesses.
- Flat-jaw type can measure grooves and recesses.
- With SPC data output. (Series 573)
- Supplied in fitted plastic case.



## SPECIFICATIONS

**Metric** Digital model

Range	Order No.	Accuracy	Resolution	Mass (g)
0 - 150mm	<b>573-651-20</b>	±0.03mm	0.01mm	157
0 - 150mm	<b>573-652-20*</b>	±0.03mm	0.01mm	157

\*Point jaw type

**Inch/Metric** Digital model

Range	Order No.	Accuracy	Resolution	Mass (g)
0 - 6" / 0 - 150mm	<b>573-751-20</b>	±.0015"	.0005" / 0.01mm	157
0 - 6" / 0 - 150mm	<b>573-752-20*</b>	±.0015"	.0005" / 0.01mm	157

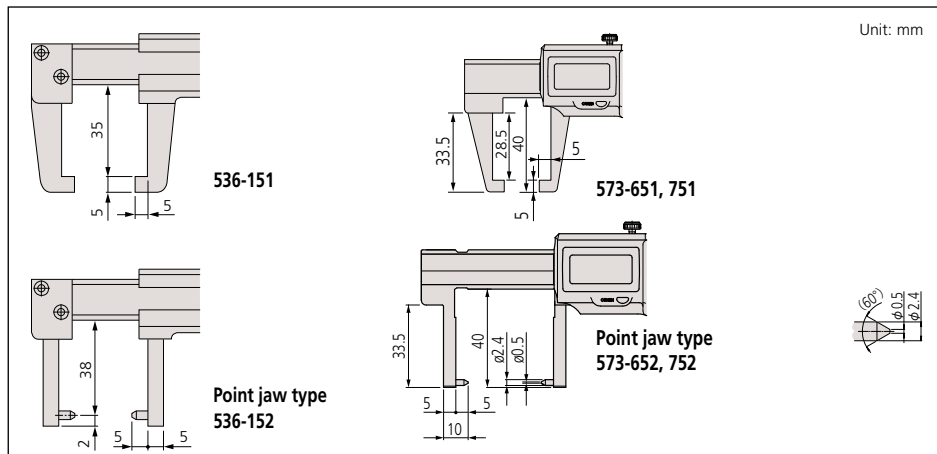
\*Point jaw type

**Metric**

Range	Order No.	Accuracy	Graduation	Mass (g)
0 - 150mm	<b>536-151</b>	±0.05mm	0.05mm	140
0 - 150mm	<b>536-152*</b>	±0.05mm	0.05mm	140

\*Point jaw type

## DIMENSIONS



## Technical Data

Accuracy: Refer to the list of specifications  
 Resolution\*: 0.01mm or .0005"/0.01mm  
 Graduation\*\*: 0.05mm  
 Display\*: LCD  
 Length standard\*: ABSOLUTE electrostatic capacitance type linear encoder  
 Max. response speed\*: Unlimited  
 Battery\*: SR44 (1 pc.), **938882**  
 Battery life\*: Approx. 3.5 years under normal use  
 \*Digital models \*\*Analog models

## Function of Digital Model

Origin-set, Zero-setting, Power On/Off, Data output, inch/mm conversion (on inch/metric models only)  
 Alarm: Low voltage, Counting value composition error

## Optional Accessories for Digital Model

- 05CZA624**: SPC cable with data switch (1m / 40")
- 05CZA625**: SPC cable with data switch (2m / 80")

