



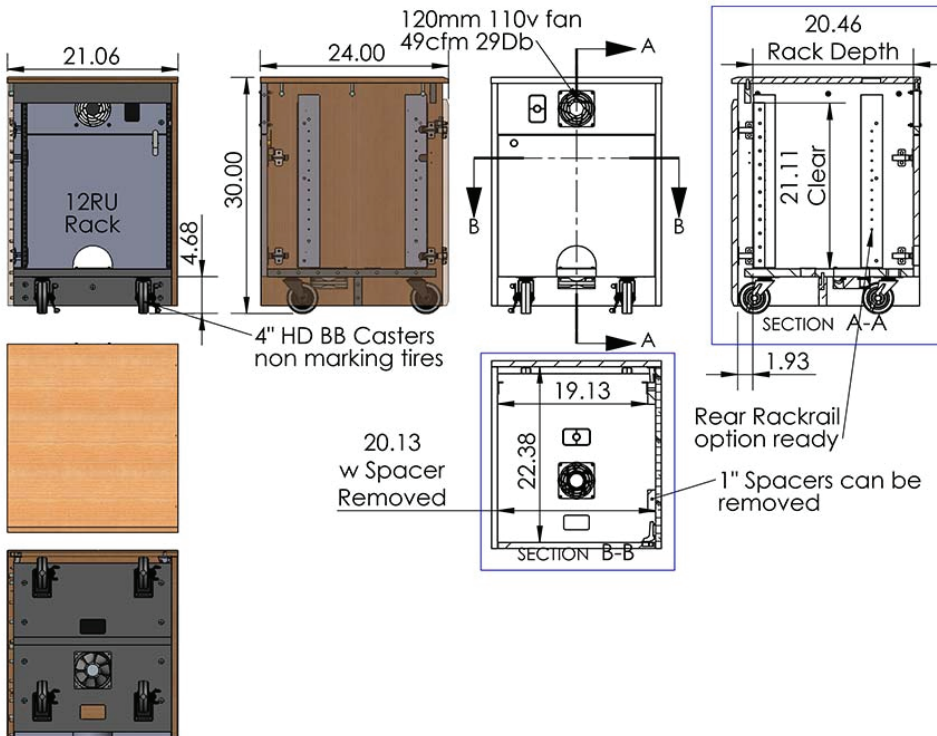
**CR1000EX** is a fully assembled executive credenza with traditional furniture design. The elegant laminate finish is enhanced by the beveled door and precision European hardware. Can be butted together to span a room or wall.

**Standard Features**

- Thermowrap surf(x) finish
- Locking front and rear doors
- **RR12** 12U rack rails
- **FAN** Quiet cooling fan
- 4" heavy duty casters (2 locking)
- Can be butted together to span a room or wall
- Ships assembled

**Options**

- **MM1232** Monitor and camera mount (12" - 32")
- **PM2-S** Single monitor mount (37"-60" – 200 lbs max)
- **PB** Six outlet power bar with 10 ft. cord
- **TVCB** Camera bracket for freestanding or wall mount TV's
- **CS** Wall mount camera or codec shelf
- **FAN** Additional quiet cooling fan
- **RR12** Additional 12U space rack rails (Rear)
- **9107** Lacing bar (19" long)
- **9031** Vented metal shelf
- **9041** Sliding shelf
- **9052** Sliding drawer
- **MAGKEY** Additional key for hidden locks
- **LEV4AX4** 4x Levelers for non-mobile applications



**Specifications**

**Model:** CR1000EX  
**Width:** 21"  
**Depth:** 24"  
**Height:** 30"

**Finishes**



Other finishes are available. Check website.

The information contained in this drawing is the sole property of Audio Visual Furniture International. Any reproduction in part or as a whole without the written permission of Audio Visual Furniture International is prohibited. AVFI can build or modify stock configurations to suit customer specifications. Please contact us to discuss how this service can help meet your needs. Some quantity restrictions may apply. Specification subject to change without notice. Computers, cameras, monitors, etc. are shown to illustrate product usage and are not included unless otherwise noted.



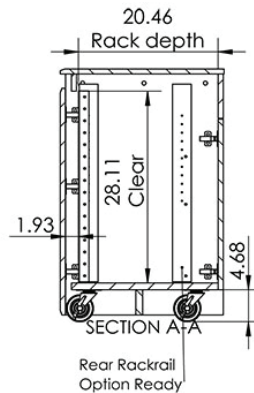
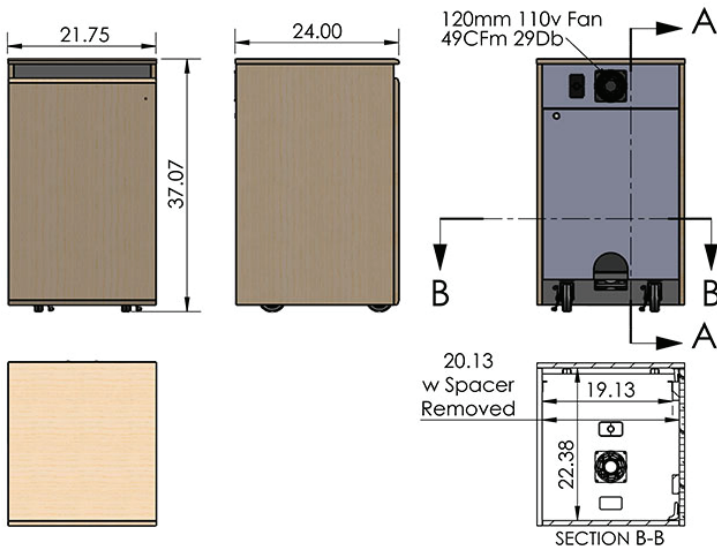
**CR1016EX** is a 16U executive credenza with traditional furniture design. The elegant laminate finish is enhanced by the beveled door and precision European hardware. Can be butted together to span a room or wall.

**Standard Features**

- Thermowrap surf(x) finish
- Locking front and rear doors
- **RR16** 16U rack rails
- **FAN** Quiet cooling fan
- 4" heavy duty casters (2 locking)
- Can be butted together to span a room or wall
- Ships assembled

**Options**

- **MM1232** Monitor and camera mount (12" - 32")
- **PM2-S** Single monitor mount (37"-60" – 200 lbs max)
- **PB** Six outlet power bar with 10 ft. cord
- **TVCB** Camera bracket for freestanding or wall mount TV's
- **CS** Wall mount camera or codec shelf
- **FAN** Additional quiet cooling fan
- **RR16** Additional 16U space rack rails (Rear)
- **9107** Lacing bar (19" long)
- **9031** Vented metal shelf
- **9041** Sliding shelf
- **9052** Sliding drawer
- **MAGKEY** Additional key for hidden locks
- **LEV4AX4** 4x Levelers for non-mobile applications



Side by side with CR3000EX (Sold separately)  
(70" TV shown)

**Specifications**

- Model:** CR1016EX
- Width:** 21"
- Depth:** 24"
- Height:** 37"
- Note:** Usable rack depth - 20"

**Finishes**



Other finishes are available. Check website.

The information contained in this drawing is the sole property of Audio Visual Furniture International. Any reproduction in part or as a whole without the written permission of Audio Visual Furniture International is prohibited. AVFI can build or modify stock configurations to suit customer specifications. Please contact us to discuss how this service can help meet your needs. Some quantity restrictions may apply. Specification subject to change without notice. Computers, cameras, monitors, etc. are shown to illustrate product usage and are not included unless otherwise noted.



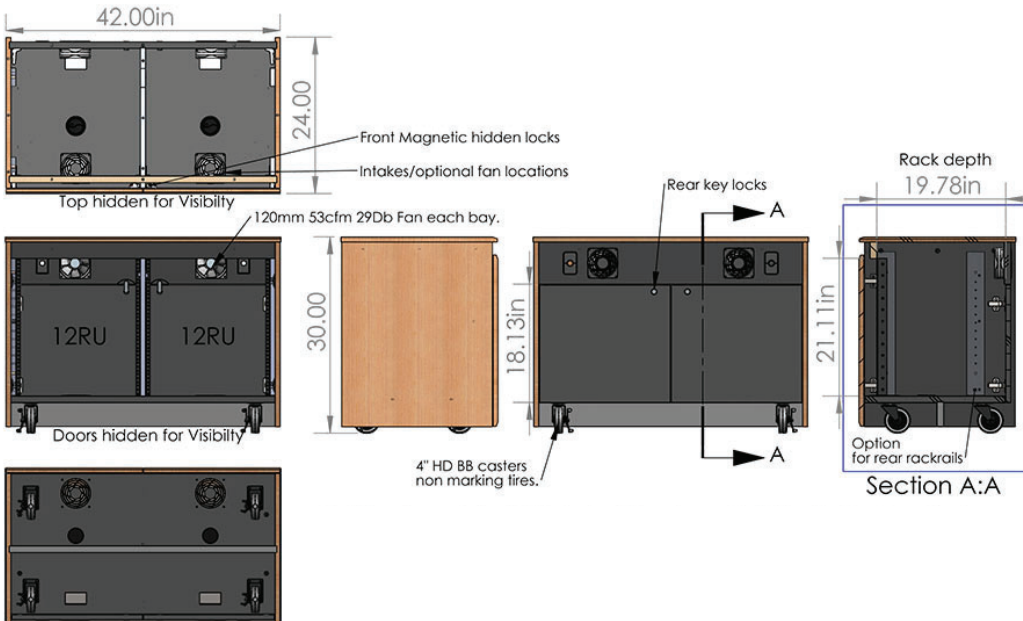
CR2000EX is a fully assembled, executive dual rack credenza with traditional furniture design. Elegant laminates enhanced by matching beveled doors and precision European hardware. Can be butted together to span a room or wall.

**Standard Features**

- Thermowrap surf(x) finish
- Matching bevelled front doors
- Locking front and rear doors
- RR12 12U rack rails
- FAN Quiet cooling fan
- 4" heavy duty casters (2 locking)
- Can be butted together to span a room or wall
- Ships assembled

**Options**

- PM2-S Single monitor mount (37"-60"—200 lbs max)
- PM2-XL Single XL monitor mount (60"-90"—200 lbs max)
- PB Six outlet power bar with 10 ft. cord
- TVCB Camera bracket for freestanding or wall mount TV's
- CS Wall mount camera or codec shelf
- FAN Additional quiet cooling fan
- RR12 Additional 12U space rack rails (Rear)
- 9107 Lacing bar (19" long)
- 9031 Vented metal shelf
- 9041 Sliding shelf
- 9052 Sliding drawer
- MAGKEY Additional key for hidden locks
- CR-A-DR Credenza acrylic door
- LEV4AX4 4x Levelers for non-mobile applications



**Specifications**

**Model:** CR2000EX  
**Width:** 42"  
**Depth:** 24"  
**Height:** 30"

**Finishes**



Other finishes are available. Check website.

The information contained in this drawing is the sole property of Audio Visual Furniture International. Any reproduction in part or as a whole without the written permission of Audio Visual Furniture International is prohibited. AVFI can build or modify stock configurations to suit customer specifications. Please contact us to discuss how this service can help meet your needs. Some quantity restrictions may apply. Specification subject to change without notice. Computers, cameras, monitors, etc. are shown to illustrate product usage and are not included unless otherwise noted.



**CR2-WM** is a fully assembled, wall secured dual rack credenza with a traditional furniture design. Elegant laminates enhanced by matching beveled doors and precision European hardware. Each bay is equipped with 3 space racks mounted sideways. A built-in sound bar shelf allows easy Audio Integration. Side doors and front lift-off panels provide easy access to your electronics. Being less than 9" deep, **CR2-WM** is ideal for high traffic areas or hallways. Compatible with AVFI tables either with or without bridges.

**Standard Features**

- Secures to wall and saves space at under 9" deep
- Sound bar shelf with height adjustment (SB max dims of 54"W x 6"D x 6.5"H)
- Highly resistant thermowrap surface available in many colors
- **RR3** 3U rack rails per side (6U total)
- Lift-off locking front panels for access to racks and wiring
- Locking side doors for quick access to front of rack units
- Compatible with AVFI tables with and without Bridge
- Vents at top and bottom with option to add up to 4 fans
- Ships assembled

**Options**

- **PB** Six outlet power bar with 10 ft. cord
- **TVCB** Camera bracket for freestanding or wall mount TV's
- **CS** Wall mount camera or codec shelf
- **FAN** Additional quiet cooling fan
- **9107** Lacing bar (19" long)
- **WM-3755** Tilt wall mount

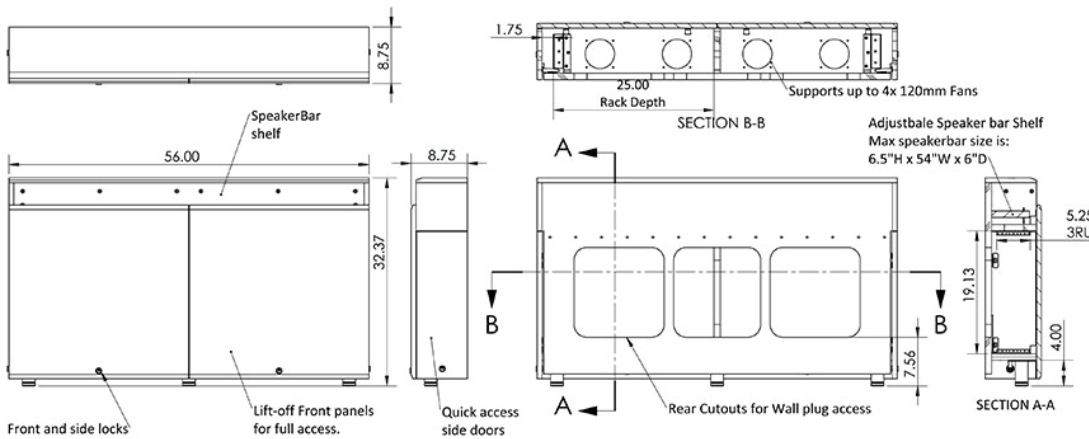
**Specifications**

**Model:** CR2-WM  
**Width:** 56"  
**Depth:** 8.75"  
**Height:** 32.5"

**Finishes**



Other finishes are available. Check website.



The information contained in this drawing is the sole property of Audio Visual Furniture International. Any reproduction in part or as a whole without the written permission of Audio Visual Furniture International is prohibited. AVFI can build or modify stock configurations to suit customer specifications. Please contact us to discuss how this service can help meet your needs. Some quantity restrictions may apply. Specification subject to change without notice. Computers, cameras, monitors, etc. are shown to illustrate product usage and are not included unless otherwise noted.



**CR3000EX** is a minimalist design tech-credenza designed for business conference room environments. Featuring three rack bays with twelve rack spaces each and a dedicated heat exhaust fan per bay. Innovative hidden lock design allows for a seamless look while still providing security for your electronics. Can be butted together to span a room or wall.

**Standard Features**

- Clean minimalist design
- Hidden locks and handles on front
- 3 bays 12U rack rails 18 3/4" deep (10-32 screws)
- Locking front and rear doors
- Scratch resistant thermowrap surfaces
- **FAN** Quiet cooling fan
- Many color options
- Compatible with our mounts (Requires drilling)
- 4" heavy duty ballbearing casters, 2 locking
- Can be butted together to span a room or wall
- Compatible with our video conference tables

**Options**

- **PM2-D** Dual monitor mount (42"-70" – 200 lbs total max)
- **PM2-XL** Single XL monitor mount (60"-90 –200 lbs max)
- **PB** Six outlet power bar with 10 ft. cord
- **TVCB** Camera bracket for freestanding or wall mount TV's
- **CS** Wall mount camera or codec shelf
- **9107** Lacing bar (19" long)
- **9031** Vented metal shelf
- **9041** Sliding shelf
- **9052** Sliding drawer
- **RR12** Additional 12U space rack rails (Rear)
- **MAGKEY** Additional key for hidden locks
- **CR-A-DR** Credenza acrylic door
- **LEV4AX6** 6x Levelers for non-mobile applications



**Specifications**

**Model:** CR3000EX  
**Width:** 63 5/8"  
**Depth:** 24"  
**Height:** 30 1/8"

**Finishes**



Other finishes are available. Check website.

The information contained in this drawing is the sole property of Audio Visual Furniture International. Any reproduction in part or as a whole without the written permission of Audio Visual Furniture International is prohibited. AVFI can build or modify stock configurations to suit customer specifications. Please contact us to discuss how this service can help meet your needs. Some quantity restrictions may apply. Specification subject to change without notice. Computers, cameras, monitors, etc. are shown to illustrate product usage and are not included unless otherwise noted.



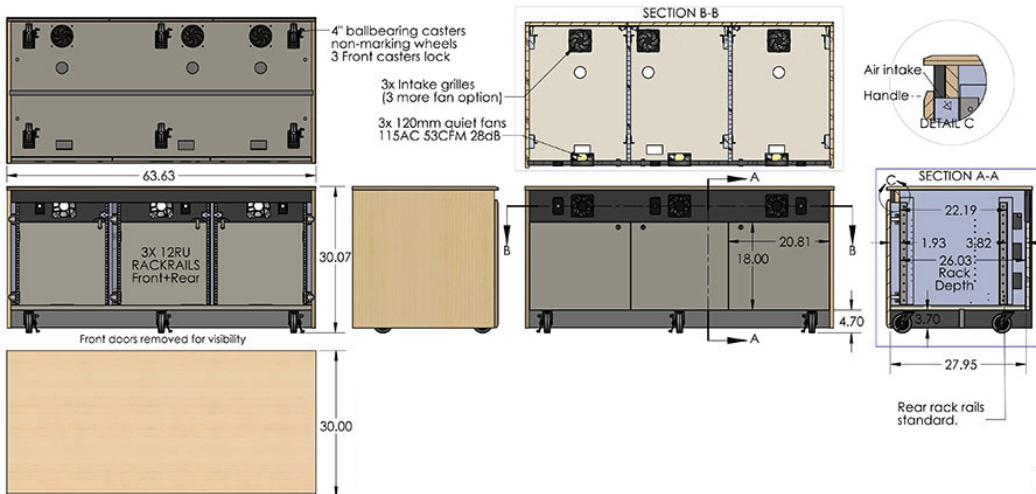
CR3030EX is a minimalist design tech-credenza designed for business conference room environments. Featuring three rack bays with twelve rack spaces each and a dedicated heat exhaust fan per bay. Innovative hidden lock design allows for a seamless look while still providing security for your electronics. Can be butted together to span a room or wall.

**Standard Features**

- Hidden locks and handles on front
- Front and rear rack rails
- 3 bays 12U rack rails 26" deep (10-32 screws)
- Locking front and rear doors
- Scratch resistant thermowrap surfaces
- **FAN** Quiet cooling fan
- Many color options
- Compatible with our mounts (Requires drilling)
- 4" heavy duty ballbearing casters, 2 locking
- Can be butted together to span a room or wall
- Compatible with our video conference tables

**Options**

- **PM2-D** Dual monitor mount (42"-70" – 200 lbs total max)
- **PM2-XL** Single XL monitor mount (60"-90 –200 lbs max)
- **PB** Six outlet power bar with 10 ft. cord
- **TVCB** Camera bracket for freestanding or wall mount TV's
- **CS** Wall mount camera or codec shelf
- **9107** Lacing bar (19" long)
- **9031** Vented metal shelf
- **9041** Sliding shelf
- **9052** Sliding drawer
- **RR12** Additional 12U space rack rails (Rear)
- **MAGKEY** Additional key for hidden locks
- **CR-A-DR** Credenza acrylic door
- **LEV4AX6** 6x Levelers for non-mobile applications



**Specifications**

**Model:** CR3030EX  
**Width:** 63 5/8"  
**Depth:** 30"  
**Height:** 30 1/8"

**Finishes**



Other finishes are available. Check website.

The information contained in this drawing is the sole property of Audio Visual Furniture International. Any reproduction in part or as a whole without the written permission of Audio Visual Furniture International is prohibited. AVFI can build or modify stock configurations to suit customer specifications. Please contact us to discuss how this service can help meet your needs. Some quantity restrictions may apply. Specification subject to change without notice. Computers, cameras, monitors, etc. are shown to illustrate product usage and are not included unless otherwise noted.



**CR3-WM** is a wall secured triple rack credenza with a traditional furniture design. Elegant laminates enhanced by matching beveled doors and precision European hardware. Each bay is equipped with 3 space racks mounted sideways. A built-in sound bar shelf allows easy Audio Integration. Side doors and front lift-off panels provide quick access to your electronics. Being less than 9" deep, **CR3-WM** adds ADA compliance to wall mounted Screens and is ideal for high traffic areas or hallways. Compatible with AVFI tables either with or without bridges.

**Standard Features**

- Adds ADA compliance when placed below wall hanging 70" to 90" TV
- Secures to wall and saves space at under 9" deep
- Sound bar shelf with height adjustment (SB max dims of 82"W x 6"D x 6.5"H)
- Highly resistant thermowrap surface available in many colors
- **RR3** 3U rack rails per bay (9U total)
- Lift-off locking front panels for access to racks and wiring
- Locking side doors for quick access to front of rack units
- Compatible with AVFI tables with and without Bridge
- Vents at top and bottom with option to add up to 4 fans
- Ships assembled

**Options**

- **PB** Six outlet power bar with 10 ft. cord
- **TVCB** Camera bracket for freestanding or wall mount TV's
- **CS** Wall mount camera or codec shelf
- **FAN** Additional quiet cooling fan
- **9107** Lacing bar (19" long)
- **WM-3755** Tilt wall mount

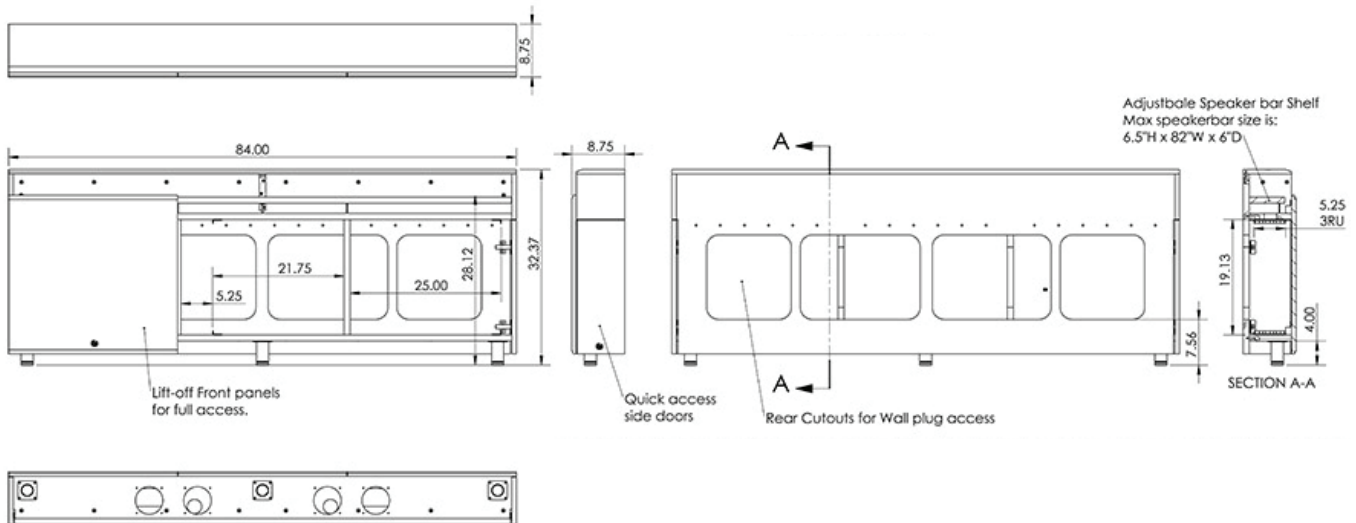
**Specifications**

**Model:** CR3-WM  
**Width:** 84"  
**Depth:** 8.75"  
**Height:** 32.5"

**Finishes**



Other finishes are available. Check website.



The information contained in this drawing is the sole property of Audio Visual Furniture International. Any reproduction in part or as a whole without the written permission of Audio Visual Furniture International is prohibited. AVFI can build or modify stock configurations to suit customer specifications. Please contact us to discuss how this service can help meet your needs. Some quantity restrictions may apply. Specification subject to change without notice. Computers, cameras, monitors, etc. are shown to illustrate product usage and are not included unless otherwise noted.