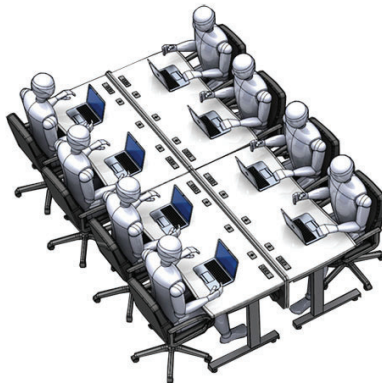




DS6330S-FX (Single user)



DS6330D-FX (Dual user)



The **DS6330** training desk is the ideal solution for high tech classrooms, lecture halls and corporate training sites. Model **DS6330S-FX** is for single user and **DS6330D-FX** is for dual users. It features a large work surface with easily accessible power and grommets for electronics and charging devices. Extra charge for custom cutouts for electronics or other items specified by the customer.

Standard Features

- Made with highly resistant thermowrap surface available in many colors surf(x)
- Large 63" W x 30" D work surface to accommodate monitors, laptops and documents
- Modesty panel with cable management
- Durable legs with adjustable levelling feet
- Dual (model DS6330D-FX) or single (model DS6330S-FX) user design available
- 2X SF-PB3 (Surface mounted 3-outlet 120V power bar with 10 ft. cord) on the dual model and 1X PC-PATCH (2x 110AC, RJ45, Phone, 2x USB) on the single model
- Minor assembly required

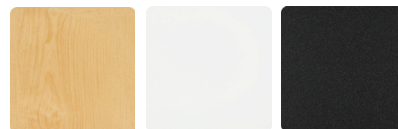
Options

- **PCH730** Under desk CPU holder (Single model only)
- **PB** Six outlet power bar with 10 ft. cord
- **C900S** 15" - 24" Adjustable monitor arm
- **C900D** Adjustable dual monitor arm. Holds monitors up to 22" horizontal width each
- **CHGQIW/B** Wireless charging station white or black
- **CHGQI-DNGL** Dongle Lightning, USB Type-C, Micro-USB. (Requires CHGQIW/B)
- **CUSTOM CUTOUT** Cutouts for electronics or other items specified by the customer
- Adjustable height version also available (DS6330-LFT)

Specifications

Model: DS6330S-FX / DS6330D-FX
Width: 63"
Depth: 30"
Height: 29"

Finishes



Other finishes are available with a longer lead time. Check website.

The information contained in this drawing is the sole property of Audio Visual Furniture International. Any reproduction in part or as a whole without the written permission of Audio Visual Furniture International is prohibited. AVFI can build or modify stock configurations to suit customer specifications. Please contact us to discuss how this service can help meet your needs. Some quantity restrictions may apply. Specification subject to change without notice. Computers, cameras, monitors, etc. are shown to illustrate product usage and are not included unless otherwise noted.

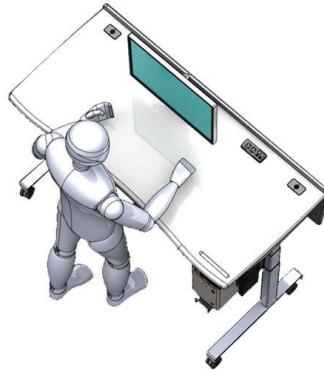


Shown with Options
Modesty panel not exactly as shown

The **DS6330-LFT** is an adjustable height sit/stand desk ideal for high tech classrooms, lecture halls and corporate training sites. It features a large work surface with easily accessible power and grommets for electronics and charging devices. Powered by industry proven Linak® electric actuators with push-button height adjustment (28" - 52") and height readout LCD. Will adjust from sit to standing position with 3 user memory height settings.

Standard Features

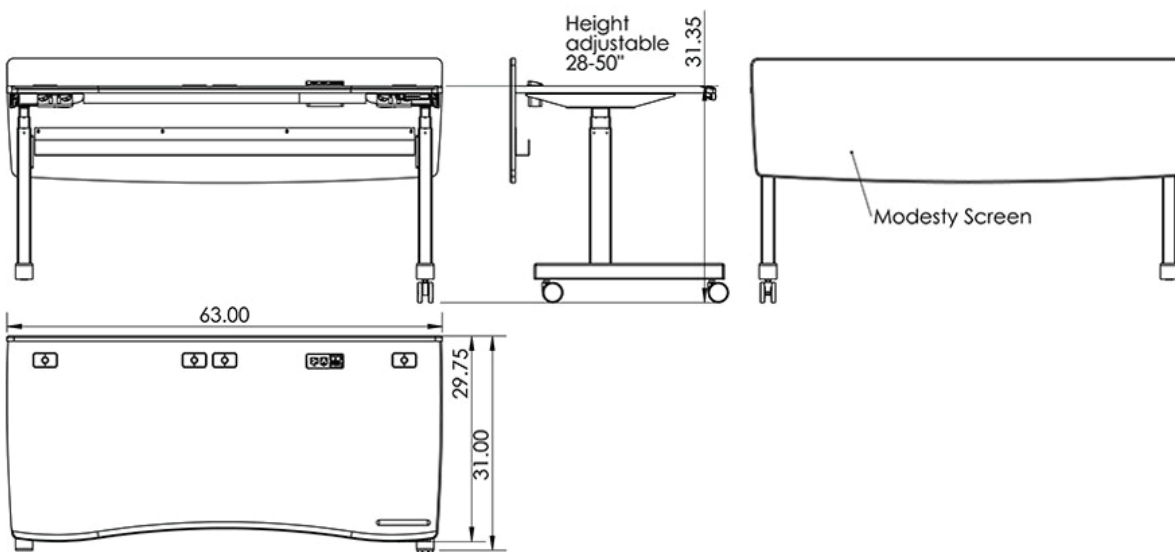
- ADA compliant
- Made with highly resistant thermowrap available in many colors
- Large 63" W x 30" D work surface to accommodate monitors, laptops and documents
- Modesty panel with cable management
- Linak® electric actuators with push-button height adjustment (28" - 52") and LCD display
- **PC-PATCH** 2x 110AC, RJ45, Phone, 2x USB power panel



Shown with Options

Options

- **C900S** 15" - 24" Adjustable monitor arm
- **C900D** Adjustable dual monitor arm
- **PB** Six outlet power bar with 10 ft. cord
- **CHGQIW/B** Wireless charging station white or black
- **CHGQI-DNGL** Dongle Lightning, USB Type-C, Micro-USB. (Requires CHGQIW/B)
- **PCH730** Under desk computer holder
- **CUSTOM CUTOUT** Cutouts for electronics or other items specified by the customer
- Fixed height version also available - Model DS6330



Specifications

Model: DS6330-LFT
Width: 63"
Depth: 30"
Height: 28" - 52"

Finishes



Other finishes are available with a longer lead time. Check website.

The information contained in this drawing is the sole property of Audio Visual Furniture International. Any reproduction in part or as a whole without the written permission of Audio Visual Furniture International is prohibited. AVFI can build or modify stock configurations to suit customer specifications. Please contact us to discuss how this service can help meet your needs. Some quantity restrictions may apply. Specification subject to change without notice. Computers, cameras, monitors, etc. are shown to illustrate product usage and are not included unless otherwise noted.



DSYZ6030RK-L shown



DSYZ6030RK-L (rack on left side) and DSYZ6030RK-R (rack on right side) are multi-functional desks with 12U rack rails included. It is the ideal solution for teachers, students, and AV producers.

Standard Features

- Large top surface to accommodate multiple monitors
- Grommets on top and sides organize the wires on the desk
- The 12U equipment rack can be purchased on the left (model DSYZ6030RK-L) or right (model DSYZ6030RK-R) side of the unit
- 12U front space rack rails, bottom and side grill for ventilation
- Rear and front locking doors to provide easy access to your electronics
- Long modesty panel
- Levelers on side gables
- Available in furniture grade laminate
- Ships fully assembled

Options

- **PLM1022** 10" - 24" Monitor mount
- **C900S** 15" - 24" Adjustable monitor arm
- **C900D** Adjustable dual monitor arm
- **MM1232** 12" - 32" monitor mount
- **PB** Six outlet power bar with 10 ft. cord
- **PC-PATCH** 2x 110AC, RJ45, Phone, 2x USB
- **CUB3** Round cable well
- **CUB4** Black-B/Silver-S Power Panel
- **CUB5** Round cable well
- **CUB8** Table top cable well
- **CHGQIW/B** Wireless charging station white or black
- **CHGQI-DNGL** Dongle Lightning, USB Type-C, Micro-USB. (Requires CHGQIW/B)
- **FAN** Quiet cooling fan
- **9031-1/2/3** 1U/2U/3U Utility metal shelf
- **CUSTOM CUTOUT** Cutouts for electronics or other items specified by the customer

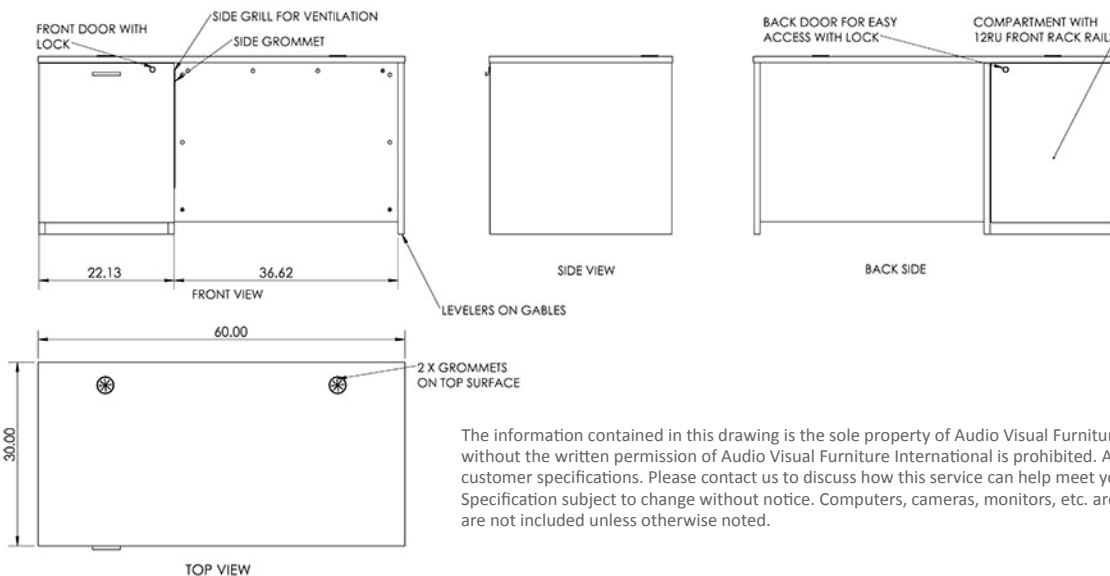
Specifications

Model: DSYZ6030RK-L/R
Width: 60"
Depth: 30"
Height: 29"

Standard Finishes (Ships within 1-14 days)



Other finishes are available. Check website.



The information contained in this drawing is the sole property of Audio Visual Furniture International. Any reproduction in part or as a whole without the written permission of Audio Visual Furniture International is prohibited. AVFI can build or modify stock configurations to suit customer specifications. Please contact us to discuss how this service can help meet your needs. Some quantity restrictions may apply. Specification subject to change without notice. Computers, cameras, monitors, etc. are shown to illustrate product usage and are not included unless otherwise noted.



The teaching multimedia desk is the ideal mobile solution for high tech classrooms, lecture halls and corporate training sites. Model **EDU-MD** features EIA compliant 14U rack rails in a fan vented housing. An articulating keyboard and mouse tray slides out from under the large work surface.

Standard Features

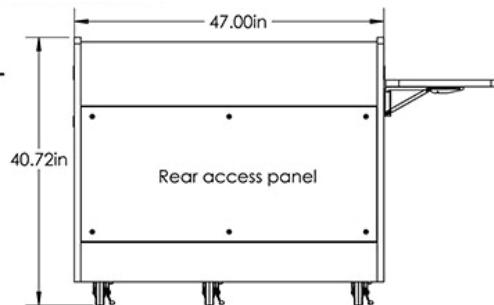
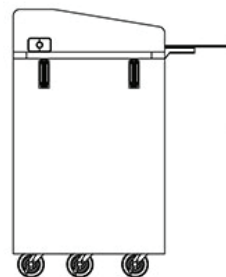
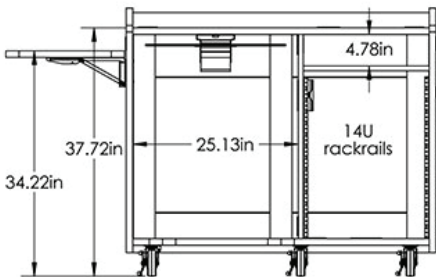
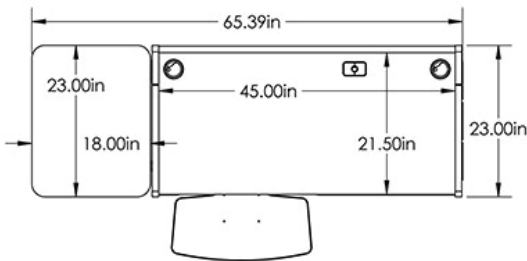
- Made with furniture grade laminates
- Large 45" W x 21.5" D work surface to accommodate monitors, laptops and presentation documents
- Slide-out articulating keyboard tray with mousepad
- Folding side shelf - Black only
- 14U EIA compliant threaded rack rails (10-32 screws)
- Storage cubby 19.25" W x 21.5" D x 5.5" H
- **FAN** Quiet cooling fan
- Removable panel for rear access
- Heavy-duty locking casters for easy maneuvering
- Ships assembled

Options

- **C900S** 15" - 24" Adjustable monitor arm
- **C900D** Adjustable dual monitor arm
- **PLM1022** 10" - 24" Monitor mount
- **MM1232** 12" - 32" monitor mount
- **MCB1925** 19" - 25" Monitor/camera bracket
- **FM3** Count down timer/clock
- **MIC-18** MX418 S/C Shure Gooseneck microphone
- **LIGHT-18** Littlite Gooseneck
- **FAN** Quiet cooling fan
- **PB** Six outlet power bar with 10 ft. cord
- **PC-PATCH** 2x 110AC, RJ45, Phone, 2x USB
- **SF-PB3** Surface mounted 3-outlet 120V power bar
- **CUB3** Round cable well (Up to 2)
- **CUB4** Black-B/Silver-S Power Panel
- **CUB5** Round cable well (Black or Silver)
- **CUB8** Table top cable well
- **CHGQIW/B** Wireless charging station white or black
- **CHGQI-DNGL** Dongle Lightning, USB Type-C, Micro-USB. (Requires CHGQIW/B)
- **9031/9052** Metal shelf/drawer
- **EDU-MD Door** Locking acrylic door
- **SH-FL** Additional folding shelf on other side
- **9107** Lacing bar (19" long)
- **LEV4AX5** 5x Levelers for non-mobile applications
- **CUSTOM CUTOUT** Cutouts for electronics or other items specified by the customer



Optional acrylic door (Sold separately)



Specifications

Model: EDU-MD
Width: 49"
Depth: 23"
Height: 41

Finishes



Other finishes are available with a longer lead time. Check website.

The information contained in this drawing is the sole property of Audio Visual Furniture International. Any reproduction in part or as a whole without the written permission of Audio Visual Furniture International is prohibited. We can build or modify stock configurations to suit customer specifications. Please contact us to discuss how this service can help meet your needs. Some quantity restrictions may apply. Specification subject to change without notice. Computers, cameras, monitors, etc. are shown to illustrate product usage and are not included unless otherwise noted.