



An alternative to bare metal racks, we have developed a complete line of deluxe AV rack enclosures. Front EIA compliant racks are available in 3 sizes, 12U (**RACK-12**), 16U (**RACK-16**) and 21U (**RACK-21**) units. These mobile racks have locking tinted acrylic front and solid laminate rear doors which allow better access to your electronics than previous AV-series designs.

Standard Features

- Made with furniture grade laminates
- EIA compliant, threaded rack rails (10-32 screws)
- Large top cable access vent
- Locking tinted acrylic front door
- Locking rear door with fan cutout
- Heavy-duty locking casters for easy maneuvering
- Ships assembled

Options

- **PB** Six outlet power bar with 10 ft. cord
- **FAN** Quiet cooling fan
- **C900S** 15" - 24" Adjustable monitor arm
- **C900D** Adjustable dual monitor arm. Holds monitors up to 22" horizontal width each
- **MM1232** 12" - 32" (Some 37") Monitor/TV mount
- **9107** Lacing bar (19" long)
- **9031-2** Vented metal shelf
- **9041** Sliding shelf
- **9052** Sliding drawer
- **RR12/RR16/RR21** 12U/16U/21U Rear rack rails
- **CASTER** 6" Metal caster with gray non-marking tire (2 locking)
- **LEV4AX4** 4x Levelers for non-mobile applications
- **CUSTOM CUTOUT** Cutouts for electronics or other items specified by the customer



Specifications

Model: RACK 12/16/21
Width: 22-7/8"
Depth: 26-7/8"
Height: 27-5/8" - 34-5/8" - 43-3/8"

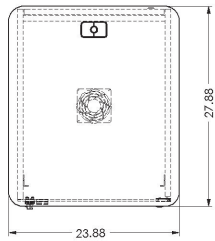
Finishes



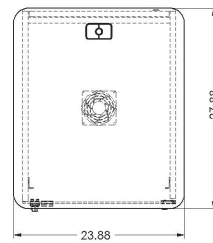
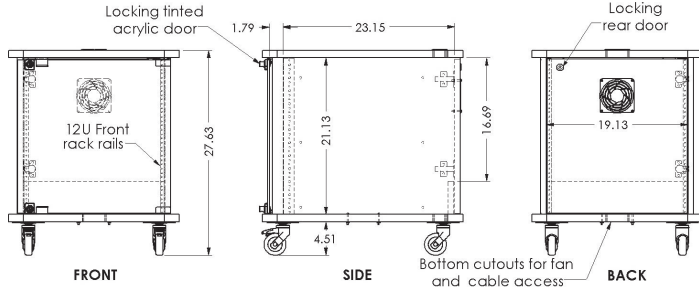
Other finishes are available with a longer lead time. Check website.



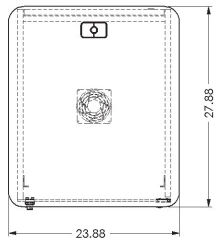
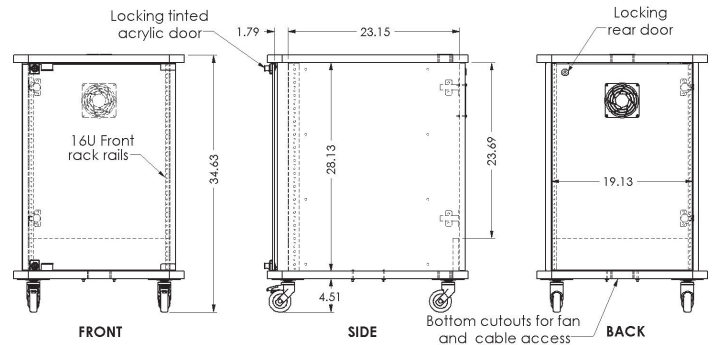
Dimensional Drawings



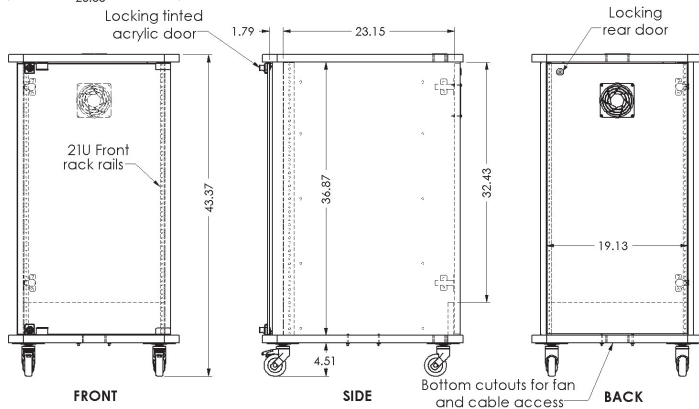
RACK-12



RACK-16



RACK-21



The information contained in this drawing is the sole property of Audio Visual Furniture International. Any reproduction in part or as a whole without the written permission of Audio Visual Furniture International is prohibited. We can build or modify stock configurations to suit customer specifications. Please contact us to discuss how this service can help meet your needs. Some quantity restrictions may apply. Specification subject to change without notice. Computers, cameras, monitors, etc. are shown to illustrate product usage and are not included unless otherwise noted.



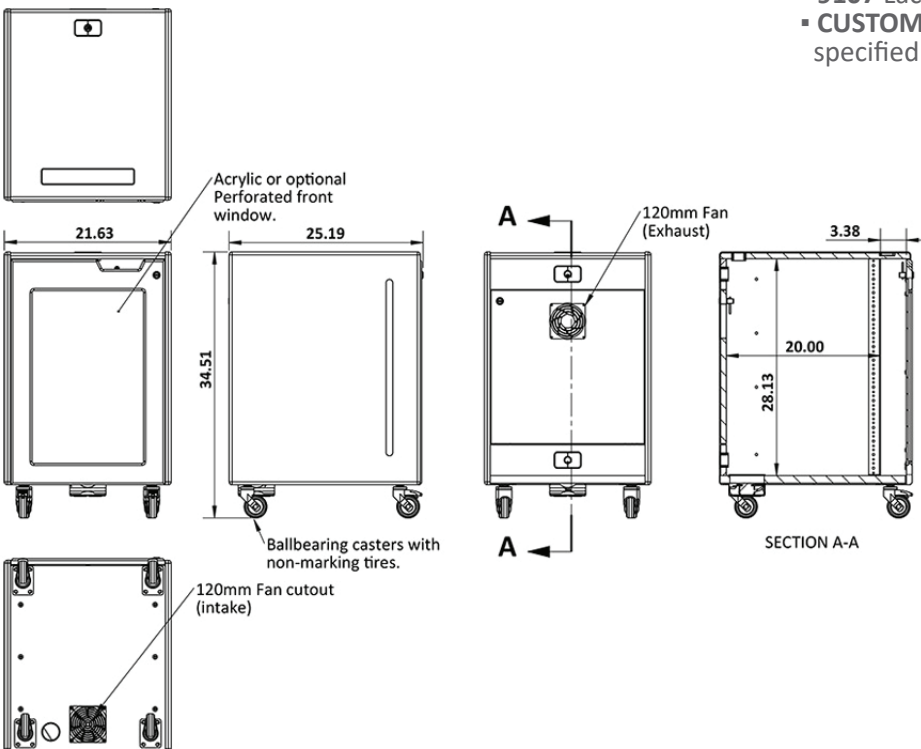
The mobile rack model **REX16** includes 16U rack rails for equipment up to 20" deep, framed front door with a tinted acrylic window and heavy duty casters for easy maneuverability.

Standard Features

- Highly resistant surf(x) surface finish
- Locking tinted acrylic window front door for infrared remotes
- Locking rear door for easy access to equipment connections
- Top tool storage tray and a cable grommet
- **RR16** 16U rack rails (10-32 screws)
- **FAN** Quiet cooling fan
- Heavy duty casters (2 locking)
- Ships assembled

Options

- **MM1232** 12" - 32" Monitor/TV mount
- **C900S** Adjustable monitor arm
- **C900D** Adjustable dual monitor arm
- **PB** Six Outlet power bar with 10 ft. cord
- **LEV4AX4** 4x Levelers for non-mobile applications
- **CASTER** 6" Metal caster
- **RR16** 16U Set of Rack Rails (Rear)
- **9107** Lacing bar (19" long)
- **CUSTOM CUTOUT** Cutouts for electronics or other items specified by the customer



Specifications

Model: REX16
Width: 21 5/8"
Depth: 25"
Height: 34-1/2"

Finishes



Other finishes are available. Check website.

The information contained in this drawing is the sole property of Audio Visual Furniture International. Any reproduction in part or as a whole without the written permission of Audio Visual Furniture International is prohibited. We can build or modify stock configurations to suit customer specifications. Please contact us to discuss how this service can help meet your needs. Some quantity restrictions may apply. Specification subject to change without notice. Computers, cameras, monitors, etc. are shown to illustrate product usage and are not included unless otherwise noted.



The **RK5105** is a Mobile Rack, ideal solution for distance education, electronic classrooms and corporate training sites. It features front 14U Rack frame with adjustable shelf, a top surface to support monitors, laptops and room control systems, front and rear locking doors and keyboard tray.

Standard Features

- 21.875" W X 30" D work surface
- Cable access grommet on top and side panels
- Easy front and back access with metal vents
- Rack 14 spaces EIA compliant threaded rack frame (10-32 screws)
- Keyboard tray
- Interior adjustable shelf
- Ventilation provided through vents all around
- Heavy-duty casters for easy maneuvering (2 locking)
- Highly resistant thermowrap surface & body finish

▪ Ships assembled

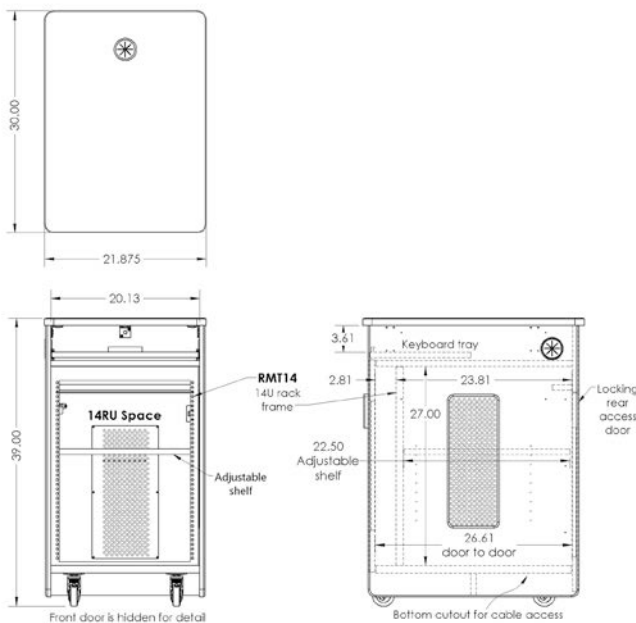
Options

- **5104TP** Bridge Top (for modular options)
- **5104DE** Desk End (ADA compliant)
- **SH-FL-51** Folding side shelf kit
- **C900S** 15" - 24" Adjustable monitor arm
- **PLM1022** 10" - 24" Monitor mount
- **MM1232** 12" - 32" Monitor mount
- **MCB1925** 19" - 25" monitor/camera bracket
- **FM3** Count down timer/ clock
- **MIC-18** MX418C Shure Gooseneck microphone
- **LIGHT-18** Littlite Gooseneck
- **PB** Six outlet power bar with 10 ft. Cord
- **PC-PATCH** 2x 110AC, RJ45, Phone, 2x USB
- **SF-PB3** Surface mounted 3-outlet 120V power bar
- **CUB3** Round cable well
- **CUB4** Black-B/Silver-S Power Panel
- **CUB5** Round cable well (Black or Silver)
- **CUB8** Table top cable well
- **CHGQIW/B** Wireless charging station white or black
- **CHGQI-DNGL** Dongle lightning, USB Type-C, Micro-USB. Requires CHGQIW/B
- **9031/9041/9052** Metal shelves/drawer (Check website)
- **RMT14** 14U rack frame kit (Rear)
- **9107** Lacing bar (19" long)
- **DIR9200-12** 12U Rack module
- **LEV4AX4** 4x Levelers for non-mobile applications
- **CUSTOM CUTOUT** Cutouts for electronics or other items specified by the customer

Link as modular to other main components of the PD51 Series using the optional **5104TP** Bridge below.



Convert to a left or right-hand Desk station using the optional **5104DE** Desk End below.



Specifications

Model: RK5105
Width: 21.875"
Depth: 30"
Height: 39"

Finishes:



Other finishes are available. Check website.

The information contained in this drawing is the sole property of Audio Visual Furniture International. Any reproduction in part or as a whole without the written permission of Audio Visual Furniture International is prohibited. We can build or modify stock configurations to suit customer specifications. Please contact us to discuss how this service can help meet your needs. Some quantity restrictions may apply. Specification subject to change without notice. Computers, cameras, monitors, etc. are shown to illustrate product usage and are not included unless otherwise noted.

The **RK5106** is a Mobile Rack, ideal for equipment storage. It features front 12U Rack frame with adjustable shelf, a top surface with grommet for wire entry, front and rear locking doors.



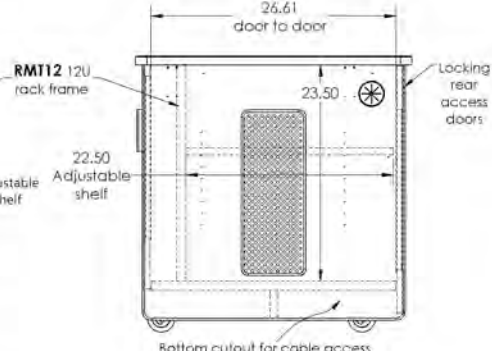
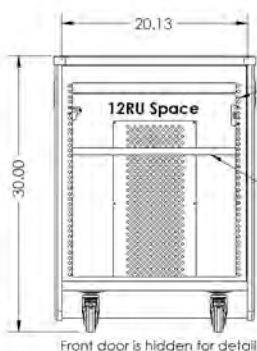
Standard Features

- 21.875" W X 30" D work surface
- Cable access grommet on top and side panels
- Easy front and back access with metal vents
- Rack 12 spaces EIA compliant threaded rack frame (10-32 screws)
- Interior adjustable shelf
- Ventilation provided through vents all around
- Heavy-duty casters for easy maneuvering (2 locking)
- Highly resistant thermowrap surface & body finish
- Ships assembled

Options

- **5104TP** 36.5" Bridge Top (for modular options)
- **C900S** 15" - 24" Adjustable monitor arm
- **PLM1022** 10" - 24" Monitor mount
- **MM1232** 12" - 32" Monitor mount
- **MCB1925** 19" - 25" monitor/camera bracket
- **PB** Six outlet power bar with 10 ft. Cord
- **9031/9041/9052** Metal shelves/drawer (Check website)
- **RMT12** 12U rack frame kit (Rear)
- **9107** Lacing bar (19" long)
- **LEV4AX4** 4x Levelers for non-mobile applications

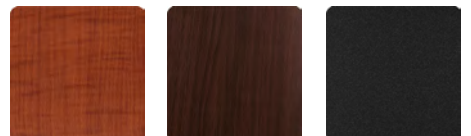
This **RK5106** Mobile Rack can be linked as Modular to **PD51** Station, **PD5103** Podium and **RK5105** Mobile Rack using the optional **5104TP** 36.5" Bridge Top below.



Specifications

Model: RK5106
Width: 21.875"
Depth: 30"
Height: 30"

Finishes:



Other finishes are available. Check website.

The information contained in this drawing is the sole property of Audio Visual Furniture International. Any reproduction in part or as a whole without the written permission of Audio Visual Furniture International is prohibited. We can build or modify stock configurations to suit customer specifications. Please contact us to discuss how this service can help meet your needs. Some quantity restrictions may apply. Specification subject to change without notice. Computers, cameras, monitors, etc. are shown to illustrate product usage and are not included unless otherwise noted.

Designed to Fit Under Tables

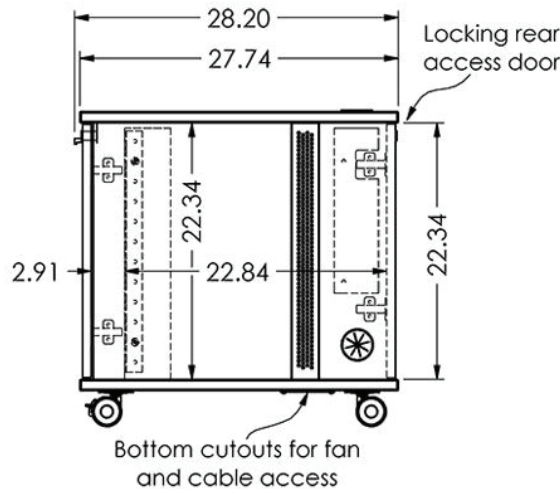
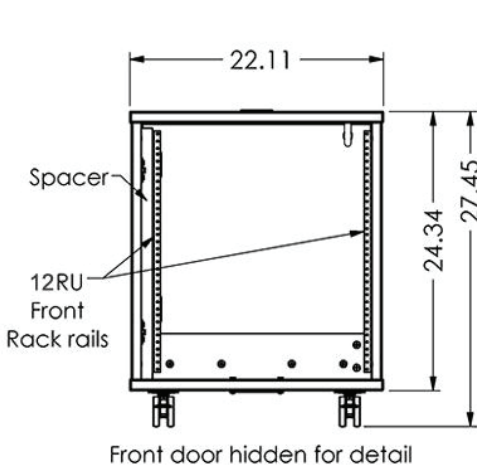
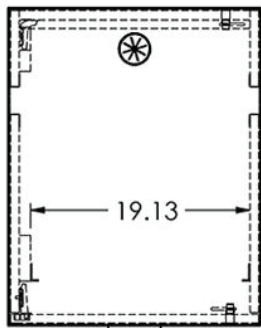
RKYZ12 is a 12U mobile rack made with furniture grade laminates and stylish aluminum side grills panels. It features front 12U rack rails for equipment storage accessible from front and back with front and rear locking doors. It offers cable access on sides, top and bottom through grommets and it stands on modern casters (front two lock). Rack height allows the unit to be stored under tables & desks with easy access.

Standard Features

- Made with furniture grade laminates
- Front rack unit with 12U for equipment storage
- Front and rear locking door
- Cable access through grommets on both sides, top and bottom
- Ventilated grid along the side panels and bottom grill plate
- Premium modern casters

Options

- C900S 15" - 24" Adjustable single monitor arm
- C900D Adjustable dual monitor arm
- MM1232 12" - 32" Monitor mount
- PB Six outlet power bar with 10 ft. cord
- FAN Quiet cooling fan (back top panel)
- 9031 Utility metal shelf
- 9041 Sliding metal shelf (Rear rack rails required)
- 9052 Sliding metal drawer
- 9107 Lacing bar (19" long)
- RR12 Rear rack rails
- LEV4AX4 4x Levelers for non-mobile applications
- **CUSTOM CUTOUT** Cutouts for electronics or other items specified by the customer



Specifications

Model: RKYZ12
Width: 22"
Depth: 28"
Height: 27.5"

Finishes



Other finishes are available. Check website.

The information contained in this drawing is the sole property of Audio Visual Furniture International. Any reproduction in part or as a whole without the written permission of Audio Visual Furniture International is prohibited. AVFI can build or modify stock configurations to suit customer specifications. Please contact us to discuss how this service can help meet your needs. Some quantity restrictions may apply. Specification subject to change without notice. Computers, cameras, monitors, etc. are shown to illustrate product usage and are not included unless otherwise noted.



RKYZ21 is a 21U mobile rack made with furniture grade laminates and stylish aluminum grid alongside panels. It features front 21U rack rails for equipment storage accessible from the audience side and also the presenter's. Front and rear locking doors. It offers cable access on both sides, top and bottom through grommets and it stands on modern casters (front two lock). This unit is an excellent addition if you want to storage equipment onto the PDYZ38 podium.

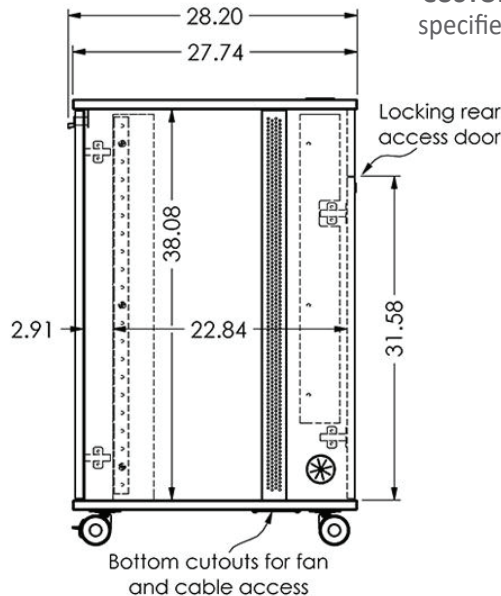
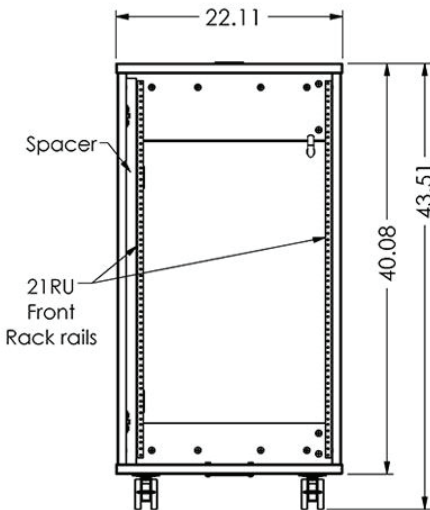
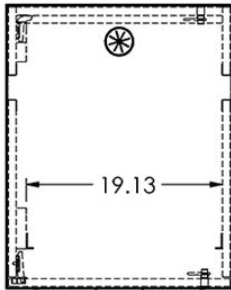
Standard Features

- Made with furniture grade laminates
- Front rack unit with 21U for equipment storage
- Front and rear locking door
- Cable access through grommets on both sides, top and bottom
- Ventilated grid along the side panels and bottom grill plate
- Premium modern casters

Options

- **C900S** 15" - 24" Adjustable single monitor arm
- **C900D** Adjustable dual monitor arm
- **MM1232** 12" - 32" Monitor mount
- **PB** Six outlet power bar with 10 ft. cord
- **FAN** Quiet cooling fan (back top panel)
- **9031** Utility metal shelf
- **9041** Sliding metal shelf (Rear rack rails required)
- **9052** Sliding metal drawer
- **9107** Lacing bar (19" long)
- **RR21** Rear rack rails
- **LEV4AX4** 4x Levelers for non-mobile applications
- **CUSTOM CUTOUT** Cutouts for electronics or other items specified by the customer

PDYZ38 + RKYZ21 setup
(Sold separately)



Specifications

Model: RKYZ21
Width: 22"
Depth: 28"
Height: 44"

Finishes



Other finishes are available. Check website.

The information contained in this drawing is the sole property of Audio Visual Furniture International. Any reproduction in part or as a whole without the written permission of Audio Visual Furniture International is prohibited. AVFI can build or modify stock configurations to suit customer specifications. Please contact us to discuss how this service can help meet your needs. Some quantity restrictions may apply. Specification subject to change without notice. Computers, cameras, monitors, etc. are shown to illustrate product usage and are not included unless otherwise noted.