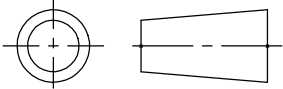


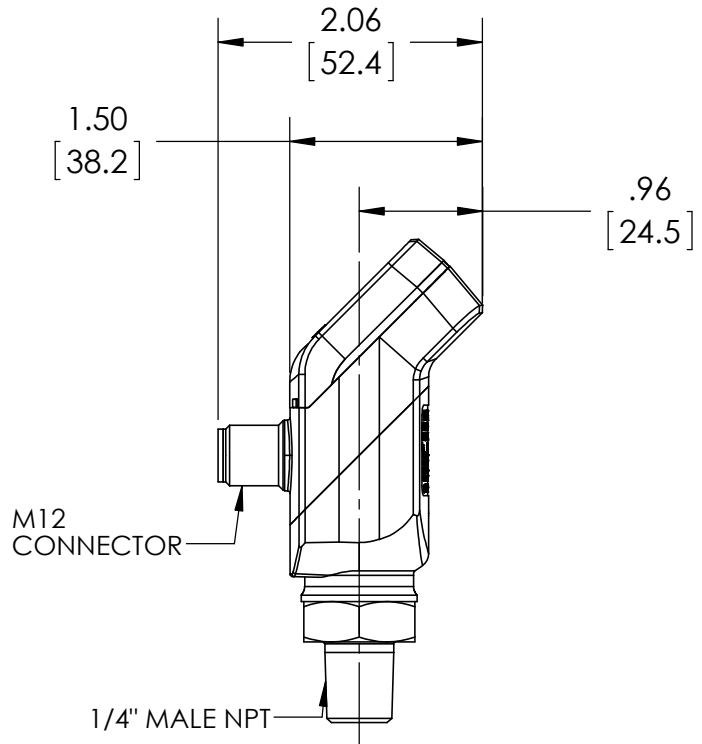
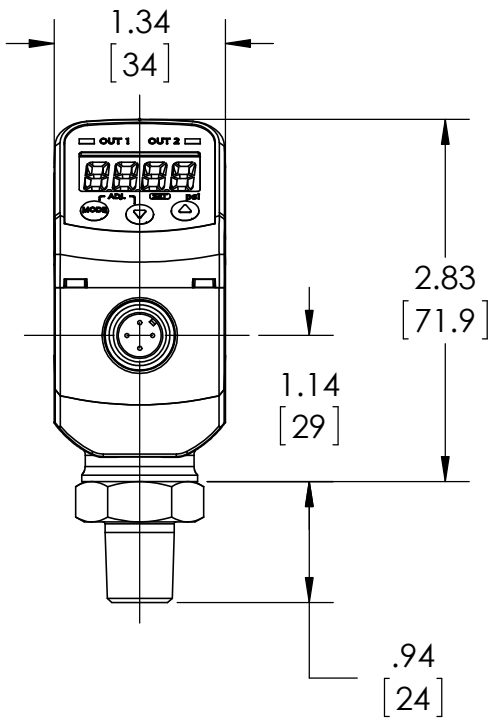
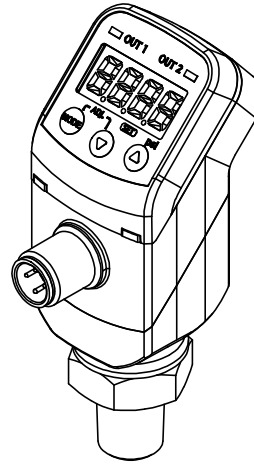
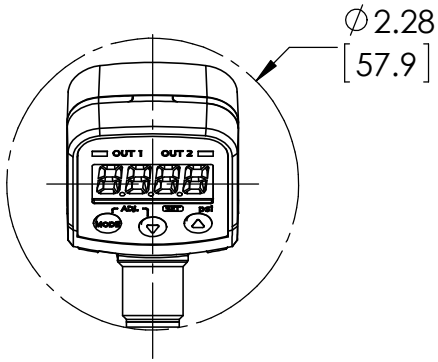
Third angle projection



This drawing includes confidential information which is the property of ASHCROFT INC. This copy is loaned for a specific purpose, with the understanding that it will not be reproduced or used for any other purpose or disclosed to others, and it will be returned on demand.

**ASHCROFT** INC.

250 EAST MAIN STREET  
STRATFORD, CT 06614



DIMENSIONS IN [ ] ARE MILLIMETERS

| REV. | ECO     | DESCRIPTION            | BY  | DATE       |
|------|---------|------------------------|-----|------------|
| A    | 0005200 | RELEASED GENERAL DIMS. | MJS | 11/29/2011 |

|                                  |           |                              |               |                |
|----------------------------------|-----------|------------------------------|---------------|----------------|
| This print certified correct for |           | <b>General Dimensions</b>    |               |                |
| Customer's Name                  |           | GC35 DIGITAL PRESSURE SENSOR |               |                |
|                                  |           | GC35-7-M02L-xx-EW-xxxxx      |               |                |
| Customer's Order No.             | Drawn MJS | Date 11/29/11                | Date of Issue |                |
| Ashcroft Order No.               | Checked   | Date                         | SHEET-1       | Rev.           |
| Certified by                     | Date      | Approved                     | Date          | <b>70A3866</b> |
|                                  |           |                              |               | <b>A</b>       |