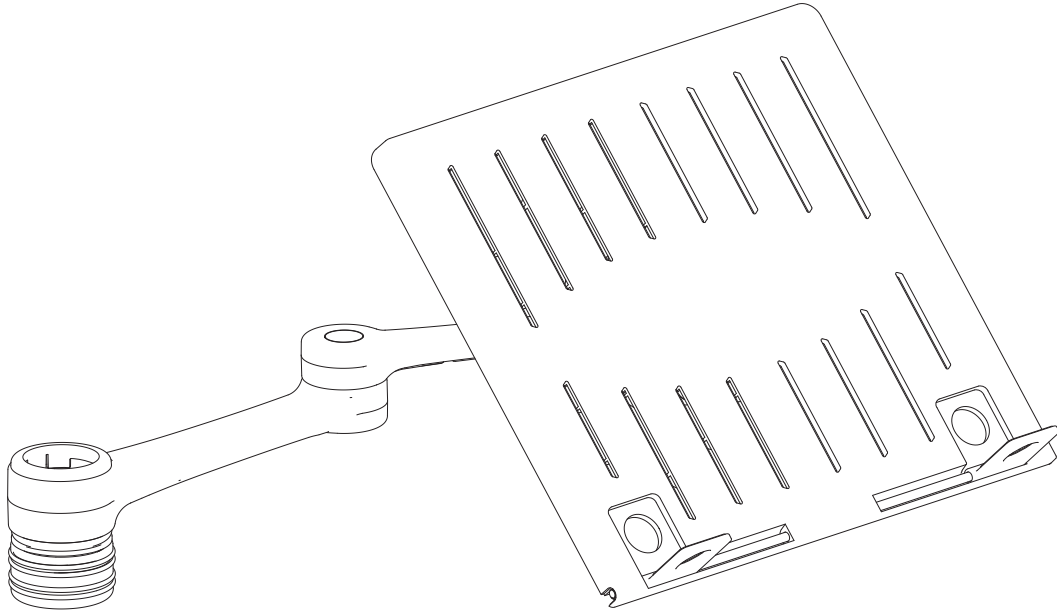
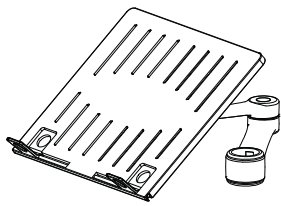


Notebook Arm



COMPONENT CHECKLIST



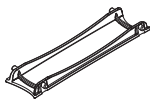
A
Notebook tray
assembly
(x1)



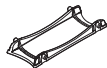
B
Hand grip
assembly
(x1)



C
Rotation
limiter
(x1)



D
Primary arm
cable cover
(x1)



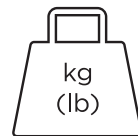
E
Secondary arm
cable cover
(x1)



F
Self adhesive
hook & loop
(x4 sets)

Desk 

WEIGHT RANGE



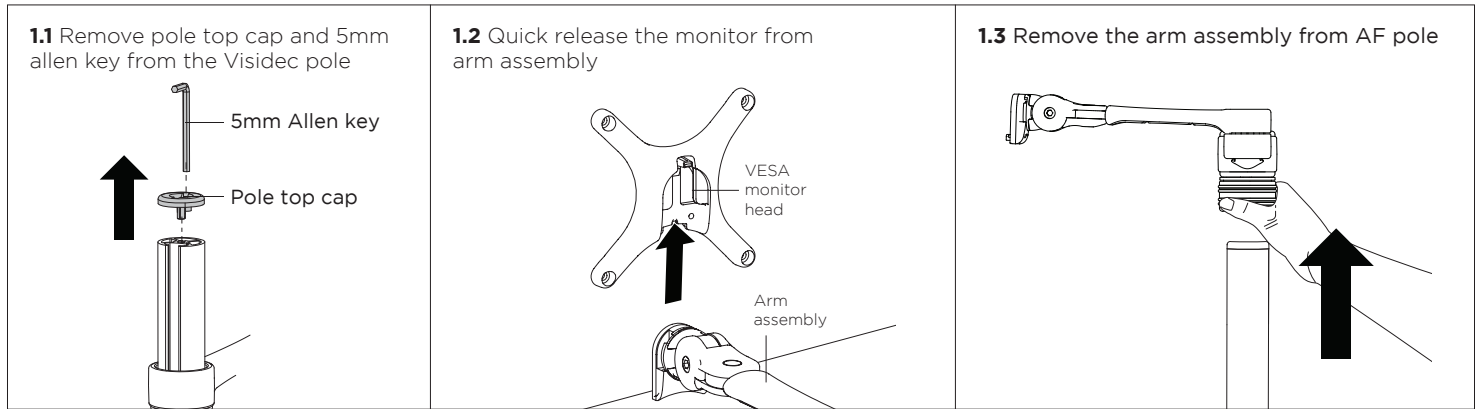
kg
(lb)

0 - 8kg
(0 - 17.6lbs)

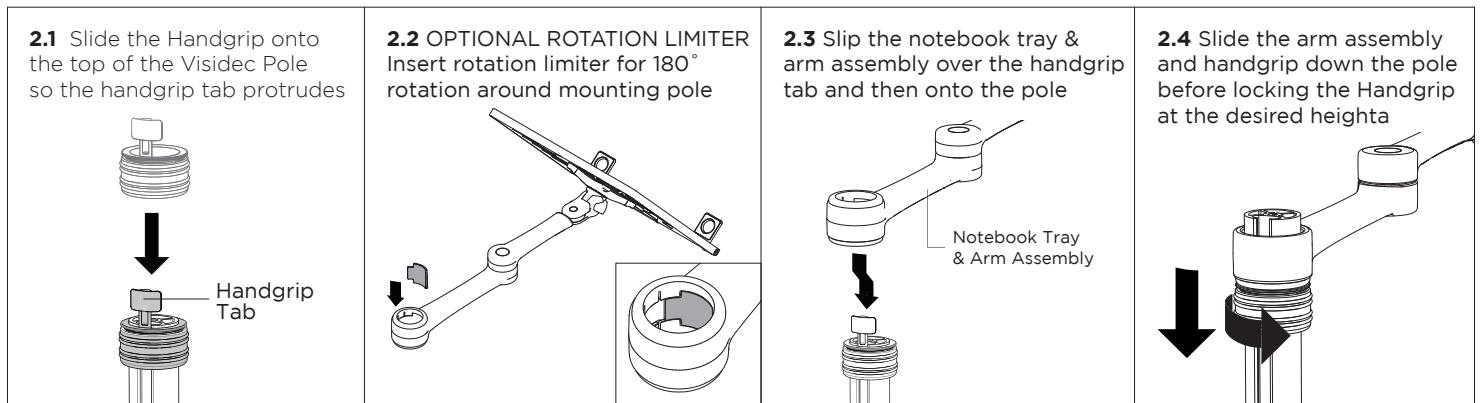
IMPORTANT INFORMATION

- ! Please ensure this product is installed as per these installation instructions.
- ! This product is designed to be used in conjunction with an external keyboard and mouse.
- ! This product is compatible with the range of AF poles and arms.
- ! The manufacturer accepts no responsibility for incorrect installation.

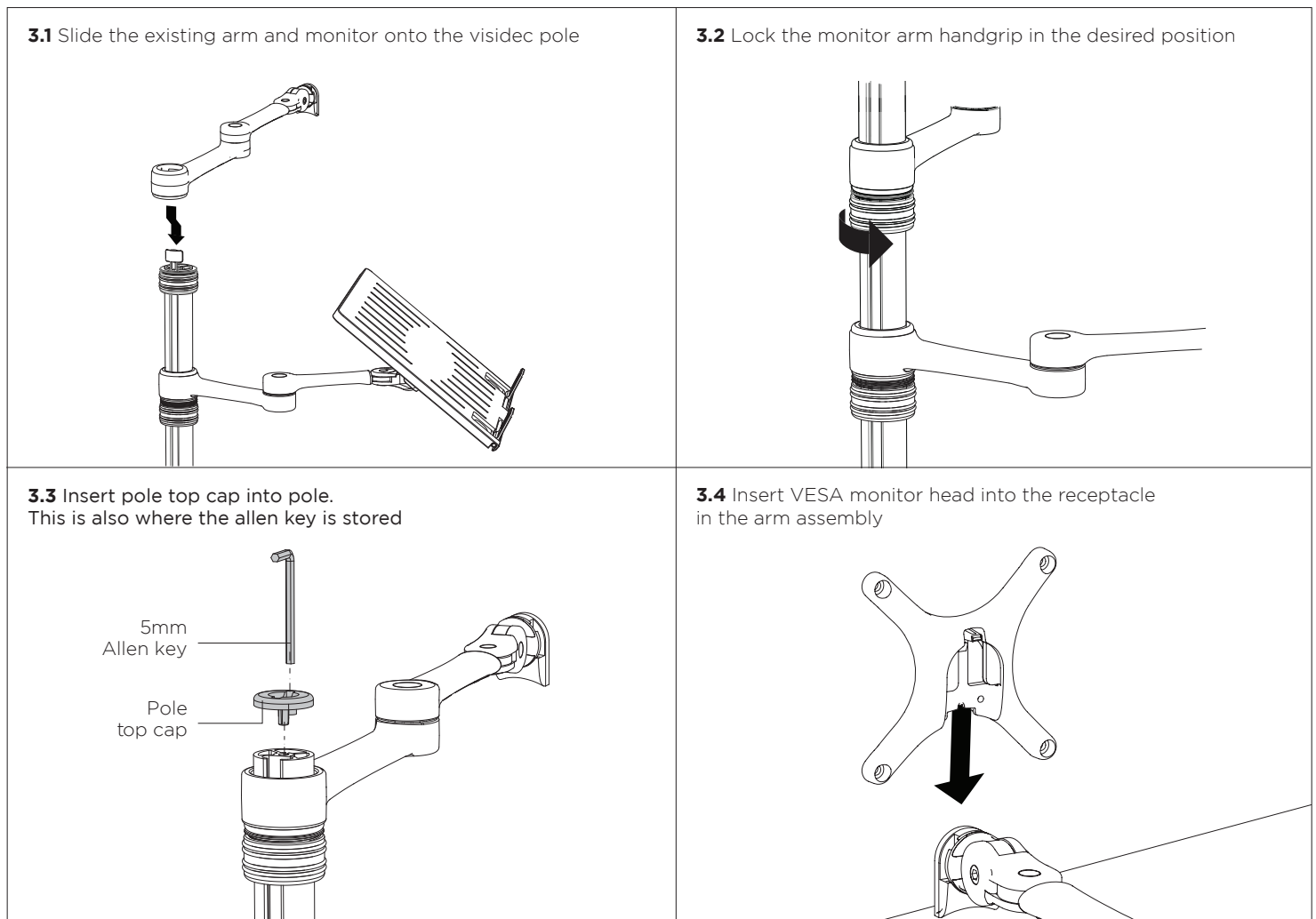
1. Remove existing arm and monitor from AF pole (Ensure monitor cables are unplugged)



2. Attach notebook tray onto AF Pole

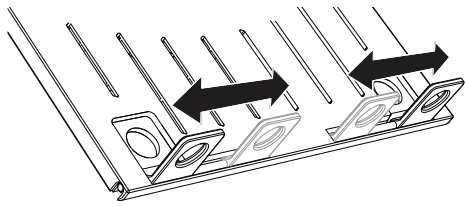


3. Re-install the existing arm and monitor



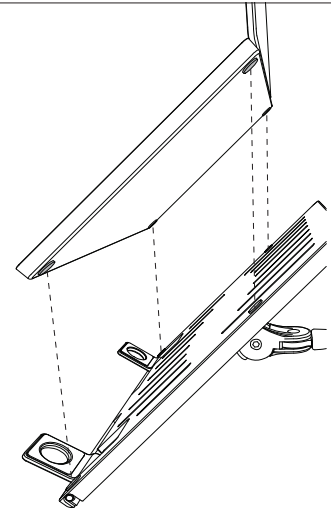
4. Install Notebook

4.1 Adjust the support tabs to suit the width of the notebook computer ensuring that cable ports are not obstructed



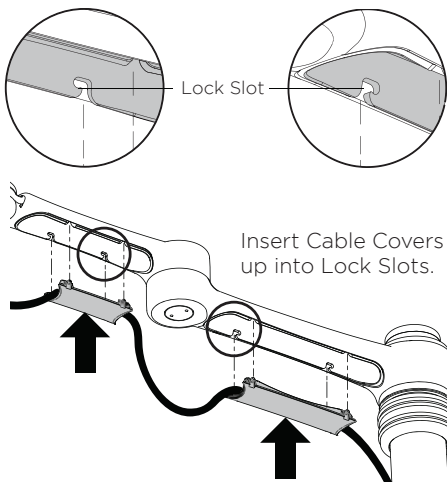
4.2 To increase stability, use the self adhesive Hook-and-Loop Fasteners supplied

- Peel off the backing paper to the fasteners
- Attach fasteners to both the Notebook Tray and computer
- Ensure that each set of fasteners are correctly aligned i.e. Hook to Loop

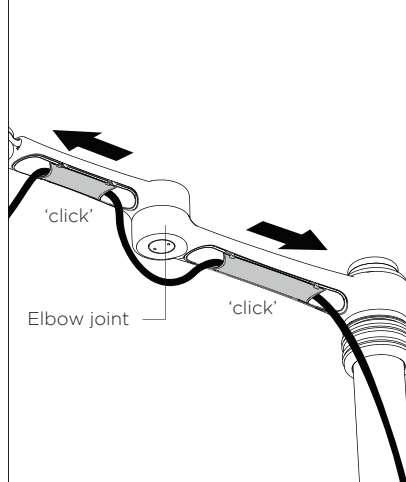


5. Cable Management

5.1 After plugging in your cables, install the Cable Covers

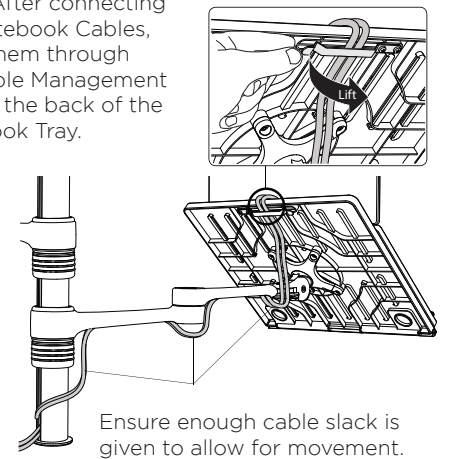


5.2 Push Cable Covers away from Elbow Joint to secure in place



5.3 Cable Clips and Cable Stops can be installed to further manage cables. Please See Over

Note: After connecting the Notebook Cables, route them through the Cable Management Clip on the back of the Notebook Tray.

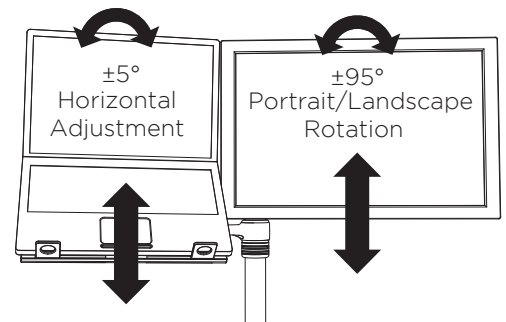
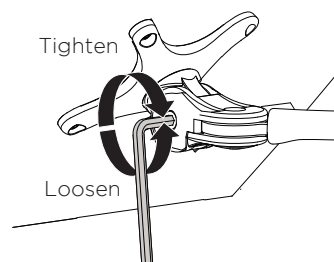


6. Adjusting the display bracket

Adjust the tilt angle of the notebook tray as desired, locking it in position using the 5mm allen key



TILT (tray angle up/down)



PAN (tray angle left/right)

