

Notebook Arm

Mounting Options

The product is designed to be installed on an existing AF range pole mount

Notebook Mounting Options

Support notebook up to 18"

Notebook Weight Compatibility

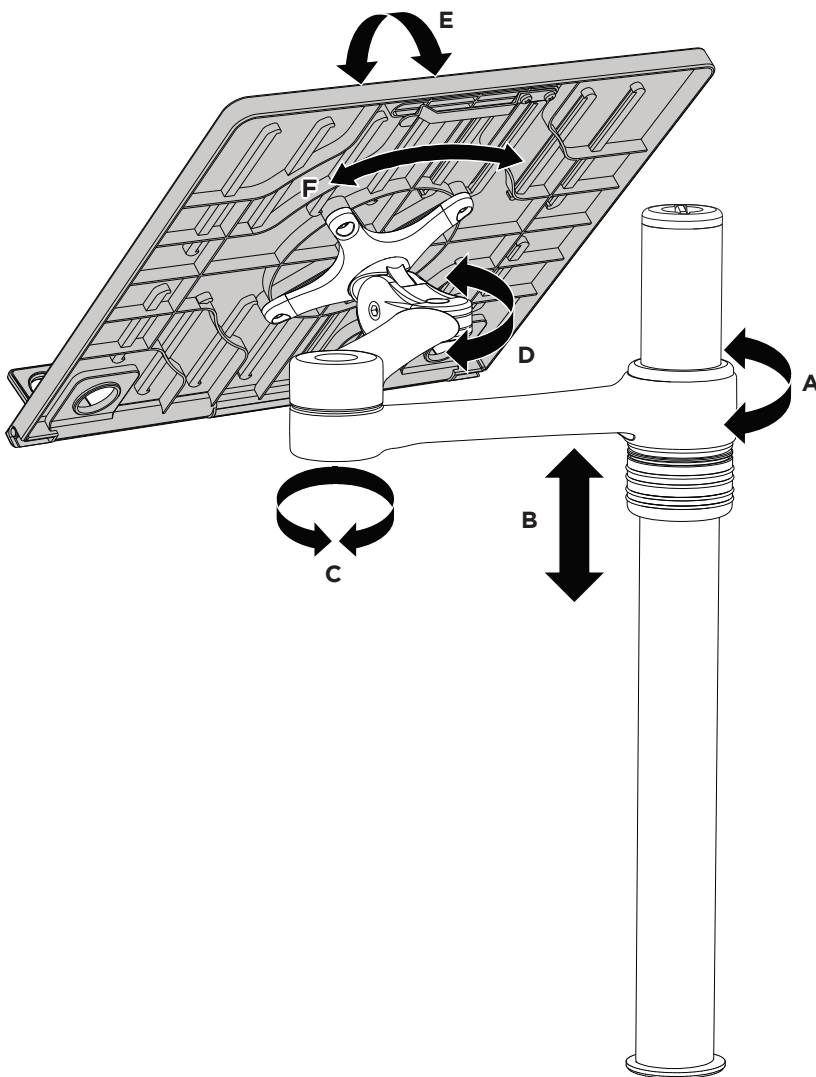
Max. 8kg (17.6lbs)

Consist of

Notebook arm
Fasteners
Mounting hardware

Warranty

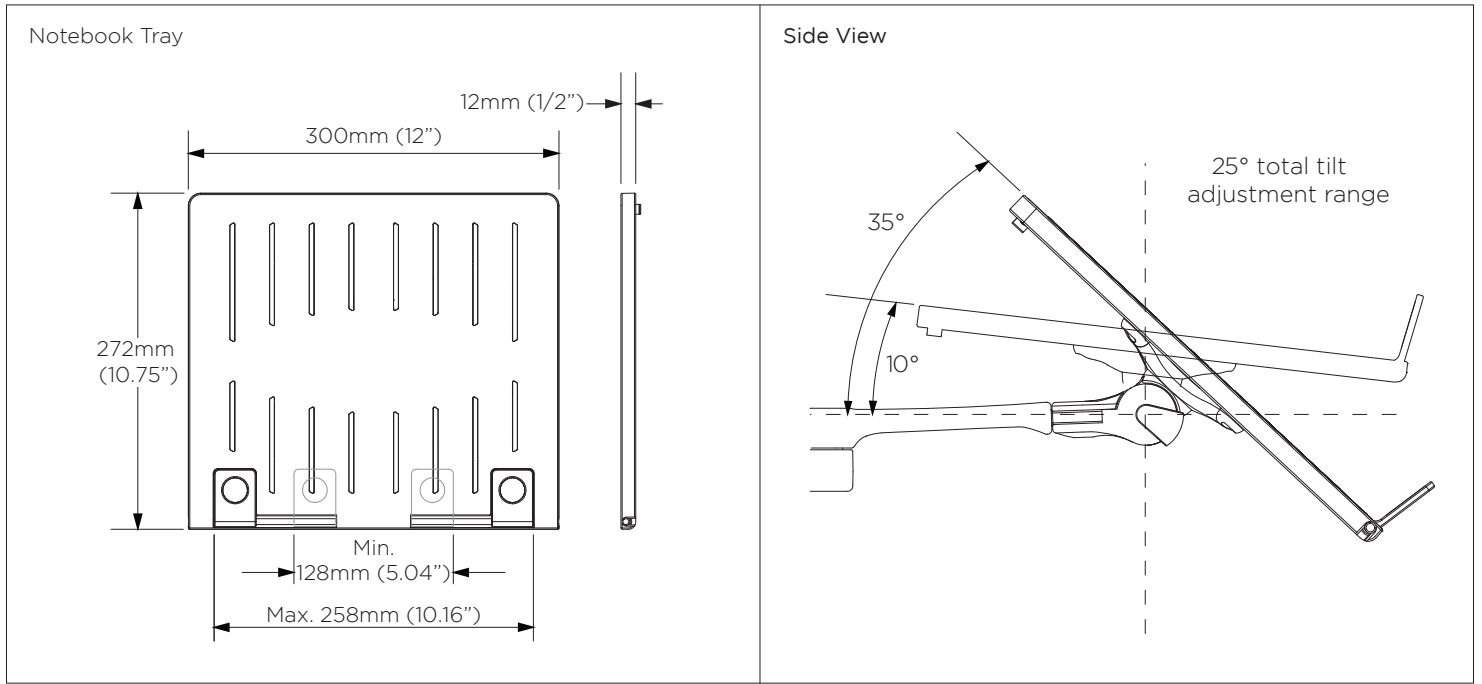
10 years limited



- A** 360° rotation around mounting pole/ 180° with rotation limiter
- B** 340mm (13.37") height adjustment range
- C** 360° articulation of arms
- D** 180° pan adjustment
- E** ± 25° tilt adjustment range
- F** ± 5° horizontal adjustment

Note Pole not included

Dimensions



Overall Dimensions

