

Wall Direct Monitor Mount

Mounting Options

Wall direct monitor mount can be mounted directly onto timber stud or masonry wall

Display Mounting Options

Suits 100mm x 100mm mounting hole pattern

Display Weight Compatibility

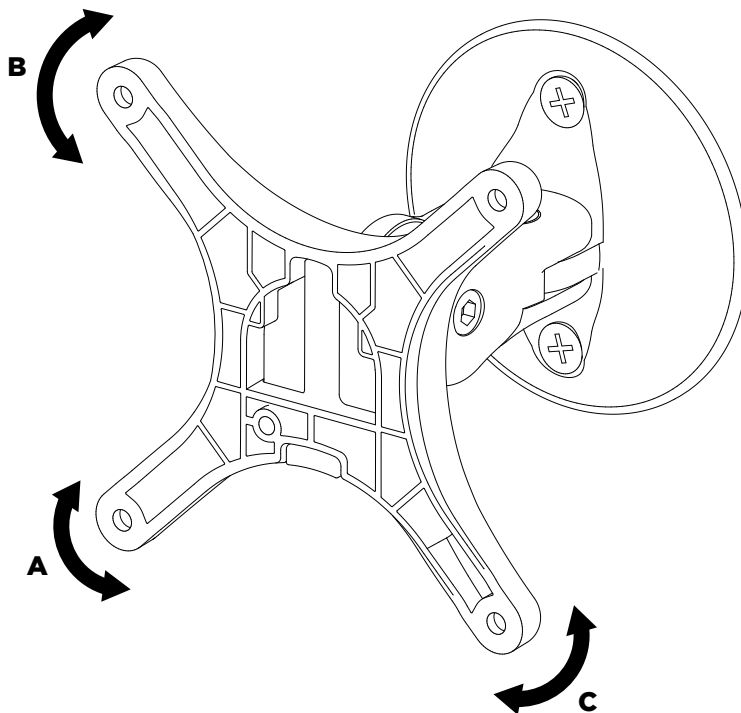
Max. 8kg (17.6lbs)

Consist of

Wall mount arm
Fasteners
Mounting hardware

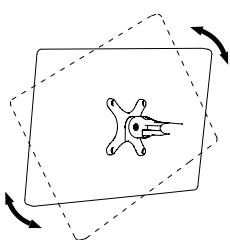
Warranty

10 years limited



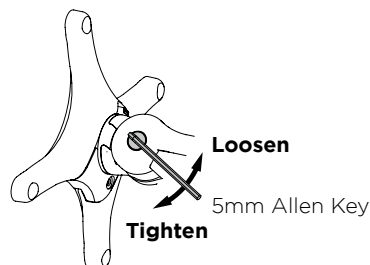
- A** Pan $\pm 45^\circ$ (with typical 34" display attached : $\pm 13^\circ$)
- B** Tilt $\pm 70^\circ$ (with typical 24" display attached : $\pm 29.5^\circ$)
- C** $\pm 95^\circ$ Potrait/ landscape adjustment

Portrait/ Landscape



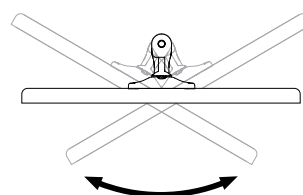
No Allen Key necessary

Tilt (Screen angle up/down)



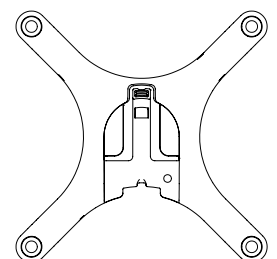
Note: Support Screen when adjusting tilt.

Pan (Screen angle left/right)



No Allen Key necessary

100mm x 100mm VESA hole pattern



Overall Dimensions

