

CMCP240 Series Proximity Speed Sensor



Features:

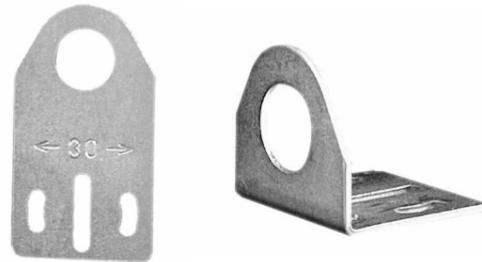
- M12x1 Threaded Body
- Shielded Sensing Tip
- 4mm Sensing Distance
- LED Status Indicator
- PNP or NPN Output
- Overload Protection
- 2m Integral Cable or M12 Connector Option
- Includes Two Lock Nuts
- Optional Mounting Bracket

Technical Performance

Nominal Sensing Distance: 4mm (0.16")
Operating Distance: 0 to 3.24mm (0.127")
Switching Frequency: 700Hz

Electrical

Output Type: PNP or NPN
Operating Voltage: 10 to 30VDC
Current: 100mA Max
Voltage Drop: <2.5VDC
Time Delay: ≤25ms
Reverse Polarity Protection: Yes
Short Circuit Protection: Yes
Indicator Status: Yellow LED



Environmental

Operating Temperature Range: -40 to 85°C (-40 to 185°F)
Sealing: IP68, IP69K
Approvals: UL, CE, RoHS

Mechanical

Housing Material: Chrome-plated Brass
Sensing Face Material: PPS (Polyphenylene Sulfide)
Connection: 2m Integral Cable or M12 Connector (Use CMCP605M Extension Cable)

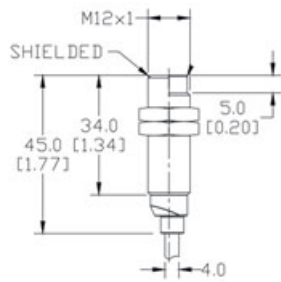
Ordering Information:

CMCP240	-XX	-XXX
CMCP240M	-XX	-XXX
	-NPN	
	-PNP	
		-00
		-01
		-02

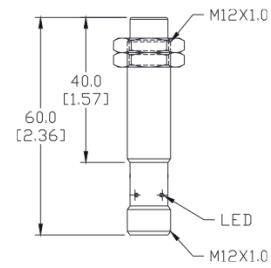
Proximity Speed Sensor with 2m Integral Cable Proximity Speed Sensor with M12 Connector

Proximity Speed Sensor, NPN Output, with 2m Integral Cable
Proximity Speed Sensor, PNP Output, with 2m Integral Cable
Without Mounting Bracket
With Right Angle Mounting Bracket
With Axial Mounting Bracket

Dimensions

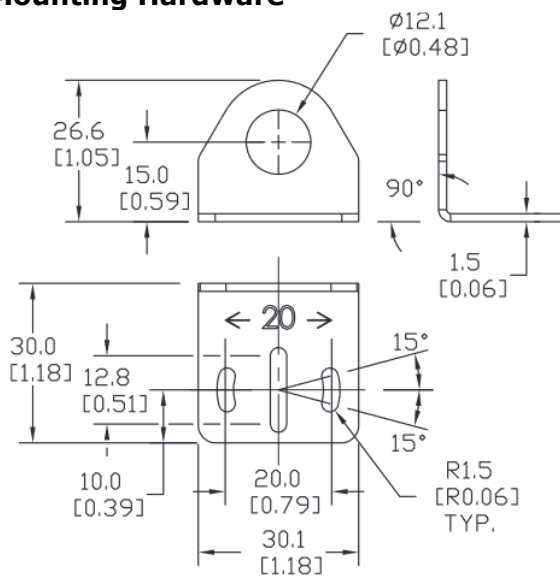


CMCP240 Series (Integral Cable)

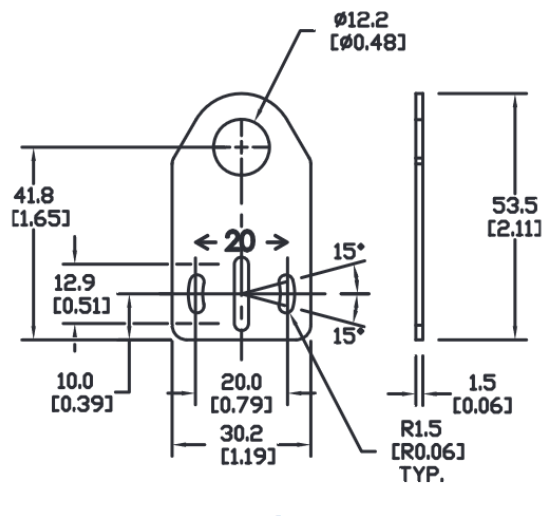


CMCP240M Series (M12 Connector)

Mounting Hardware



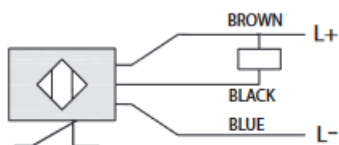
Optional Side Exit Mounting Bracket



Optional Axial Mounting Bracket

Wiring

NPN Output



PNP Output

