

Eppa2™
dual monitor arm



Monitors can pivot from portrait to landscape orientation easily. Arms have wide range of motion.



VESA mounts tilt up and down, providing a flat writing surface for touch screen monitors



Clip-on tool storage

Product specs

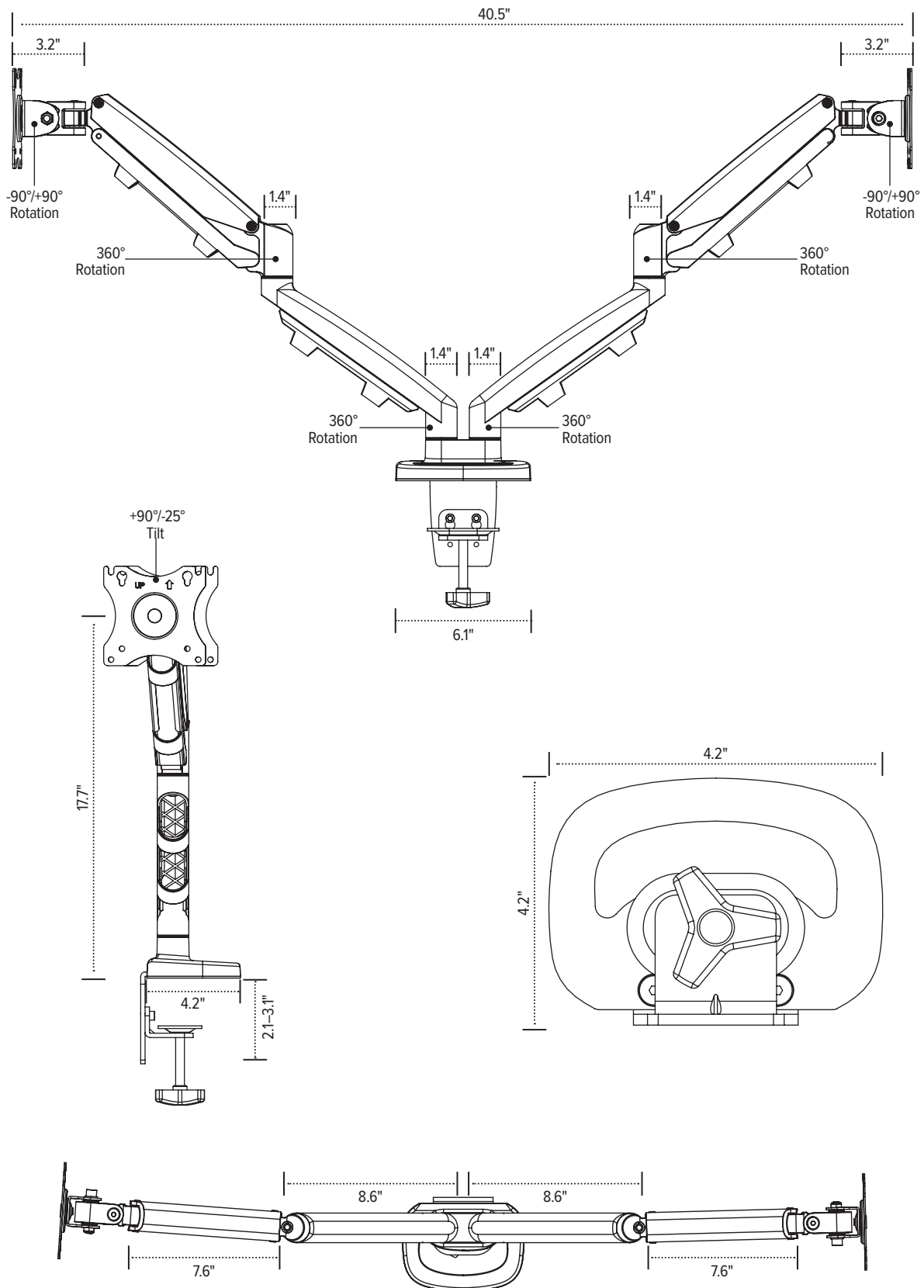
- Finger touch dynamic height adjustment
- 10.5" height adjustment range
 - 5.8"–16.3" (low/high)
- 21.2" arm extension
- 4.0" arm retraction
- +90°/-25° tilt
- ±90° rotation
- ±90° monitor swivel stop
- 2.2 lbs.–17.6 lbs. weight capacity (*per arm*)
- VESA quick mount
- Desk clamp and grommet mount included
- 39.0" max. monitor width (*bezel measured left to right*)
- Fixed and motion arms included
- Capable to swivel between portrait and landscape orientation
- Exceeds BIFMA x5.5 requirements
- Gas spring - finger touch adjustment
- Aluminum and steel design
- Partially assembled for quick installation
- Integrated cord management
- Grommet hole integrated in base to easily route cables
- Clip-on tool holder attaches to base bracket keeping hex keys accessible
- Available conversion kit adjusts a single arm Eppa to a dual arm
- Warranty: 10 yrs.

Model

- EPPA2-SLV

Eppa2

dual monitor arm



esi

800.833.3746
esiergo.com