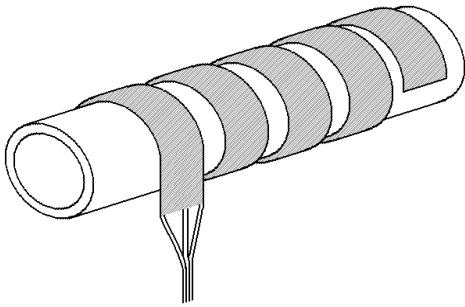


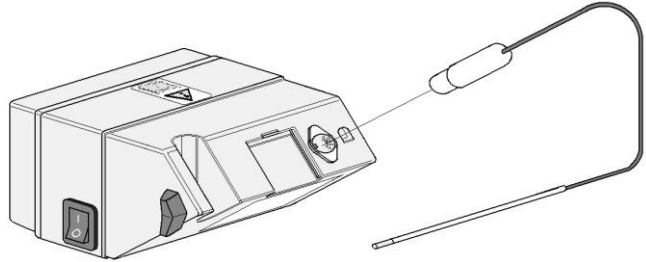
NOTES FOR ELECTRICIAN

MC810B Controller used with HT9 heating tape must be installed by competent Electrician.
Product must not be connected to mains supply during installation.

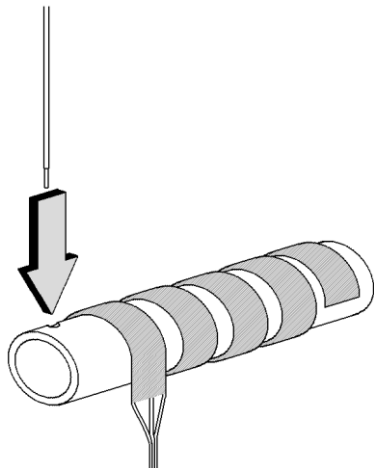
① Wrap HT9 Heating Tape around vessel.



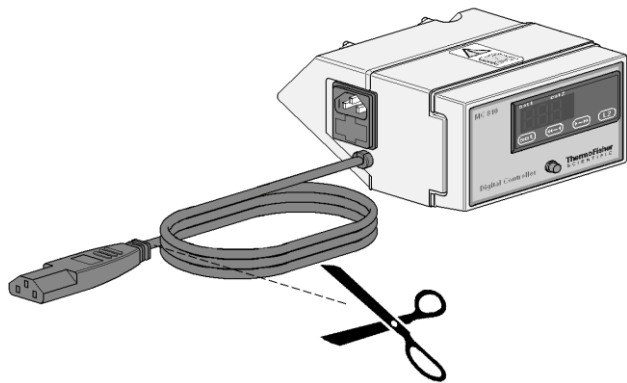
② Connect Temperature probe to MC801B.




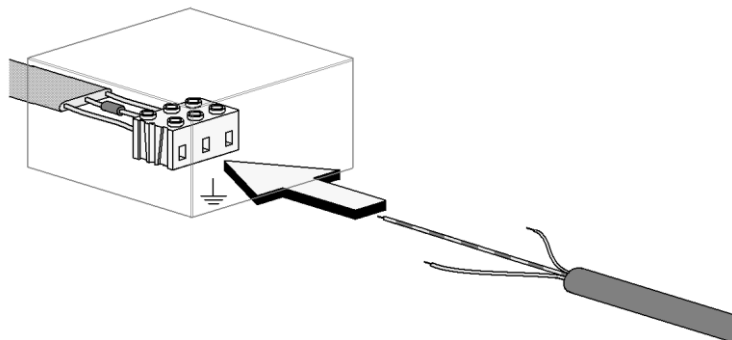
③ Position temperature probe.



④ Cut output plug off of MC801B



⑤ Wire MC801B output cable into 3-way insulated terminal block Supplied with HT9. Secure terminal block inside insulated enclosure (or grounded metal enclosure)  of suitable specification for working environment. The enclosure must provide suitable cord anchorage. Keep enclosure away from heat source. Check Installation for electrical safety prior to connection to mains power supply.



Refer to Instruction Book M6884 for further information