

**Method for connecting a Heating Tape / cord to an MC5 / MC227/
MC228x1 Controller.**

**ATTENTION: INSTALLATION MUST BE UNDERTAKEN BY A
COMPETENT ELECTRICIAN.**

To connect a Heating Tape to an MC controller you will require a connecting lead set. This sheet details a process for assembling a suitable lead set.

- 1 Carefully examine your heating tape. Look at the terminal block and identify if you have a two lead or three lead type tape / cord.

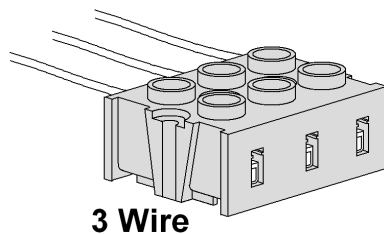


Figure 1

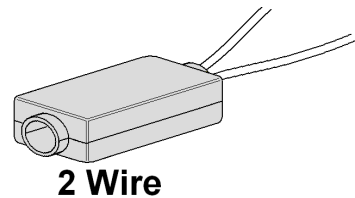


Figure 2

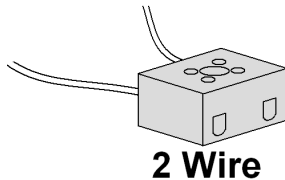


Figure 3

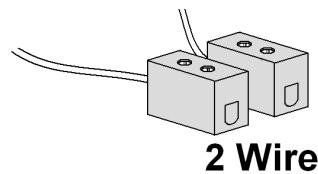
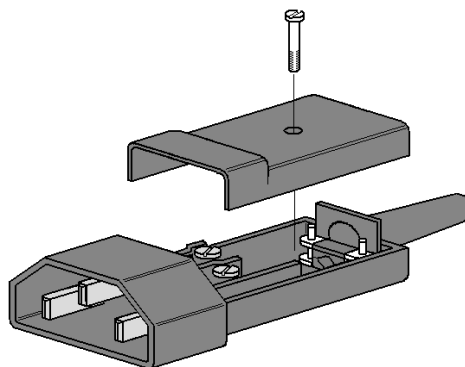
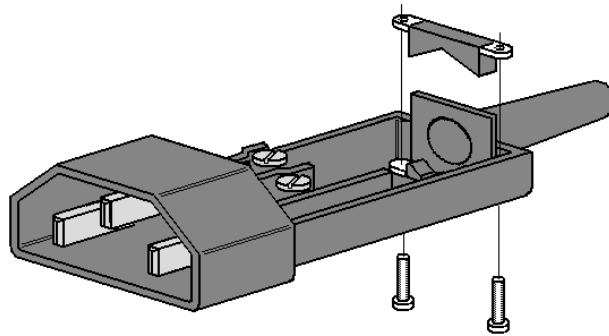


Figure 4

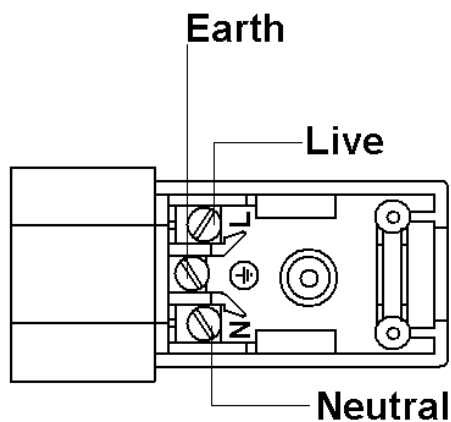
- 2 **Select suitable connection cable type giving due consideration to current, temperature and insulation requirements.**
Note: The wire gauge should NOT be less than 16/0.2mm.
- 3 Take IEC plug M7131. Using a screw driver, unscrew and remove the retention screw from the centre of the housing. Remove the top of the IEC plug. Reserve plug top and screw for use later.



- 4 Unscrew and remove the cable clamp bridge found with in the IEC plug. Reserve for use later.



- 5 Feed the wires through the rubber grommet of the IEC plug. Connect the wires to the terminals as illustrated. Ensure the plug terminal screws are fully tight and the cable is secure.



- 6 Refit the cable clamp bridge to the IEC plug.
- 7 Fasten the plug top to the casing using the retention screw removed previously.
- 8 Loosen the screws in the empty positions of the heating tape terminal block.
See Figure 1, 3 and 4 illustrations.

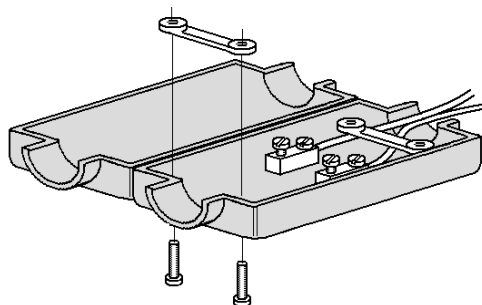
Or

Open up the case by unscrewing and removing the fastening screw found in the connection housing.

See Figure 2 illustration.

Loosen the screws in the empty positions of the terminal block.

Unscrew and remove the cable bridge clamp.

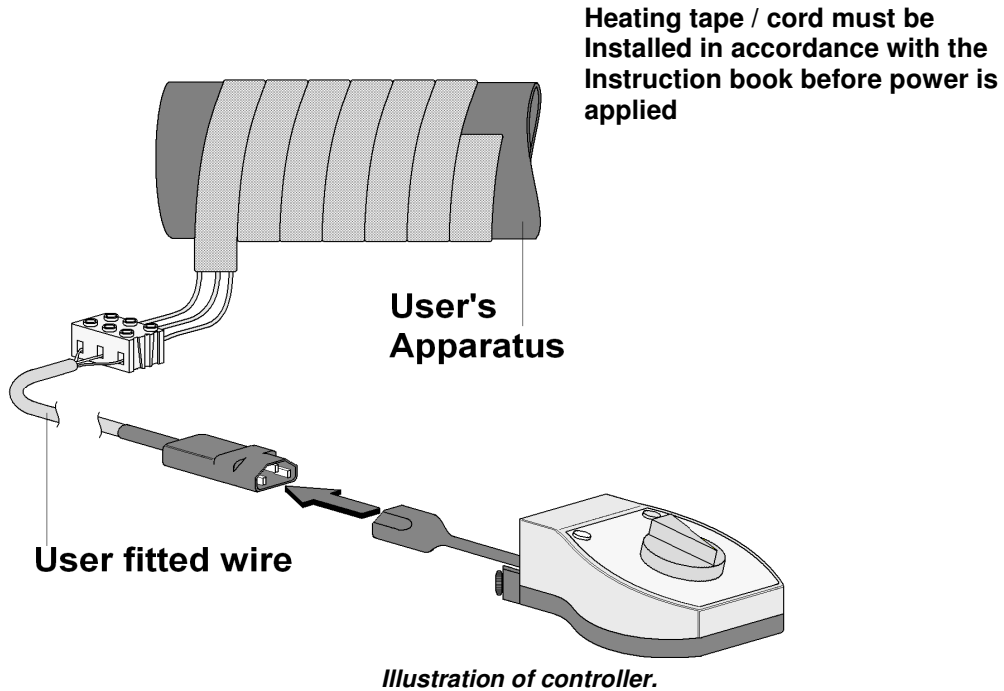


- 9 Fasten the wires from the IEC plug to the heating tape terminal block.
Note: There is no positive (+) or negative (-) polarity.

Warning: On heating tapes with 3 wires the Earth wire from the IEC plug must be connected to the earth position in the terminal block.

On the terminal case type refit the cable bridge clamp before closing and fastening the case.

- 10 Connection. Plug the IEC Plug to the IEC socket found on a lead connected to the MC5 controller.



- 11 Connect the MC controller to the mains electrical supply using the lead supplied with the controller.
- 12 Operate the controller as described in the controller's Operation Guide.

Bibby Scientific Limited
Beacon Road
Stone
Staffordshire
ST15 0SA
Tel +44(0)1785 812121
Fax+44(0)1785 810405

For the America's and Canada, contact:
Bibby Scientific USA
3 Terri Lane,
Suite 10 Burlington,
NJ 08016
USA.

Toll free:800-225-9243

Tel: 609-589-2560

Fax: 609-589-2571

Email: labproducts@techneusa.com

Http: www.techneusa.com

- Email: General enquiries:
info@bibby-scientific.com
- Order enquiries:
enquiries@bibby-scientific.com
- Help with existing products:
electrothermalhelp@bibby-scientific.com
- www.electrothermal.com