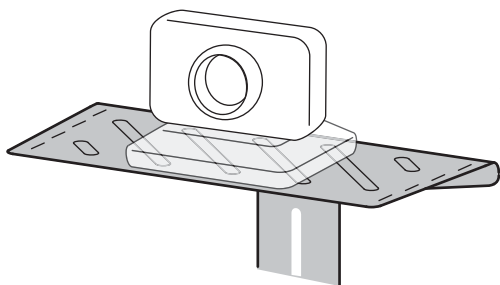
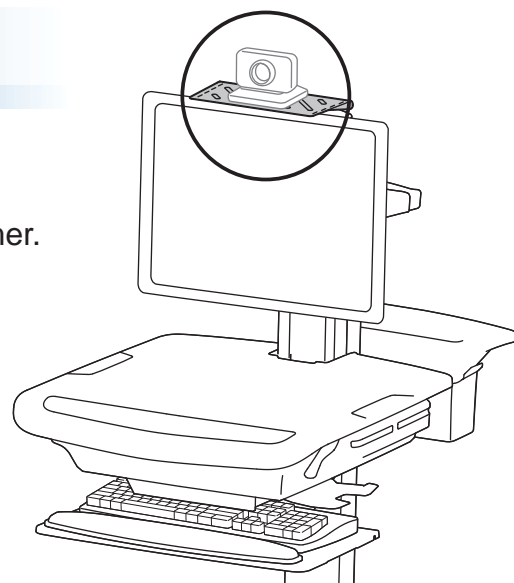


SV Teleconferencing Kit



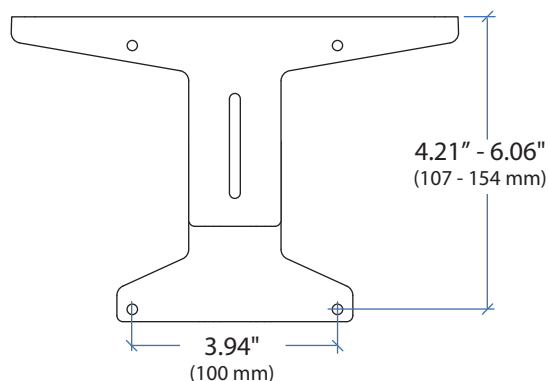
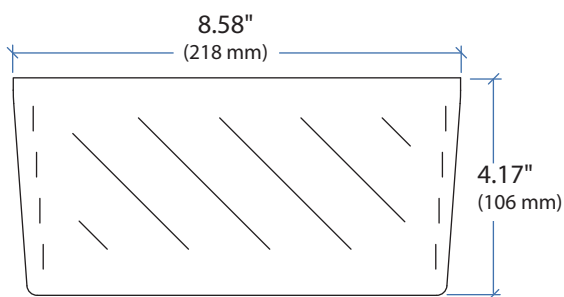
Max weight: 2 lbs (1 kg)

NOTE: camera is supplied by customer.



Weight Capacity Limitations for Carts with Added Teleconferencing Kit					
	SV41	SV42 SLA	SV42 LiFe	SV31	SV32
LCD Arm or 5" Lift Pivot without lock-out	10 lbs. (4.5 kg)	10 lbs. (4.5 kg)	7 lbs. (3.2 kg)	12 lbs. (5.4 kg)	12 lbs. (5.4 kg)
5" Lift with lock-out	16 lbs. (7.3 kg)	16 lbs. (7.3 kg)	16 lbs. (7.3 kg)	16 lbs. (7.3 kg)	16 lbs. (7.3 kg)

Dimensions



© 2013 Ergotron, Inc. rev. 07/11/2013 DIM-SVteleconfKit Content is subject to change without notification

Americas Sales and Corporate Headquarters

St. Paul, MN USA
 (800) 888-8458
 +1-651-681-7600
www.ergotron.com
sales@ergotron.com

EMEA Sales

Amersfoort, The Netherlands
 +31 33 45 45 600
www.ergotron.com
info.eu@ergotron.com

APAC Sales

Tokyo, Japan
www.ergotron.com
apaccustomerservice@ergotron.com

Worldwide OEM Sales

www.ergotron.com
info.oem@ergotron.com

