

**NOTE: This kit is intended to be attached to a cart with single LCD pivot and one drawer.**

<b>Safety</b> .....	<b>2</b>
<b>Features &amp; Specifications</b> .....	<b>3</b>
<b>Tools Needed &amp; Components</b> .....	<b>4</b>
<b>Drawer</b> .....	<b>5 - 10</b>
<b>CPU Holder</b> .....	<b>11 - 13</b>
<b>Camera Shelf</b> .....	<b>14 - 15</b>
<b>Rear Pivot</b> .....	<b>16 - 19</b>
<b>Adjustment</b> .....	<b>20</b>
<b>To Stop Independent LCD Lift</b> .....	<b>21</b>
<b>Maintenance &amp; Safety</b> .....	<b>22- 23</b>

For the latest User Installation Guide please visit: [www.ergotron.com](http://www.ergotron.com)



**User's Guide - English**  
**Guía del usuario - Español**  
**Manuel de l'utilisateur - Français**  
**Gebbruikersgids - Deutsch**  
**Benutzerhandbuch - Nederlands**  
**Guida per l'utente - Italiano**  
**Användarhandbok - svenska**  
 ユーザーガイド : 日本語  
 用户指南 : 汉语

 **www.ergotron.com**  
 USA 1-800-888-8458  
 Europe +31 (0)33-45 45 600  
 China 86-769-86018920

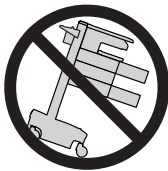
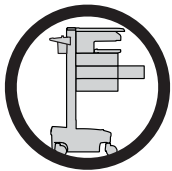
# Hazard Symbols

## Review

These symbols alert users of a safety condition that demands attention. All users should be able to recognize and understand the significance of the following Safety Hazards if encountered on the product or within the documentation. Children who are not able to recognize and respond appropriately to Safety Alerts should not use this product without adult supervision!

Symbol	Signal Word/ Color	Level of Hazard
	<b>DANGER</b>	Indicates an imminently hazardous situation which, if not avoided, will result in death or serious injury.
	<b>WARNING</b>	Indicates a potentially hazardous situation which, if not avoided, could result in death or serious injury.
	<b>CAUTION</b>	Indicates a potentially hazardous situation which, if not avoided, may result in minor or moderate injury.
	<b>CAUTION</b>	Used without the safety alert symbol indicates a potentially hazardous situation which, if not avoided, may result in property damage.
	<b>INSTRUCTIONS</b>	Follow operating instructions.
	<b>INSTRUCTIONS</b>	Follow operating instructions.
	<b>POWER</b>	"ON" / "OFF" (push-push) NOTE: Each position "ON" / "OFF" is a stable position.

## Safety



**CAUTION:** Close worksurface before opening drawers. Open only one drawer at a time. Do Not push cart when drawers or worksurface are open. Failure to follow these instructions may cause the cart to be unstable.

**WARNING**

**IMPACT HAZARD!**  
MOVING PARTS CAN CRUSH AND CUT.

**Minimize Lift Tension BEFORE:**

- Removing Mounted Equipment.
- Shipping Cart
- Storing Cart

**To Minimize Lift Tension**

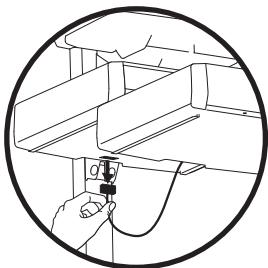
1. Lower worksurface to lowest position.
2. Turn adjustment nut at top of riser counterclockwise until it stops (Adjustment may require 40-60 revolutions).

**Failure to heed this warning may result in serious personal injury or property damage!**

For More information and instructions refer to product guide at <http://4support.ergotron.com> or contact Ergotron Customer Care at 1-800-888-8458.

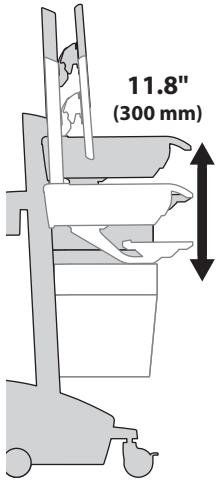
822-052

Important! You will need to adjust this product after installation is complete. Make sure all your equipment is properly installed on the product before attempting adjustments. This product should move smoothly and easily through the full range of motion and stay where you set it. If movements are too easy or difficult or if product does not stay in desired positions, follow the adjustment instructions to create smooth and easy movements. Depending on your product and the adjustment, it may take many turns to notice a difference. Any time equipment is added or removed from this product, resulting in a change in the weight of the mounted load, you should repeat these adjustment steps to ensure safe and optimum operation.



**NOTE:** When removing drawers from the cart, make sure to disconnect the cable.

# Features & Specifications



**Weight Capacity**

**With Independent LCD Lift:**  
6-14 lbs (2.7-6.4 kg)

**Without Independent LCD Lift:**  
20 lbs (9 kg)\*  
*\* See "How To Eliminate Independent LCD Lift" section*

0 lbs (0 kg) Open Worksurface  
<5 lbs (2.3 kg) Closed Worksurface  
<13 lbs (5.9 kg) CPU Compartment

<2 lbs (0.9 kg)

<2 lbs (0.9 kg)

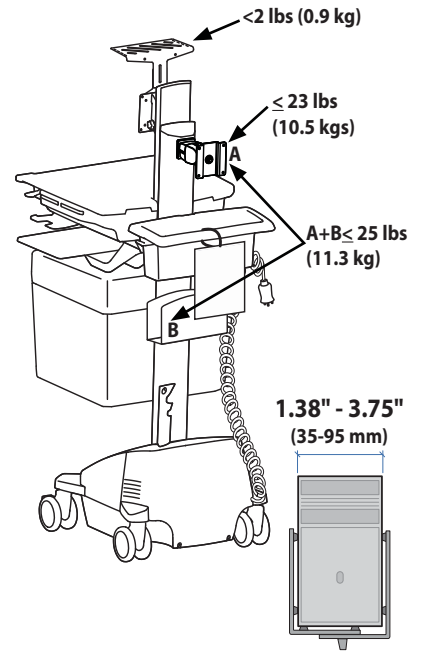
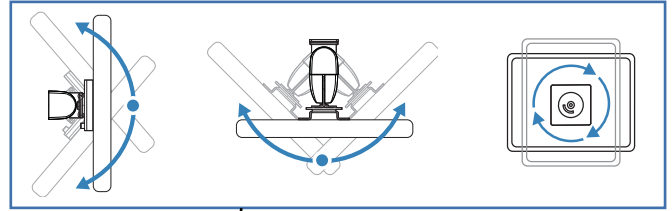
≤ 2 lbs (1 kg)

\*Combined LCD and CPU Compartment weight: <27 lbs (12.2 kg).



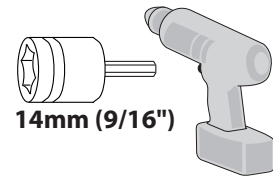
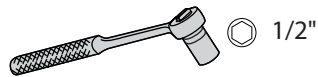
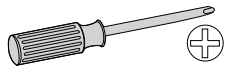
**CAUTION:**

If the combined LCD and CPU weight is greater than 27 lbs (12.2 kg) then the CPU must be mounted to the rear of the cart using the Universal CPU Holder accessory (ordered separately).



ENGLISH

# Tools Needed



# Components

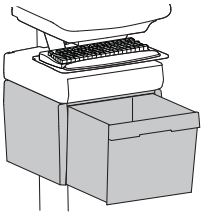
	A	B	C	D	E
1	1x				1x
2	1x	1x	1x	1x	2x
3					4x

	A	B	C	D
1	1x	1x	1x  2x	1x  1x

	A	B	C	D	E	F
1	1x	1x	<del>2x </del>	2x  2x	12x	2x

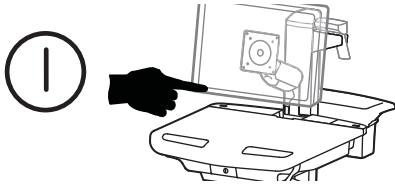
	A	B	C
1	1x	1x  1x	1x  4x  8x  4x  1x  1x

ENGLISH

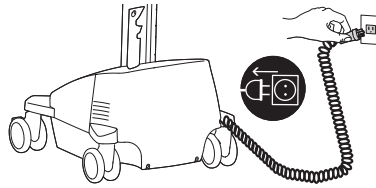


**1**  **WARNING! Disconnect all power to the cart and turn off all mounted equipment before proceeding with this installation. Failure to follow this warning may result in serious injury and or equipment damage.**

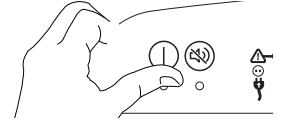
**a** Turn off all mounted equipment.



**b** Disconnect Power System from power source.

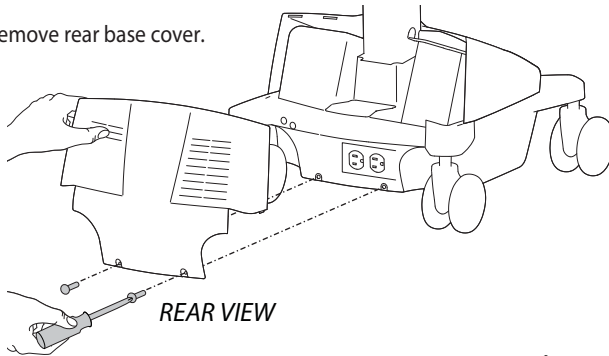


**c** Turn power system off by holding down the AC Outlet Power button for 1 - 3 seconds. Power light will shut off.

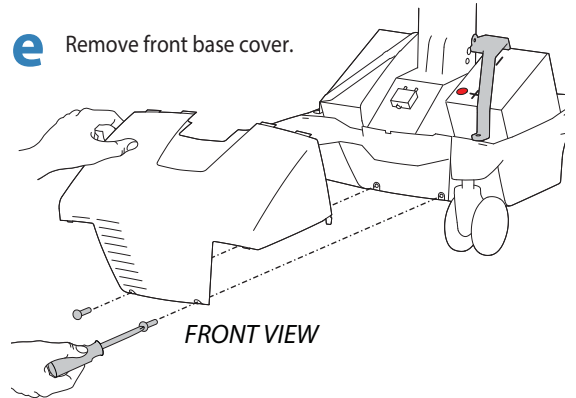


## LiFe Powered Carts

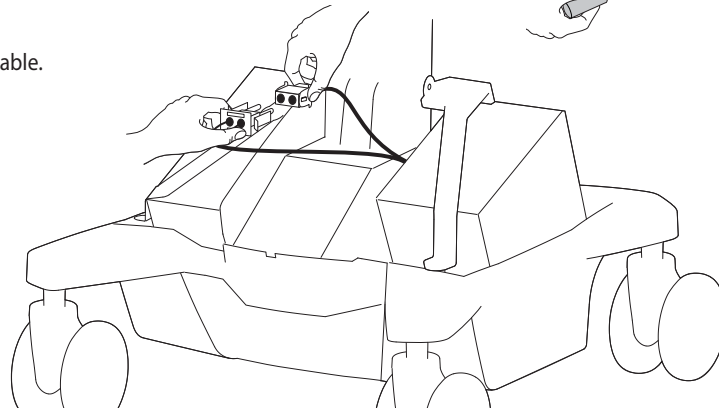
**d** Remove rear base cover.



**e** Remove front base cover.

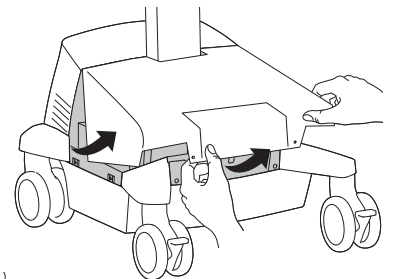
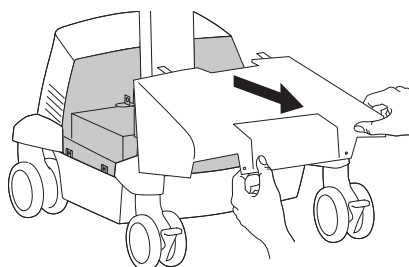
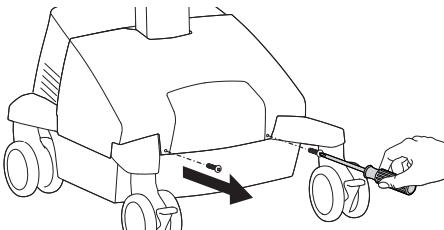


**f** Unplug drawer power cable.

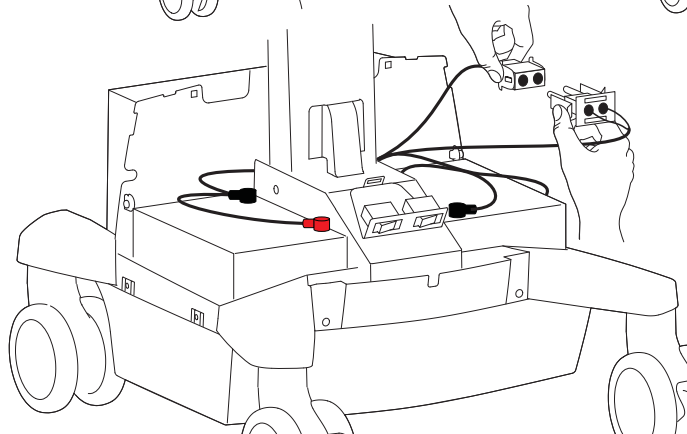


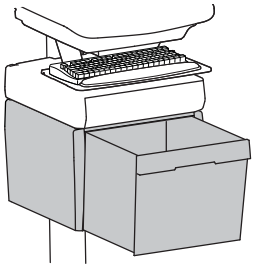
## SLA Powered Carts

**d** Remove front base cover.




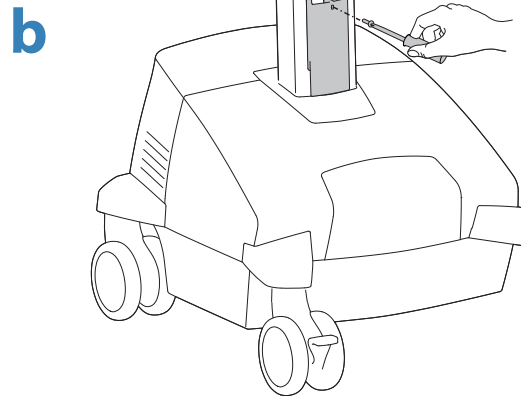
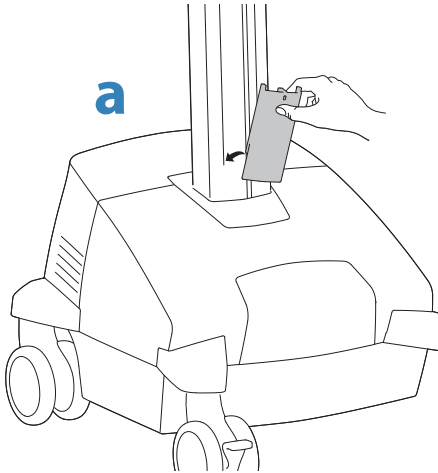
**e** Unplug drawer power cable.



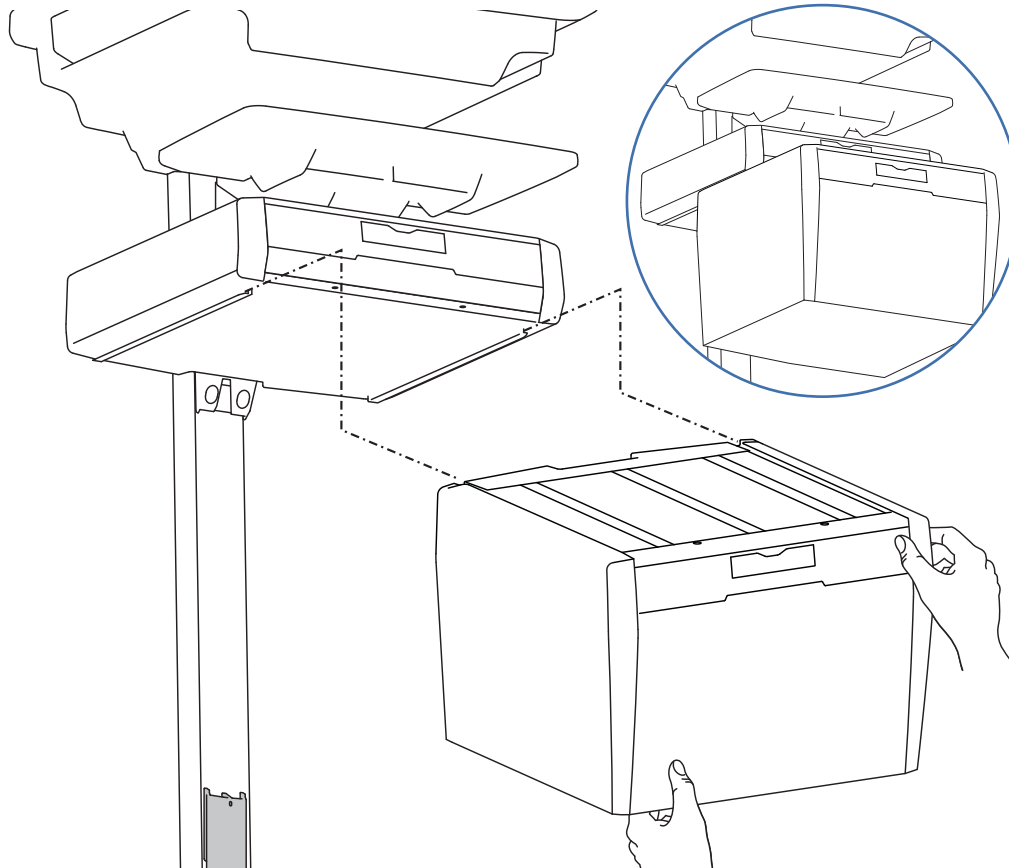


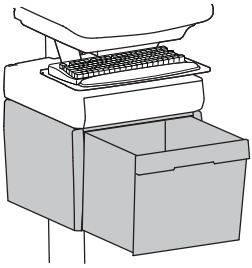
**2**  Attach the Travel Stop bracket to the lift engine to keep the drawer from hitting the base.

**1x**  M3 x 22mm

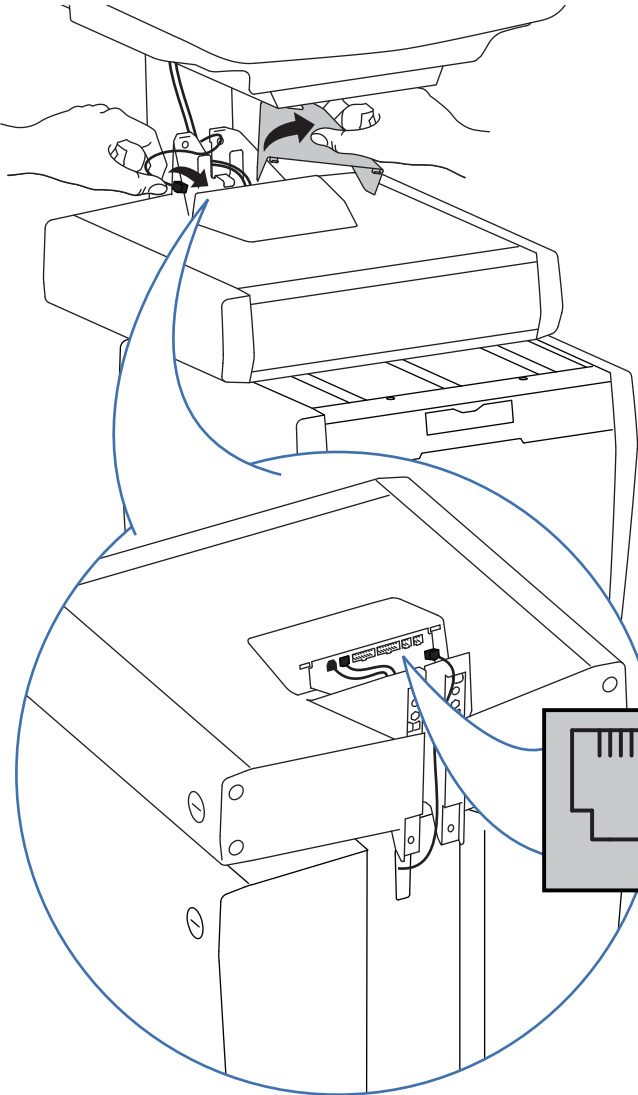


**3** Slide the drawer only half way onto the bottom tracks of the existing top drawer.

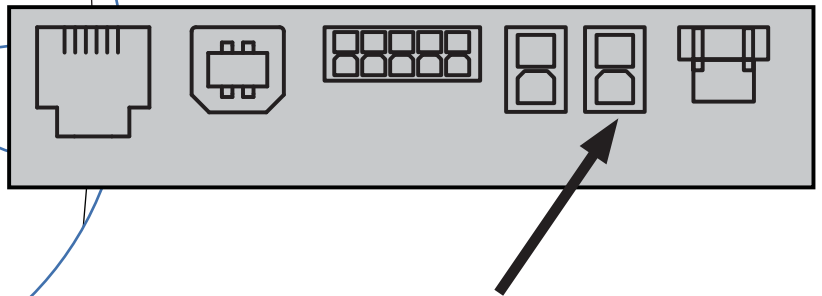




4



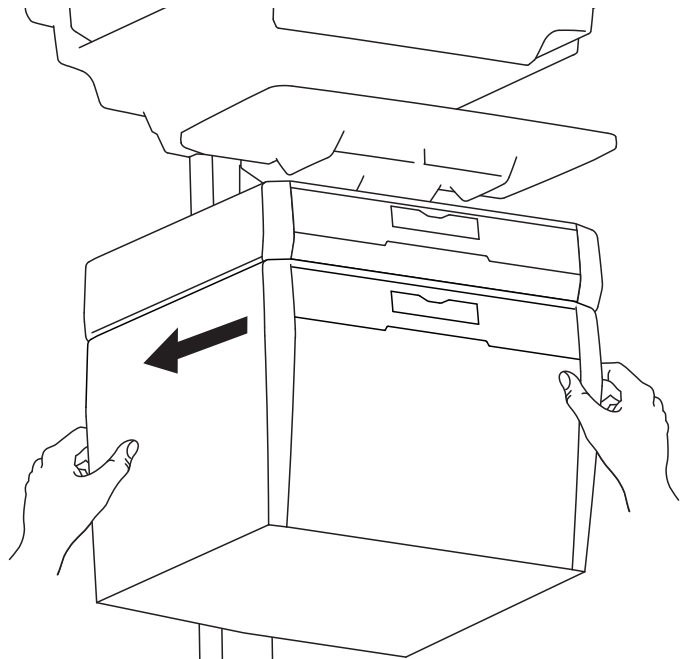
Remove the top cover on the top drawer and route the cable attached to the bottom drawer up into the control panel on the top drawer.

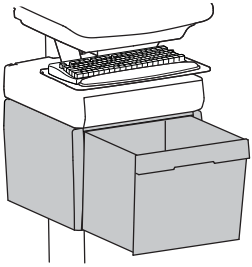


ENGLISH

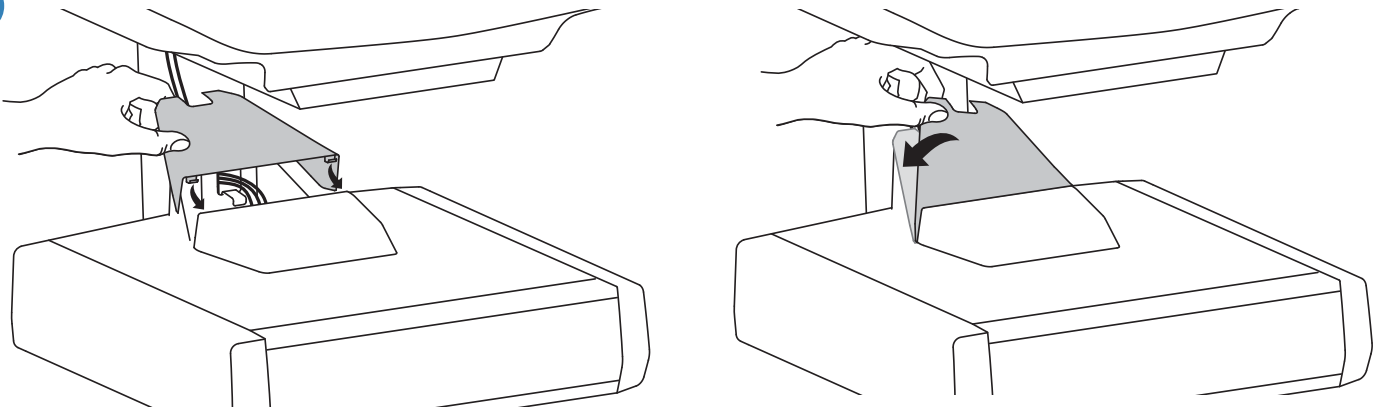
5

Slide the drawer completely onto the bottom tracks of the top drawer.

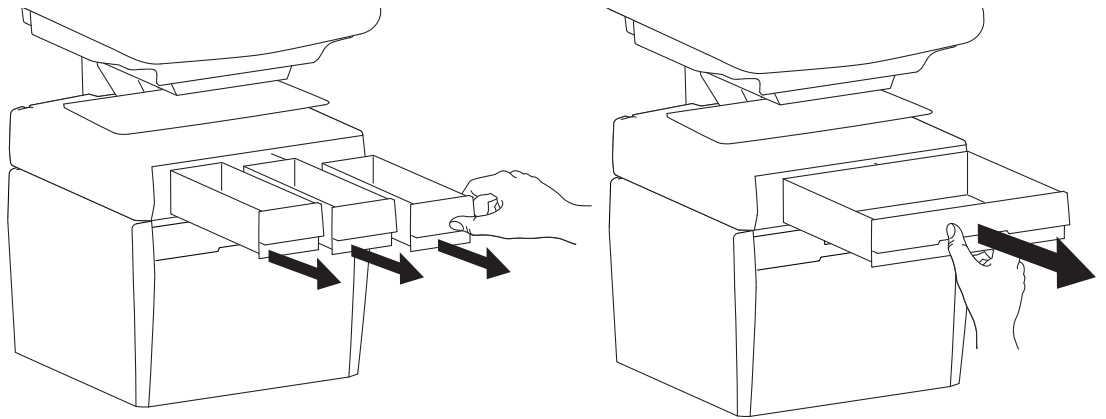




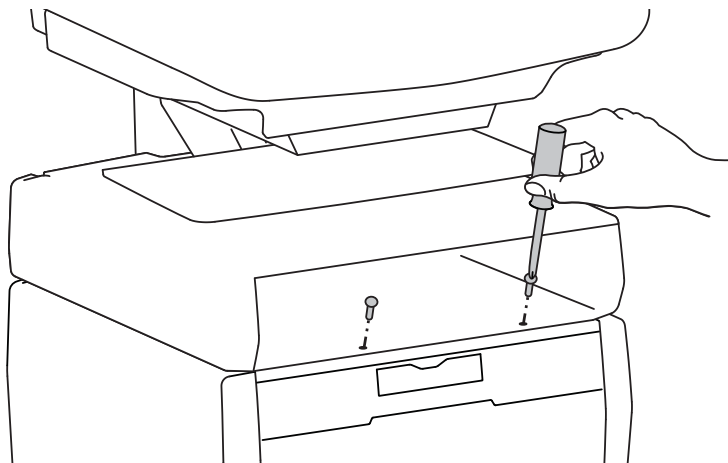
**6** Replace the top cover on the top drawer.

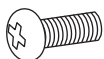


**7** Remove the top drawer(s).

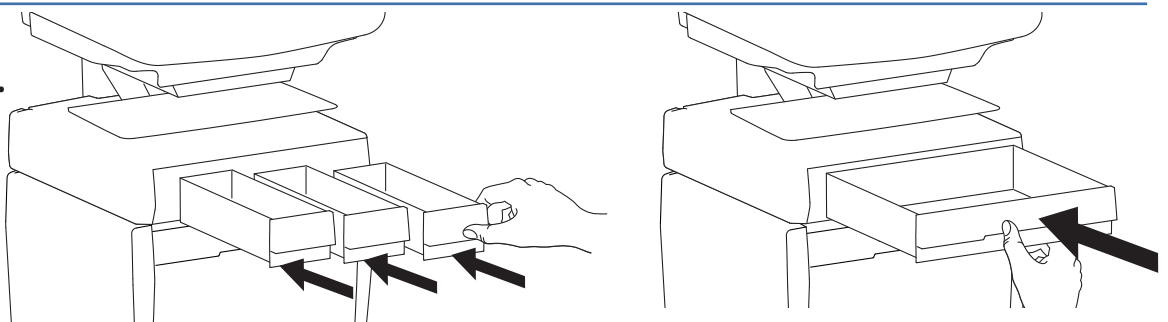


**8** Secure the bottom drawer by attaching the two screws.

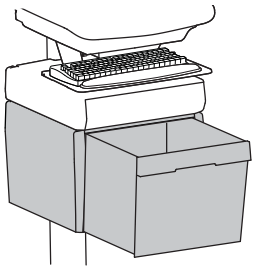


**2x**   
M4 x 12mm

**9** Replace the top drawer(s).



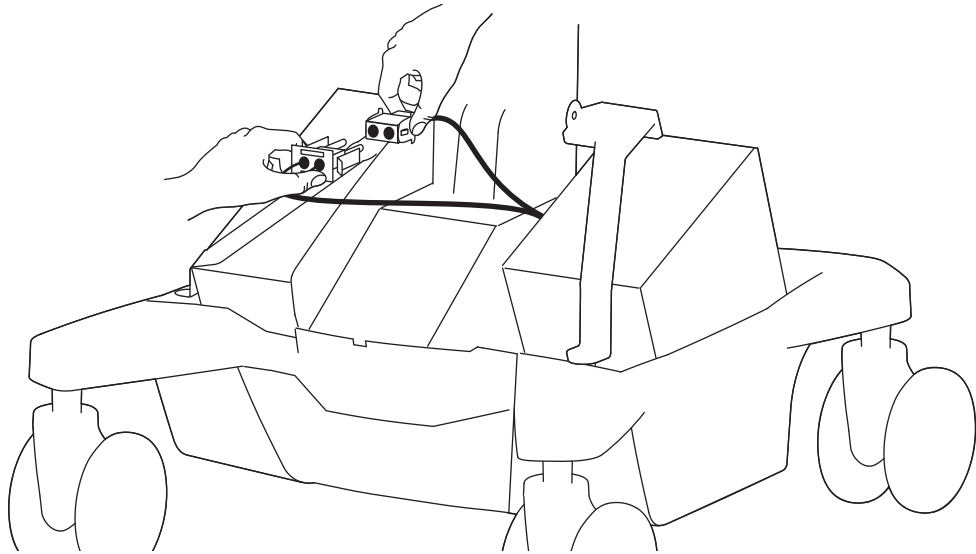




# 10 Plug drawer power cord back into power system.

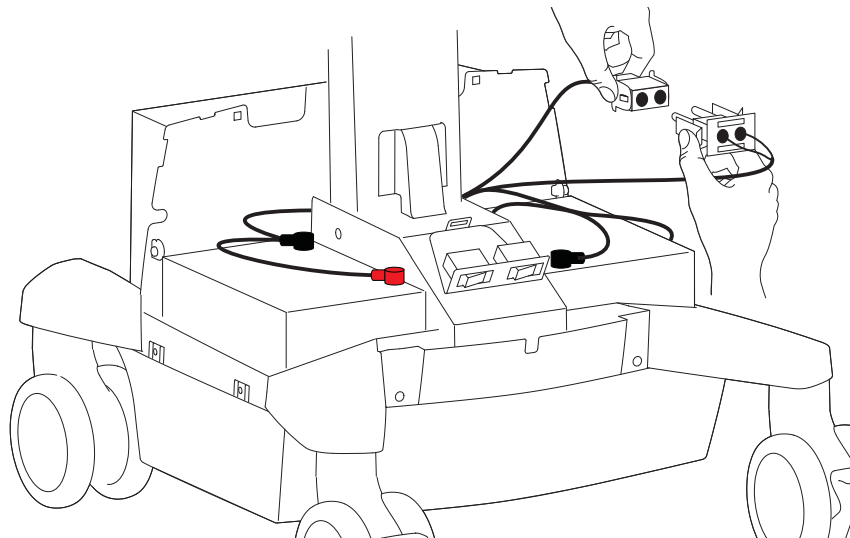
## LiFe Powered Carts

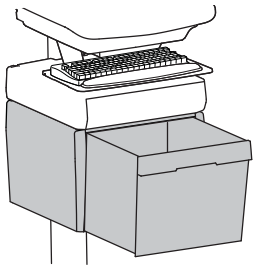
a



## SLA Powered Carts

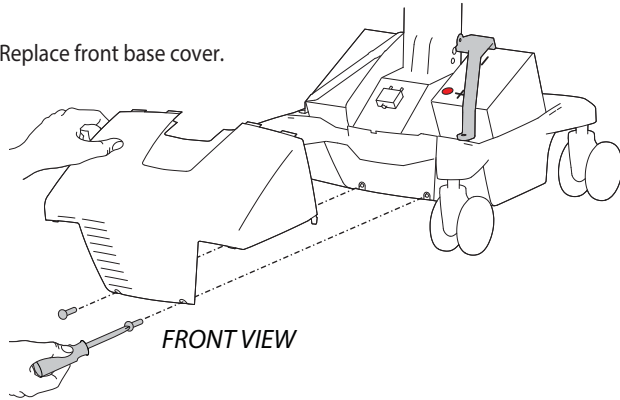
a



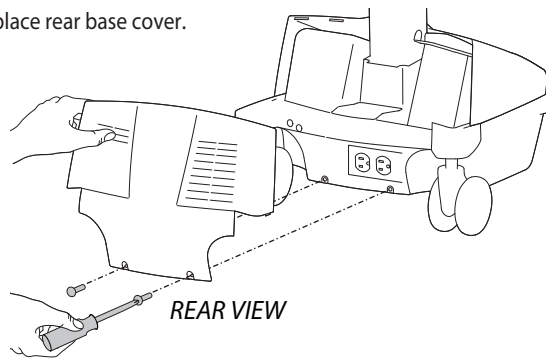


## LiFe Powered Carts

**b** Replace front base cover.

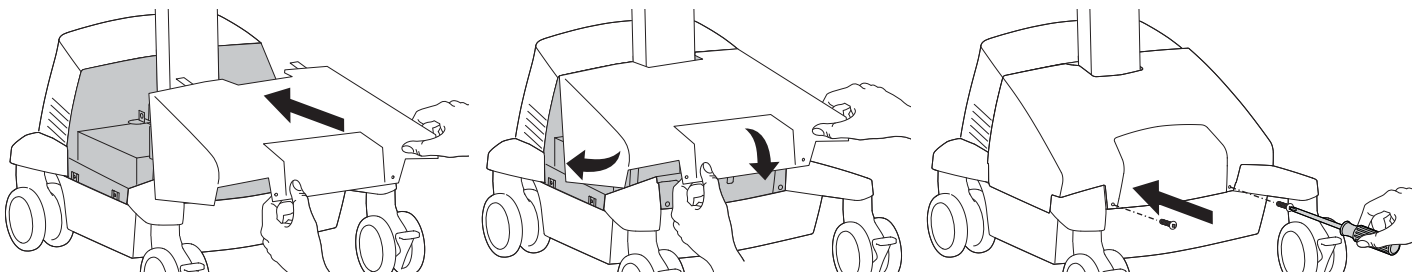


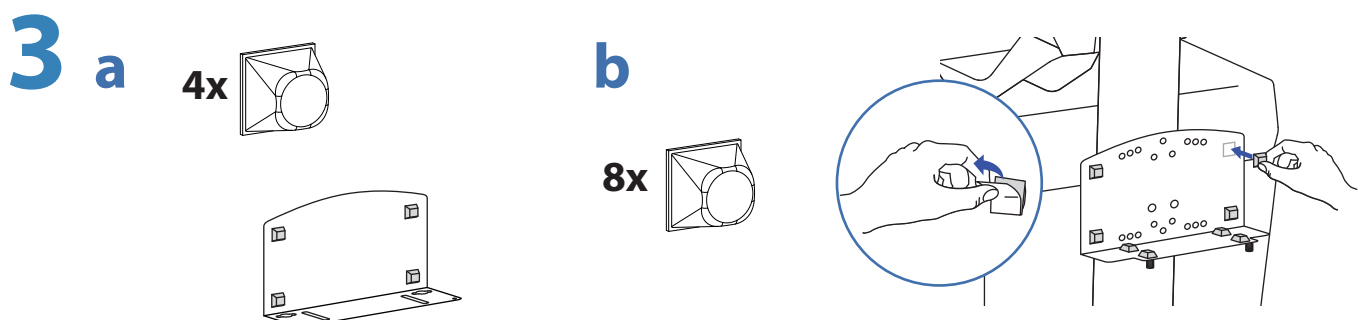
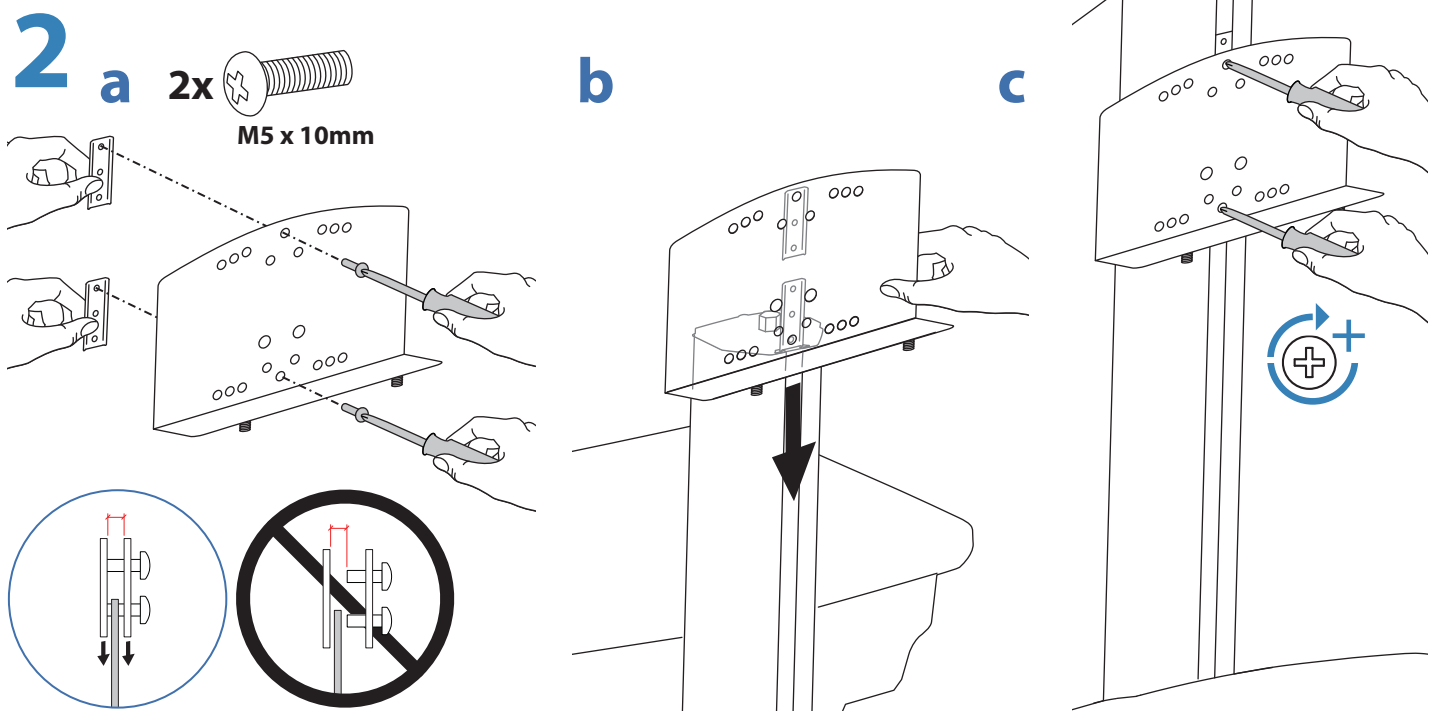
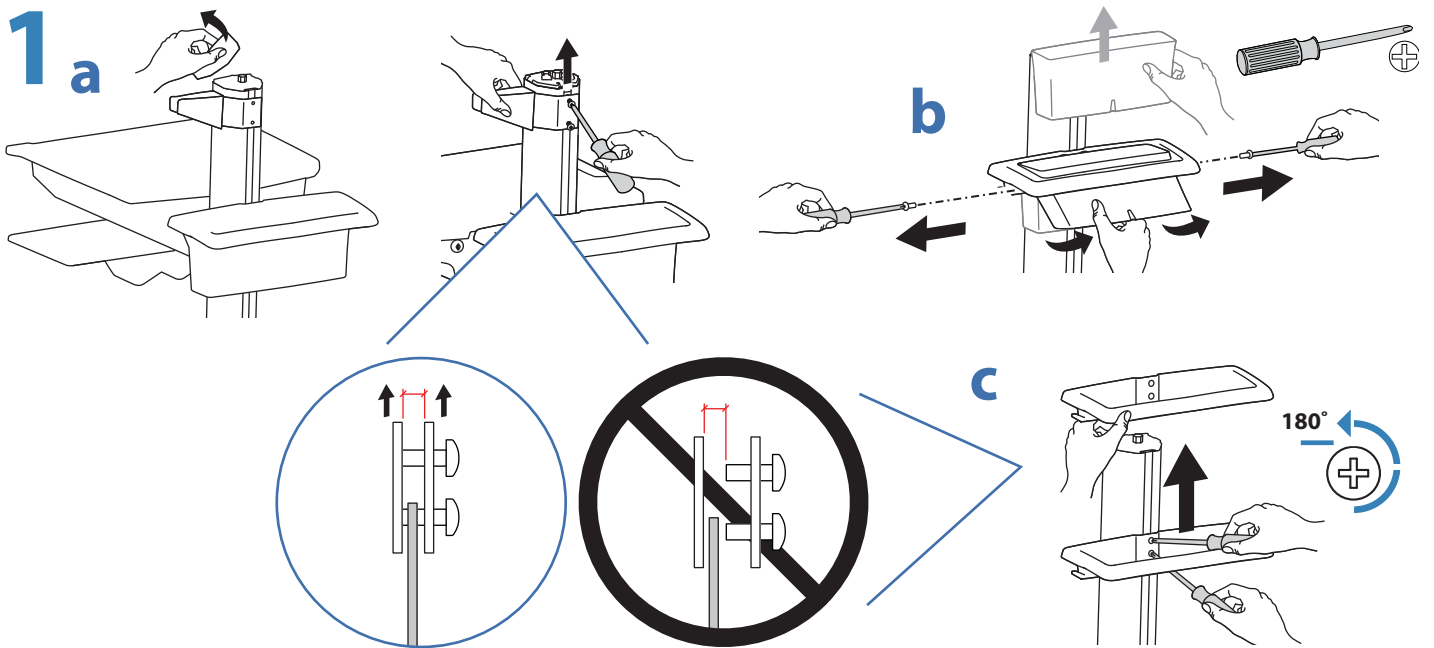
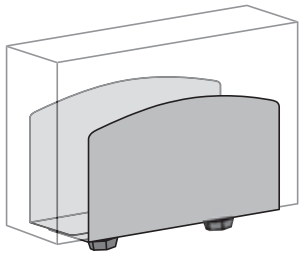
**c** Replace rear base cover.

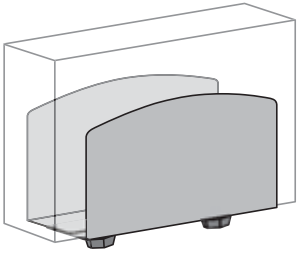


## SLA Powered Carts

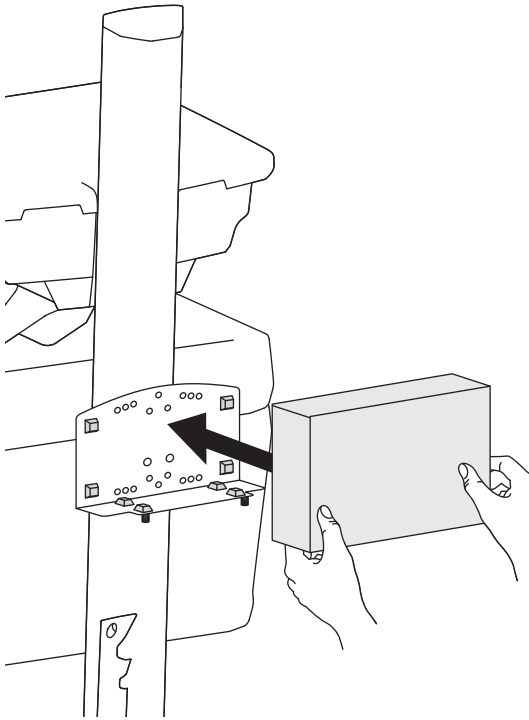
**b** Replace front base cover.



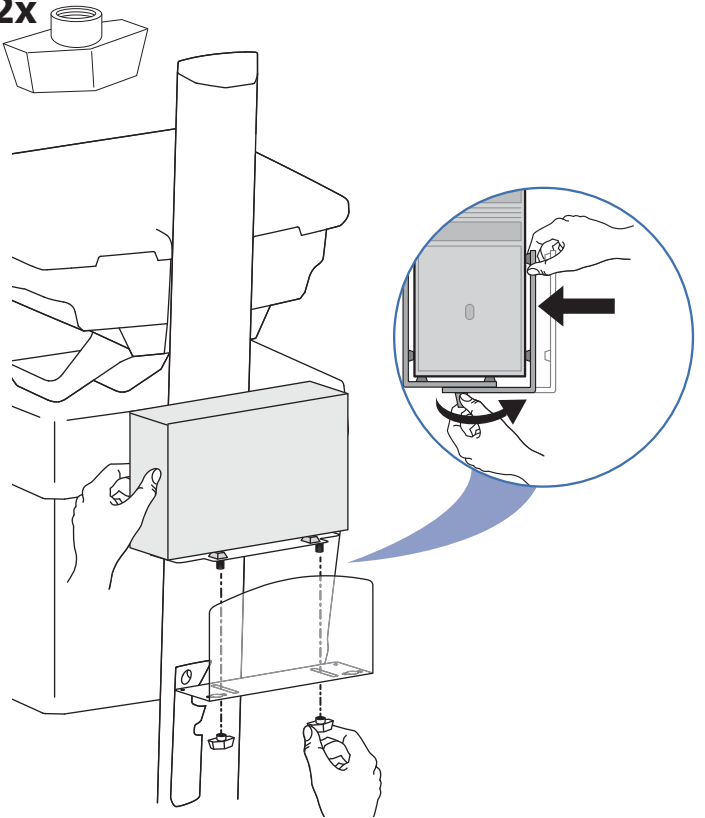




**4 a**

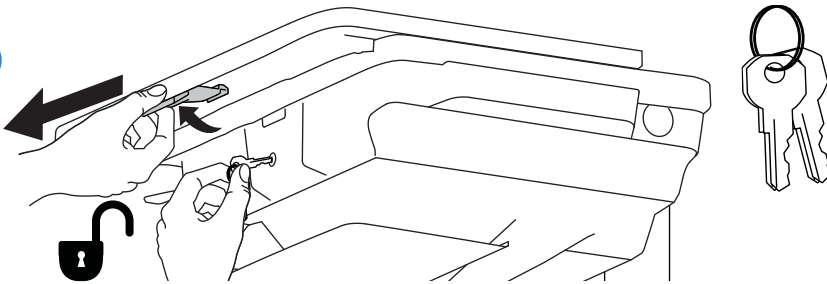


**b 2x**

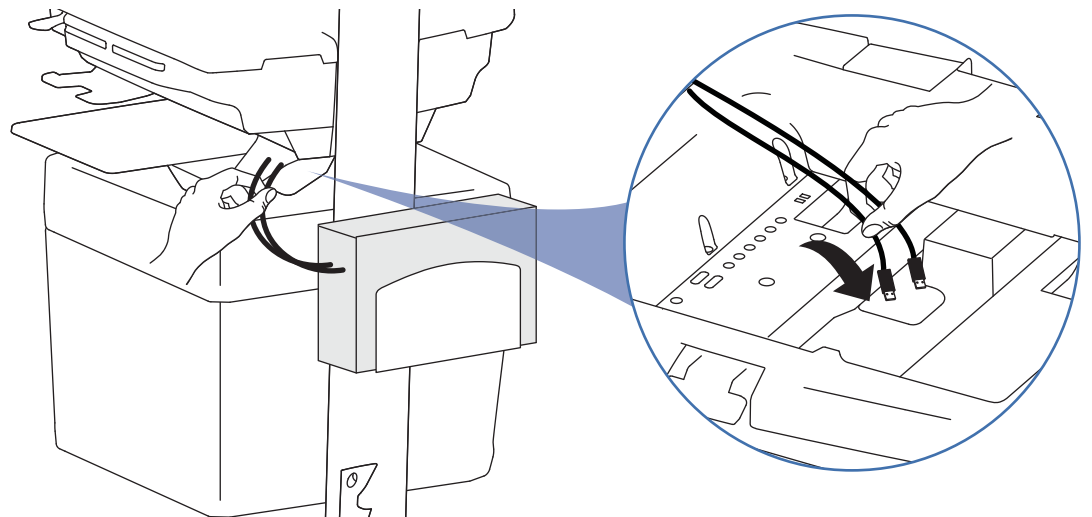


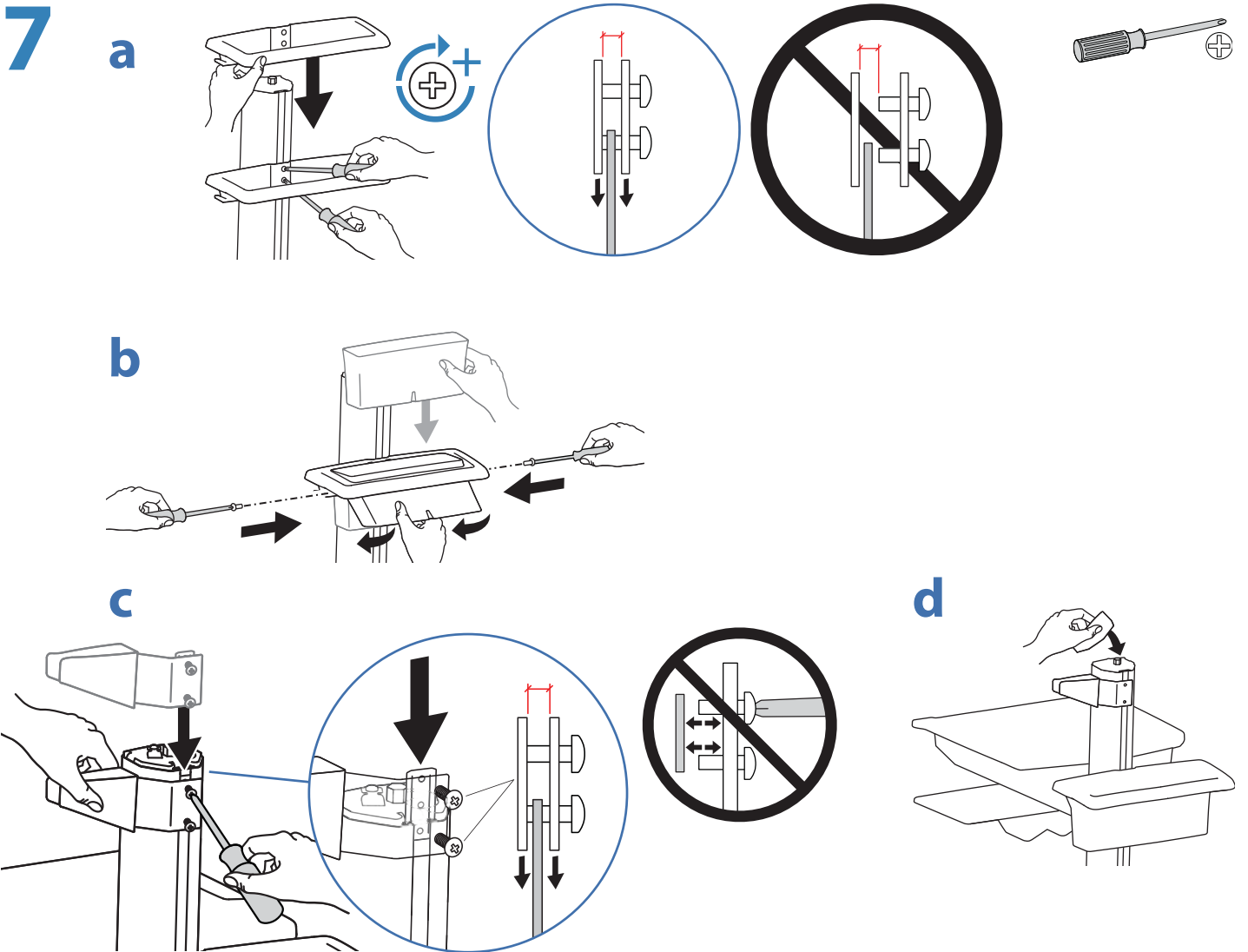
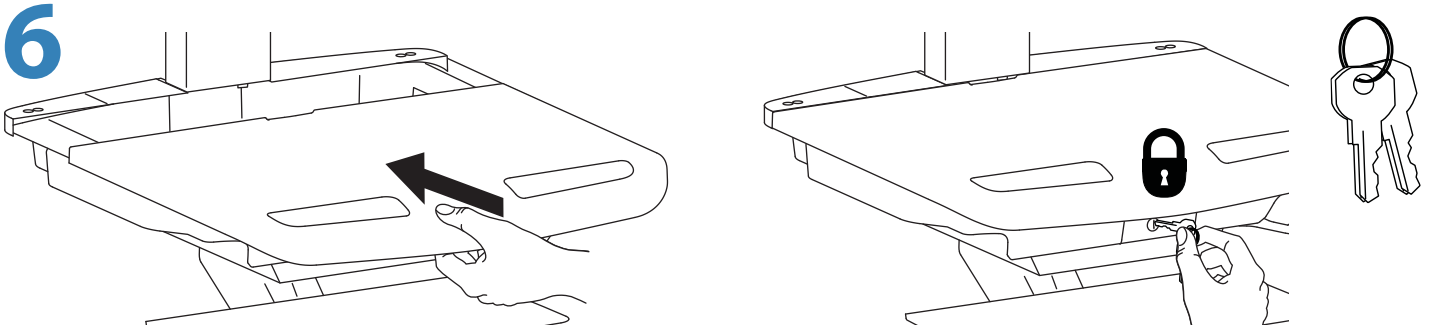
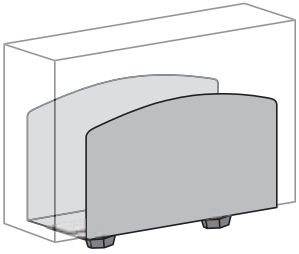
**5**

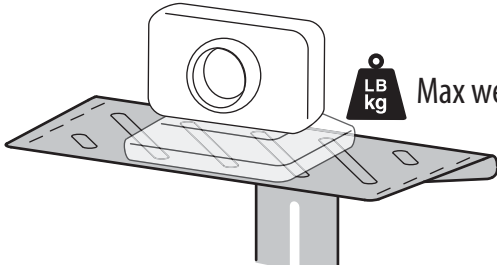
**a**



**b**







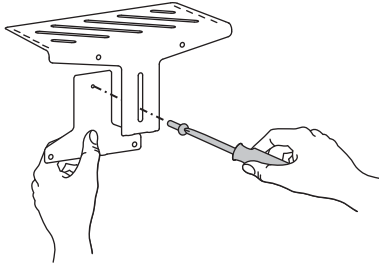
Max weight: 2 lbs (1 kg)



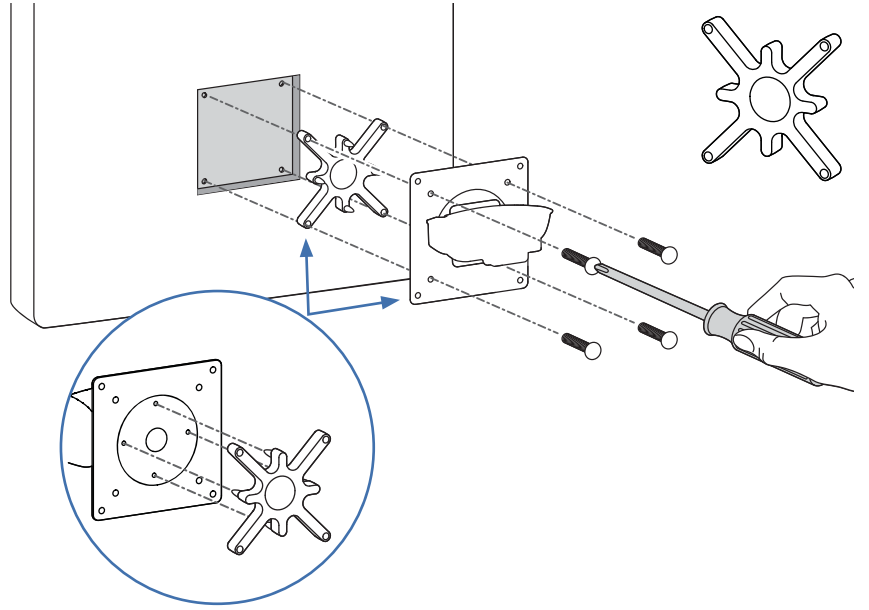
NOTE: camera is supplied by customer.

1

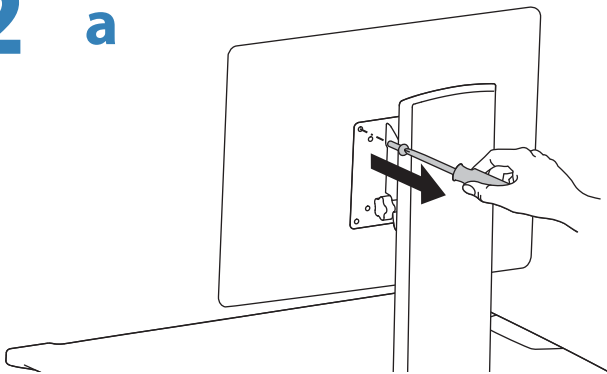
1x  M4 x 6mm

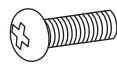


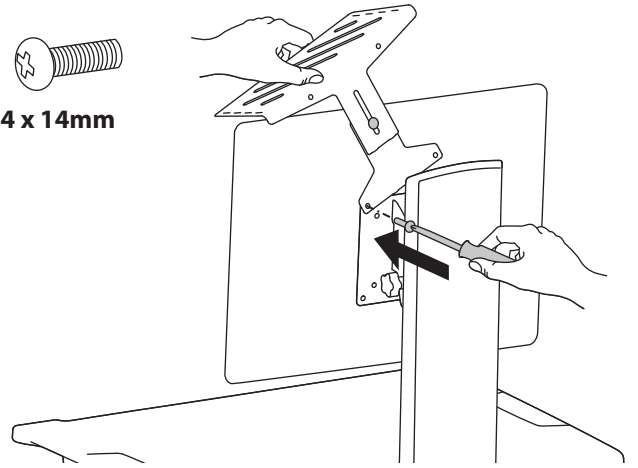
If your monitor has recessed mounting holes, you need to add the provided spacer between the monitor and the mounting plate.



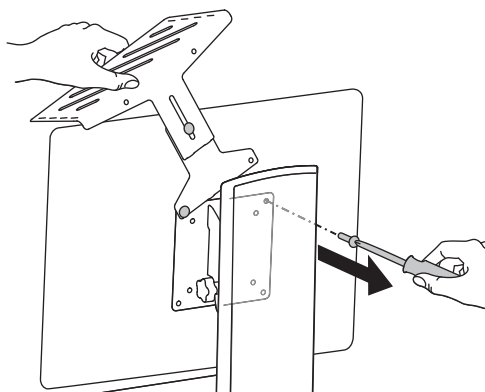
2 a

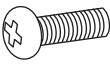


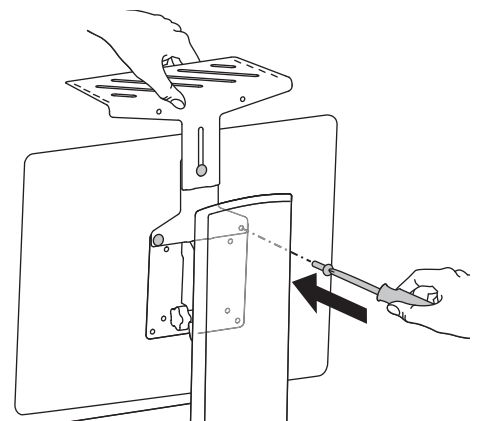
b 2x  M4 x 14mm

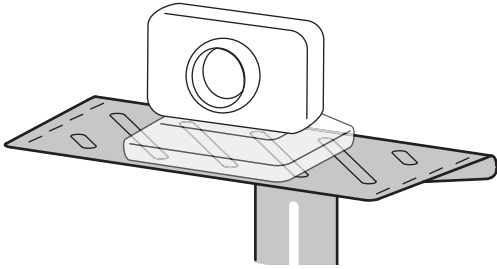


c



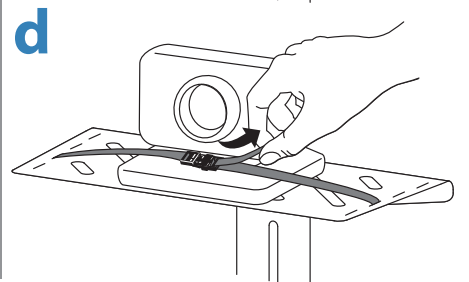
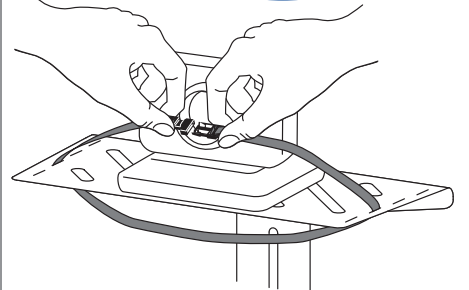
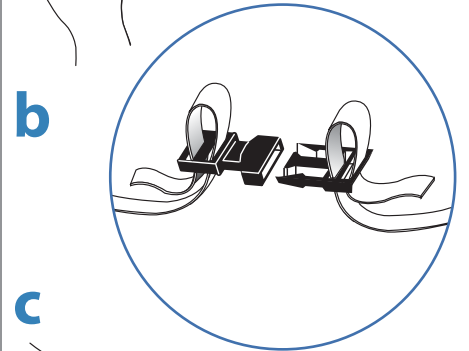
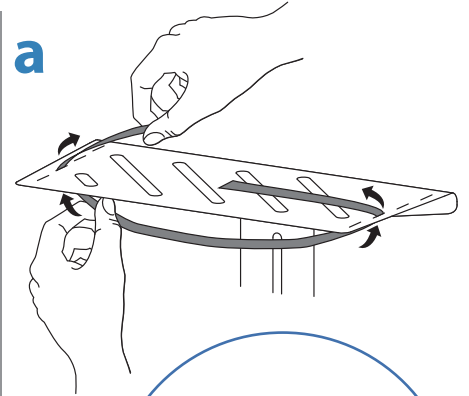
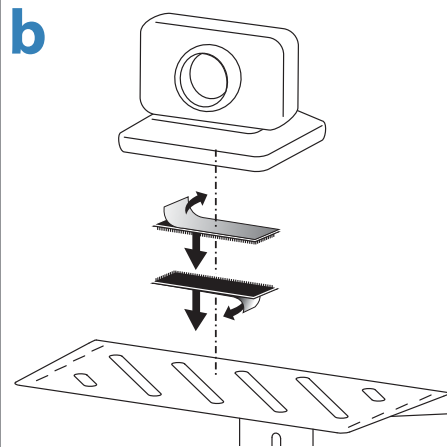
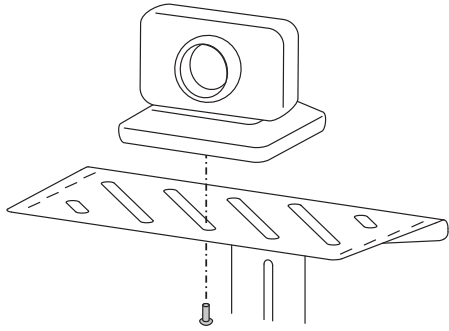
d 2x  M4 x 14mm

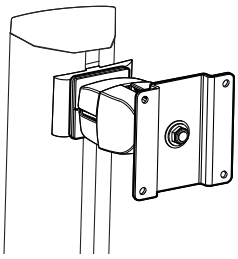




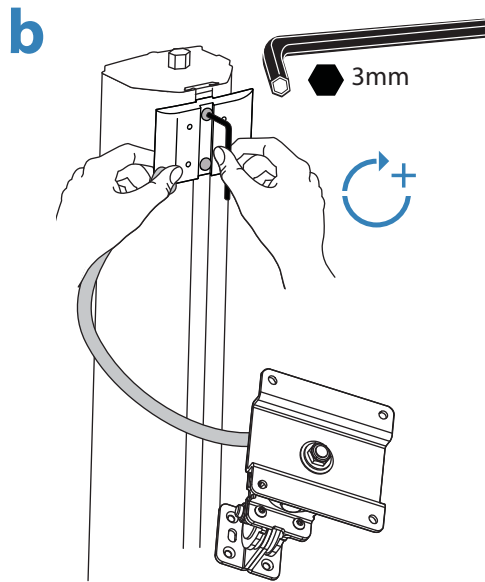
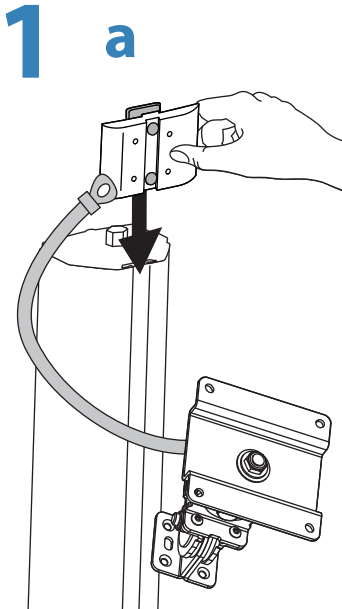
# 3

## 3 Mounting Options

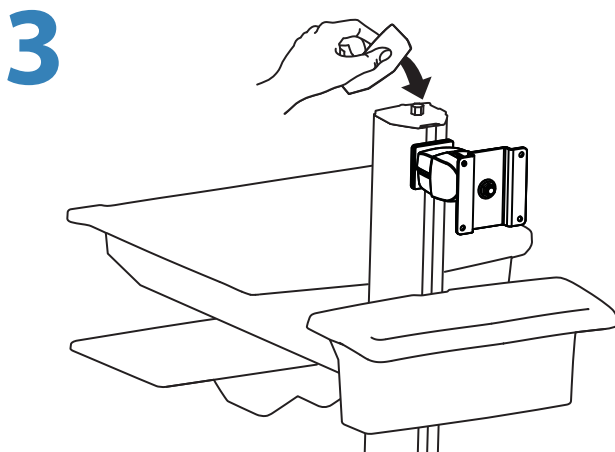
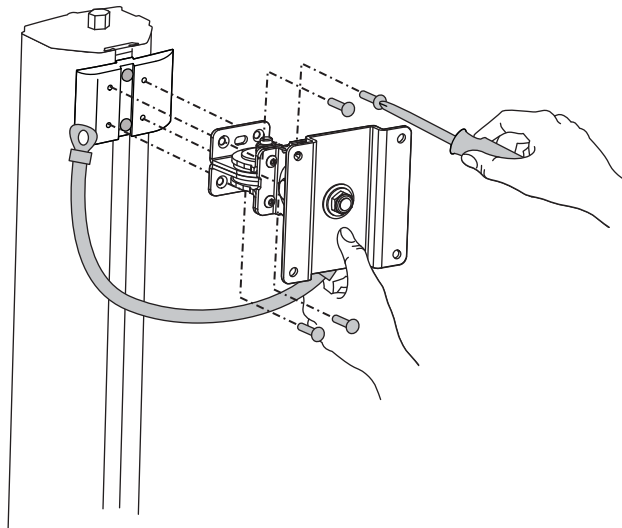




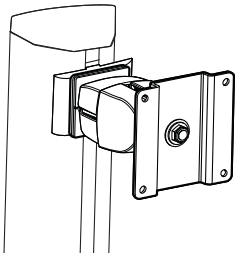
NOTE: Make sure scanner holder has been removed from rear of cart as instructed in step 1 on page 10 before attaching pivot.



**2** 4x   
M4 x 10mm



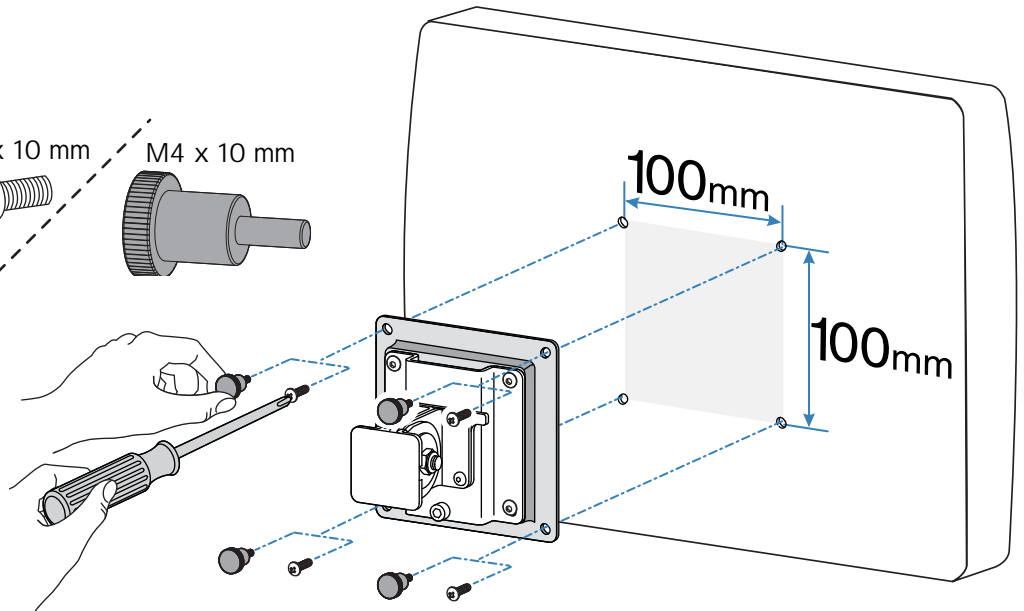
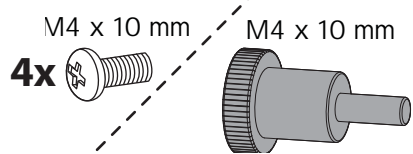
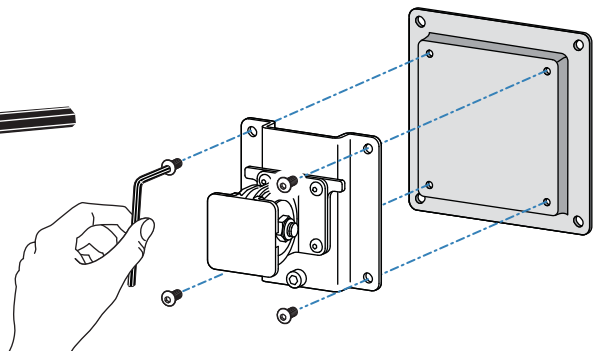
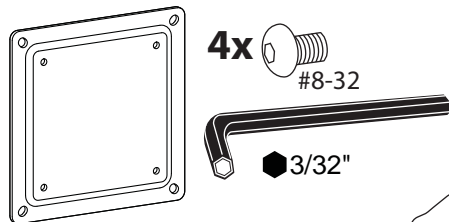
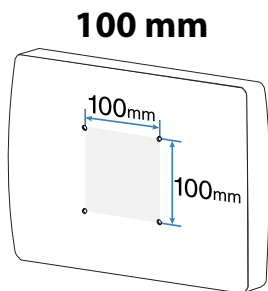
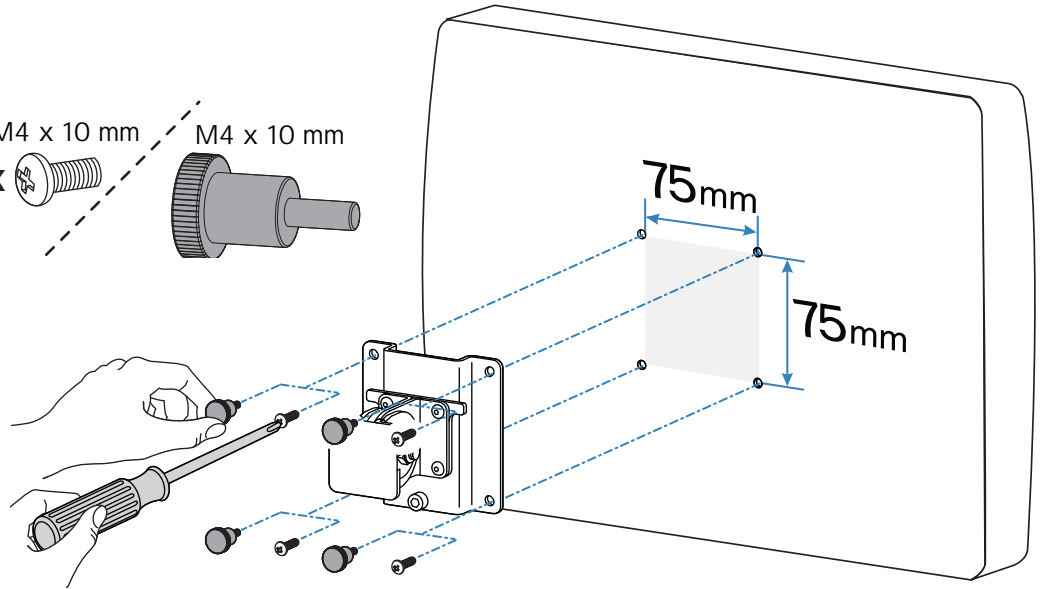
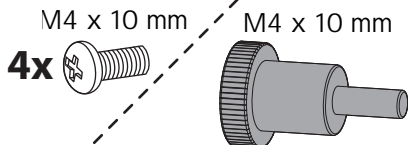
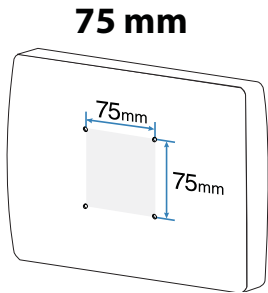


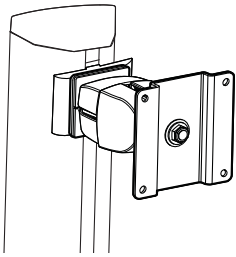


4



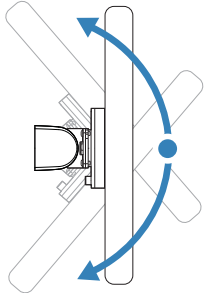
If your monitor uses a screw size other than M4 x 10mm, DO NOT use the M4 x 10mm screws or knob provided as they could result in damage to the monitor.



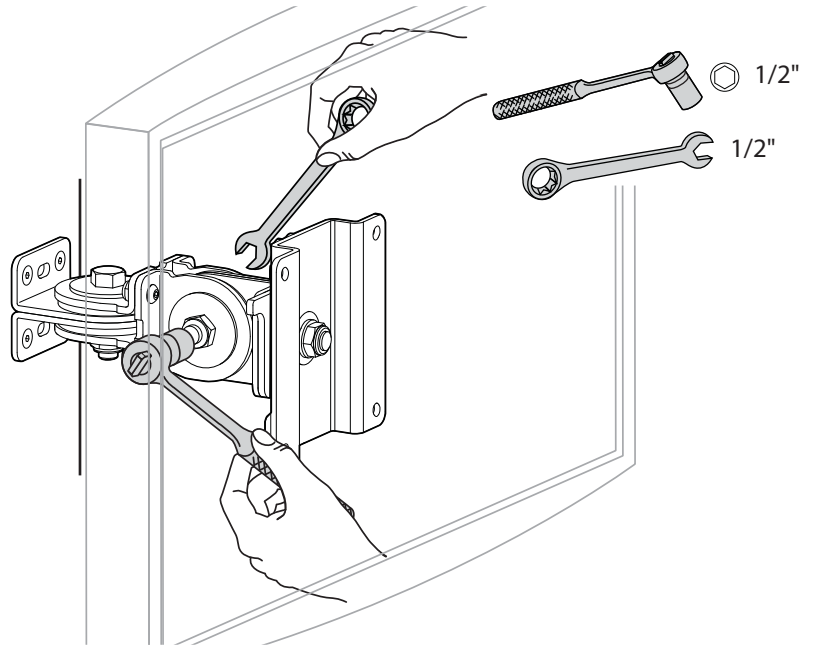


## 5 Tilt Motion

Tilt monitor up and down through entire pivot range of motion. If it does not stay in place or movement in one direction is stiff, pivot needs adjustment - see below. Adjust until monitor stays in place and tilting forces, up or down, are equal.



### Adjust Tilt

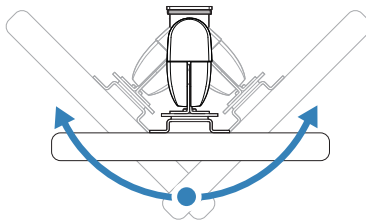


**+** **Increase Friction**  
If this product moves too easily, then you'll need to increase friction:

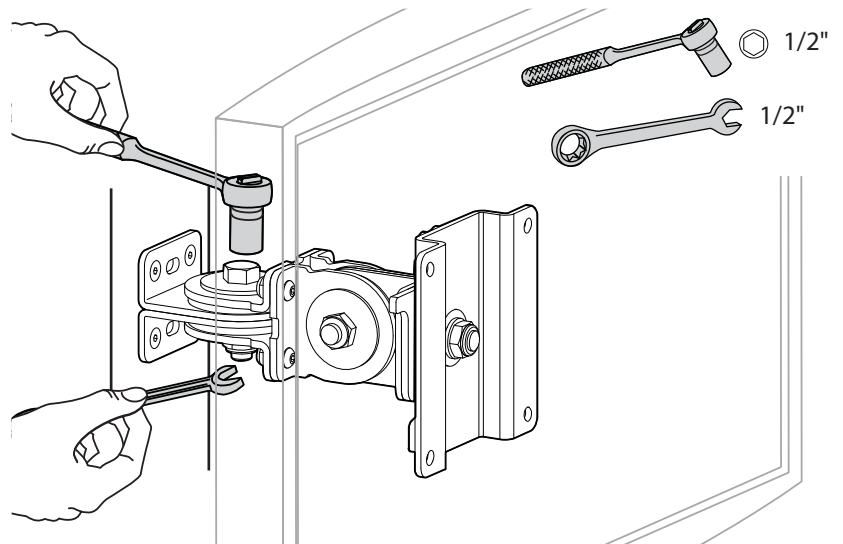
**-** **Decrease Friction**  
If this product is too difficult to move, then you'll need to decrease friction:

## 6 Side-to-Side Motion

Move monitor side-to-side through entire range of motion. If it does not stay in place at any point it will need adjustment - see below. Adjust so side-to-side moving forces are equal.

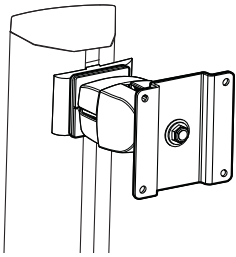


### Adjust Side-to-Side



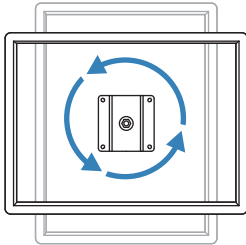
**+** **Increase Friction**  
If this product moves too easily from side-to-side, then you'll need to increase friction:

**-** **Decrease Friction**  
If this product is too difficult to move from side-to-side, then you'll need to decrease friction:



## 7 Portrait/Landscape

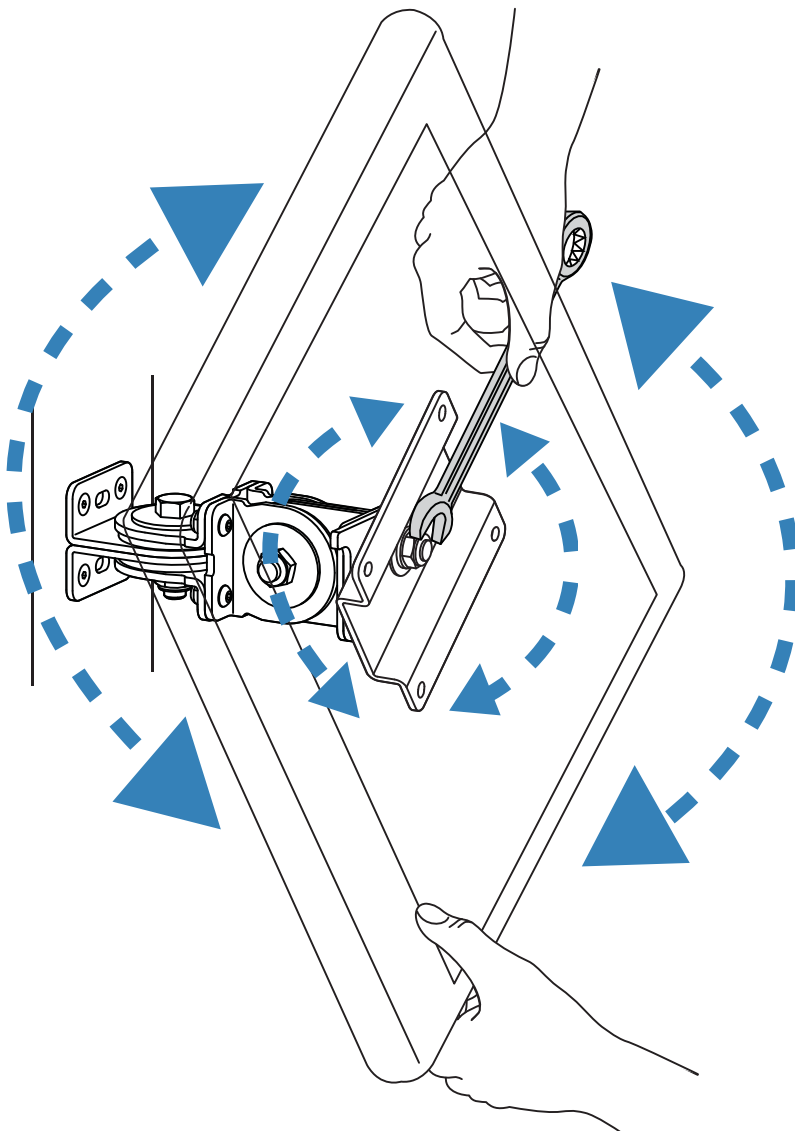
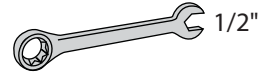
Rotate monitor from Portrait to Landscape through entire range of motion. If it does not stay in place or movement in one direction is stiff, tension needs adjustment - see below. Adjust until monitor stays in place and tension, portrait to landscape, is equal.



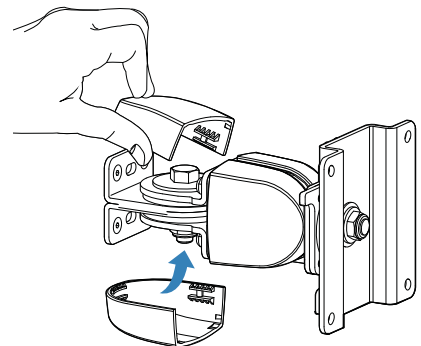
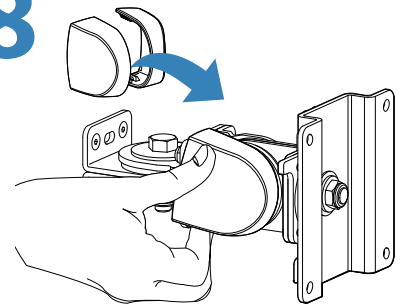
### Adjust Portrait/Landscape

To Increase Tension: Turn screw clockwise.

To Decrease Tension: Turn screw counterclockwise.



## 8

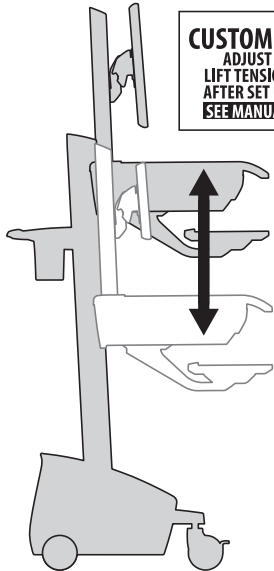




# Adjustment Step

It is important that you adjust this product according to the weight of the mounted equipment as described in the following steps. Any time equipment is added or removed from this product, resulting in a change in the weight of the mounted load, you should repeat these adjustment steps to ensure safe and optimum operation. Adjustments should move smoothly and easily through the full range of motion and stay where you set it. If adjustments are difficult and do not stay in the desired position, follow the instructions to loosen or tighten the tension to create a smooth, easy adjustment motion. Depending on your product and the adjustment, it may take several turns to notice a difference.

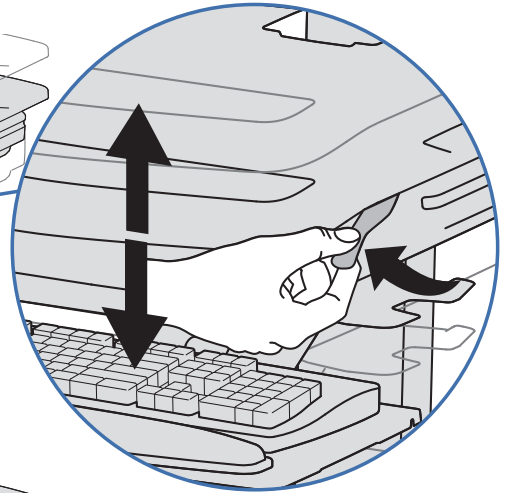
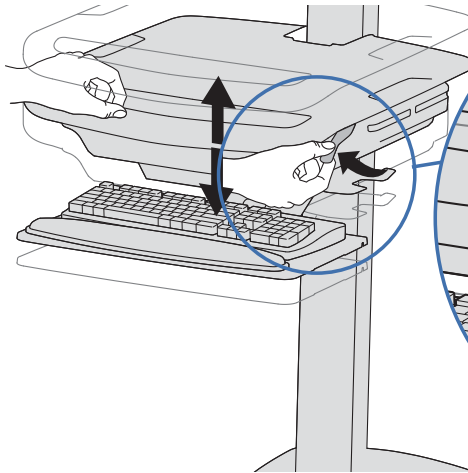
## Lift - Up and down



**CUSTOMER:**  
ADJUST  
LIFT TENSION  
AFTER SET UP  
SEE MANUAL  
822-421-00



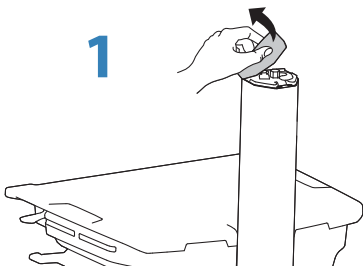
Release Brake to move riser.



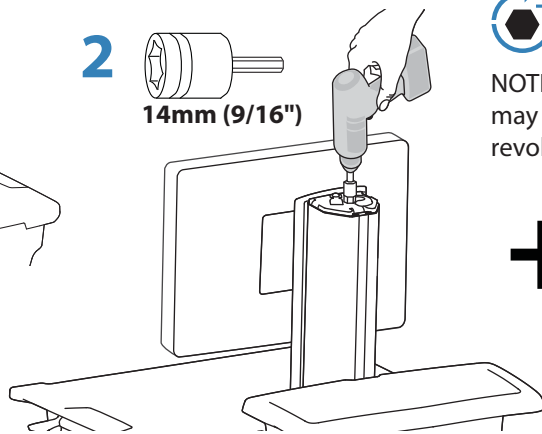
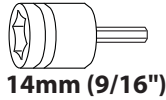
## a

Follow these instructions to tighten or loosen tension.

1

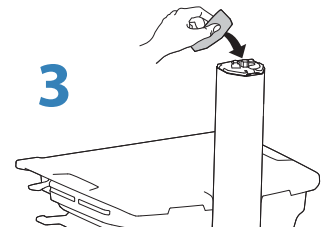


2



NOTE: Adjustment may require 40 - 60 revolutions.

3



### Increase Lift Strength

If the mounted weight is too heavy or this product does not stay up when raised, then you'll need to increase Lift Strength:



### Decrease Lift Strength

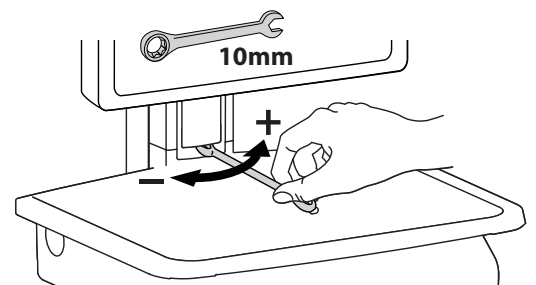
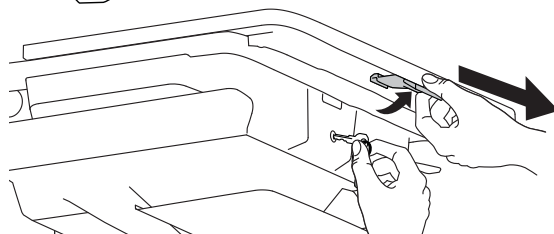
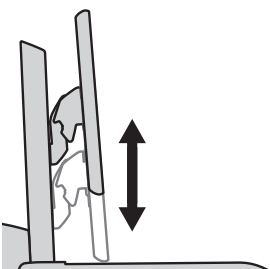
If the mounted weight is too light or this product does not stay down when lowered, then you'll need to decrease Lift Strength:

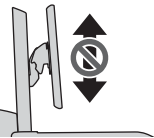
## b

### Lift - Up and down




Follow these instructions to tighten or loosen tension.


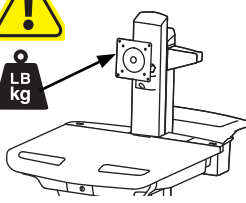





### To Stop Independent LCD Lift

For heavier Displays or when using a Tablet PC, you can keep the LCD Lift from moving out of position, by installing this screw into one of the three holes on the back of the riser depending on the desired height.

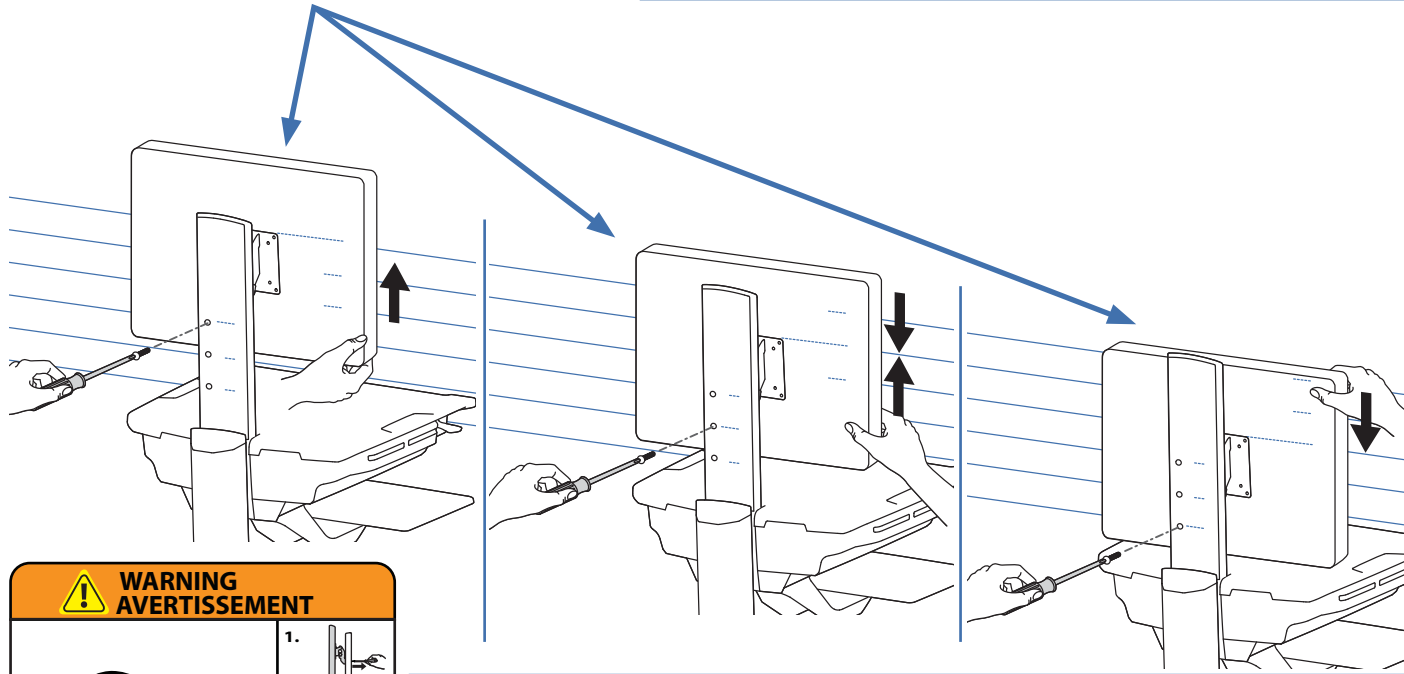
1x  M4 x 8mm

With Independent LCD Lift:  
6-14 lbs (2.7-6.4 kg)



Without Independent LCD Lift:  
20 lbs (9 kg)





**WARNING**  
**AVERTISSEMENT**



**IMPACT HAZARD!**  
**MOVING PARTS CAN CRUSH AND CUT.**  
Failure to heed this warning may result in serious personal injury or property damage!

Raise monitor to top of vertical adjustment BEFORE removing. DO NOT remove Stop Screw without monitor attached. Doing so will cause monitor pivot to shoot up rapidly and may cause personal injury.

**DANGER D'IMPACT !**  
**LES PARTIES EN MOUVEMENT PEUVENT ÉCRASER ET COUPER.**  
Il existe un risque de blessure corporelle ou d'endommagement matériel en cas de non respect de cet avertissement.

Élevez l'écran au plus haut de l'ajustement vertical AVANT de le retirer. NE retirez PAS la vis d'arrêt avant que l'écran soit fixé. Dans un tel cas, le pivot d'écran se relèverait rapidement et cela pourrait engendrer des blessures.

1. 
2. 
3. 

[www.ergotron.com](http://www.ergotron.com)  826-502

Guidance and Manufacturer's Declaration – Electromagnetic Emissions		
Ergotron's Medical Grade Power Strip is intended for use in the electromagnetic environment specified below. The customer or the user of the Medical Grade Power Strip should assure that it is used in such an environment.		
Emissions Test	Compliance	Electromagnetic environment – guidance
RF Emissions CISPR 11	Group 1	Ergotron's Medical Grade Power Strip does not use RF energy for its internal function. Therefore, its RF emissions are very low and unlikely to cause any interference in nearby electronic equipment.
RF Emissions CISPR 11	Class B	Ergotron's Medical Grade Power Strip is suitable for use in all establishments other than domestic and those directly connected to the public low-voltage power supply network that supplies buildings used for domestic purposes.
Harmonic Emissions IEC 61000-3-2	Class B	
Voltage fluctuations/ flicker emissions IEC 61000-3-3	Complies	


Guidance and Manufacturer's Declaration – Electromagnetic Immunity			
Ergotron's Medical Grade Power Strip is intended for use in the electromagnetic environment specified below. The customer or the user of the Medical Grade Power Strip should assure that it is used in such an environment.			
Immunity Test	IEC 60601 Test Level	Compliance Level	Electromagnetic environment - guidance
Electrostatic Discharge (ESD) IEC 61000-4-2	±6 kV contact ±8 kV air	Complies	Floors should be wood, concrete, or ceramic tile. If floors are covered with synthetic material, the relative humidity should be at least 30%
Electrical Fast Transient/Burst IEC 61000-4-3	±2 kV for power supply lines ±1 kV for input/output lines	Complies	Mains power quality should be that of a typical commercial or hospital environment.
Surge IEC 61000-4-5	±1 kV differential mode ±2 kV common mode	Complies	Mains power quality should be that of a typical commercial or hospital environment.
Voltage Dips, short interruptions, and voltage variations on power supply input lines IEC 61000-4-11	<5% $U_T$ (>95% dip in $U_T$ ) for 0.5 cycle 40% $U_T$ (60% dip in $U_T$ ) for 5 cycles 70% $U_T$ (30% dip in $U_T$ ) for 25 cycles <5% $U_T$ (>95% dip in $U_T$ ) for 5 seconds	Complies	Mains power quality should be that of a typical commercial or hospital environment.
Power Frequency (50/60 Hz) Magnetic Field IEC 61000-4-8	3 A/m	Complies	Power frequency magnetic fields should be at levels characteristic of a typical location in a typical commercial or hospital environment.
Note: $U_T$ is the AC mains voltage prior to application of the test level			


## Safety Alerts Associated with this Product

The following Warnings/Cautions appear in this reference guide or on the Power Strip. NOTE: Failure to adhere to these guidelines may result in equipment damage or personal injury.

### Cleaning and Maintenance

The following procedures are not guaranteed to control infection. The hospital infection control administrator or epidemiologist should be consulted regarding cleaning procedures and processes.

 To avoid risk of electric shock, do not expose electrical components to water, cleaning solutions or other potentially corrosive liquids or substances.

 Do not immerse Power Strip or Power Strip components in liquid or allow liquids to flow into the Power Strip. Wipe all cleaners off surface immediately using a damp cloth. Thoroughly dry surface after cleaning.

 Do not use flammable cleaners on Power Strip surfaces due to close proximity of electrical power and equipment.


All paints and plastic Power Strip components will withstand cleaning by most commonly used, diluted, non-abrasive solutions such as quaternary ammonia compounds, ammonia enzyme cleaners, bleach or alcohol solutions.

• Pen and permanent and dry erase markers can be removed with 91% isopropyl alcohol and a soft cloth.


• Iodine stains can be removed with commonly used cleaners and a soft cloth.


• Never use steel wool or other abrasive materials that will damage the surface finish.


It is recommended that any cleaning solution be tested on a small, inconspicuous area to ensure surface is not harmed.

 Adjustment, Service, Replacement - DO NOT attempt to adjust, service or replace any part of the Power Strip unless directed to do so through Ergotron-approved documentation (i.e. installation instructions). Only Ergotron, Inc. or an Ergotron-certified entity may adjust, service or replace Power Strip components. If any component on the Power Strip is missing or damaged, the Power Strip must not be used, contact Ergotron Customer Care immediately to request a replacement part.

 Cables - Keep cables neatly organized (the provided Strain Relief and Hook are designed for this purpose). Excess cables should be routed away from moving components with cable clips or ties. Review Cable Routing section of this guide, or contact Ergotron Customer Care for more information.

 Customer Equipment- Do not connect electrical equipment beyond rated ....


 Customer Equipment- Only cart-mounted electrical equipment should be connected to Power Strip.

 The polarized cord on this Power Strip is Hospital Grade Only. Grounding reliability can only be achieved when the equipment is connected to an equivalent receptacle marked "Hospital Only" or "Hospital Grade".

 The device is not suitable for use in the presence of a flammable anaesthetic mixture with air or with oxygen or nitrous oxide.

For service and warranty visit [www.ergotron.com](http://www.ergotron.com)

For local customer care phone numbers visit: <http://contact.ergotron.com>



© 2014 Ergotron, Inc.  
All rights reserved.

While Ergotron, Inc. makes every effort to provide accurate and complete information on the installation and use of its products, it will not be held liable for any editorial errors or omissions (including those made in the process of translation from English to another language), or for incidental, special or consequential damages of any nature resulting from furnishing this instruction and performance of equipment in connection with this instruction. Ergotron, Inc. reserves the right to make changes in the product design and/or product documentation without notification to its users. For the most current product information, or to know if this document is available in languages other than those herein, please contact Ergotron. No part of this publication may be reproduced, stored in a retrieval system, or transmitted in any form or by any means, electronic, mechanical, photocopying, recording or otherwise without the prior written consent of Ergotron, Inc., 1181 Trapp Road, Eagan, Minnesota, 55121, USA Patents Pending and Patented U.S. & Foreign. Ergotron is a registered trademark of Ergotron, Inc.

#### Americas Sales and Corporate Headquarters

St. Paul, MN USA  
(800) 888-8458  
+1-651-681-7600  
[www.ergotron.com](http://www.ergotron.com)  
[sales@ergotron.com](mailto:sales@ergotron.com)

#### EMEA Sales

Amersfoort, The Netherlands  
+31 33 45 45 600  
[www.ergotron.com](http://www.ergotron.com)  
[info.eu@ergotron.com](mailto:info.eu@ergotron.com)

#### APAC Sales

Tokyo, Japan  
[www.ergotron.com](http://www.ergotron.com)  
[apaccustomerservice@ergotron.com](mailto:apaccustomerservice@ergotron.com)

#### Worldwide OEM Sales

[www.ergotron.com](http://www.ergotron.com)  
[info.oem@ergotron.com](mailto:info.oem@ergotron.com)