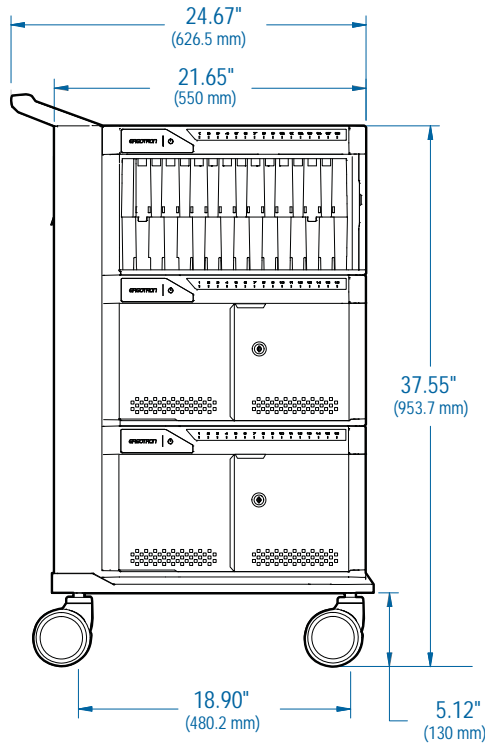


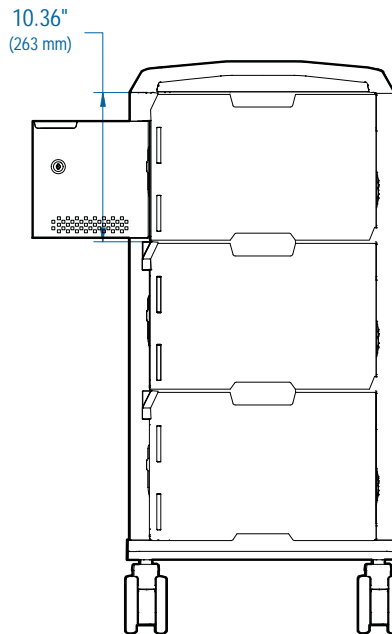
# Ergotron® Tablet Management Carts and Desktop Module

## Tablet Management Carts

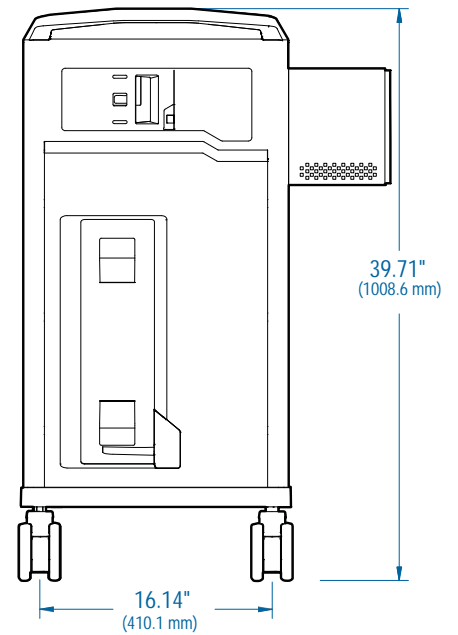
Front View



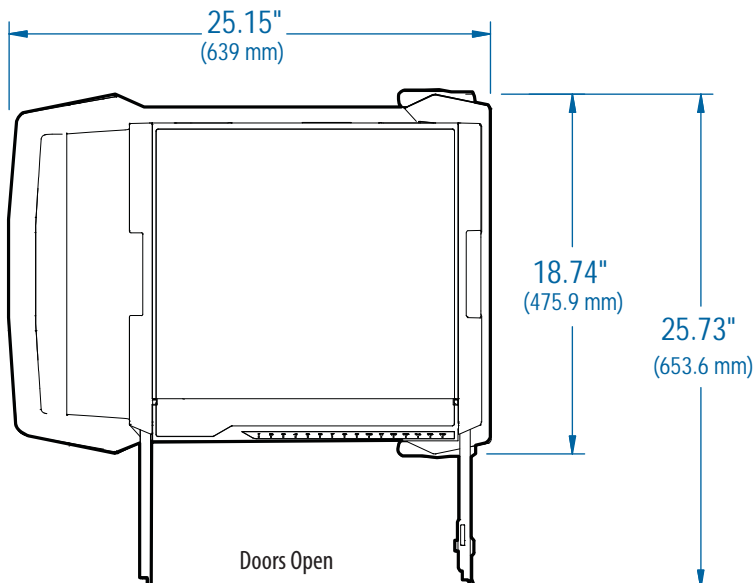
Right Side View



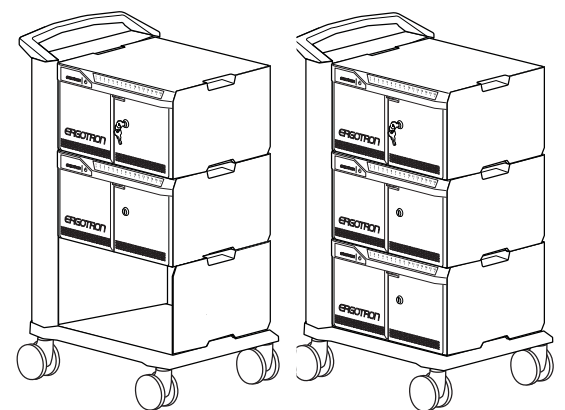
Left Side View



Top View



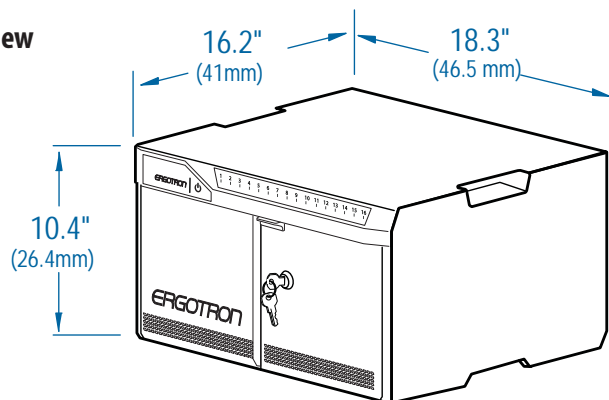
Tablet Cart with Two or Three Modules



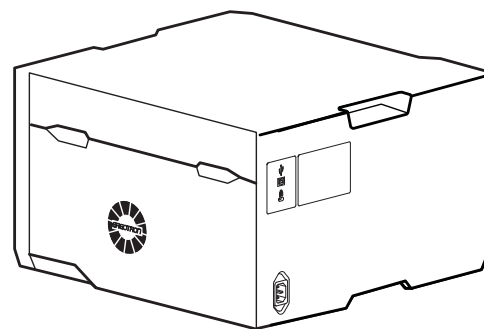
# Ergotron® Tablet Management Carts and Desktop Module

## Desktop Module

Front View



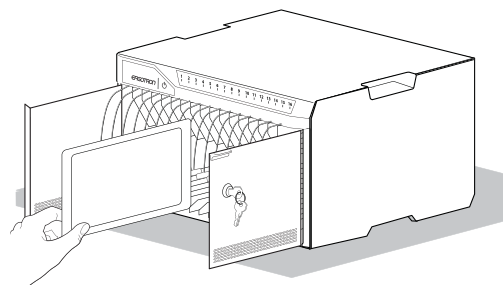
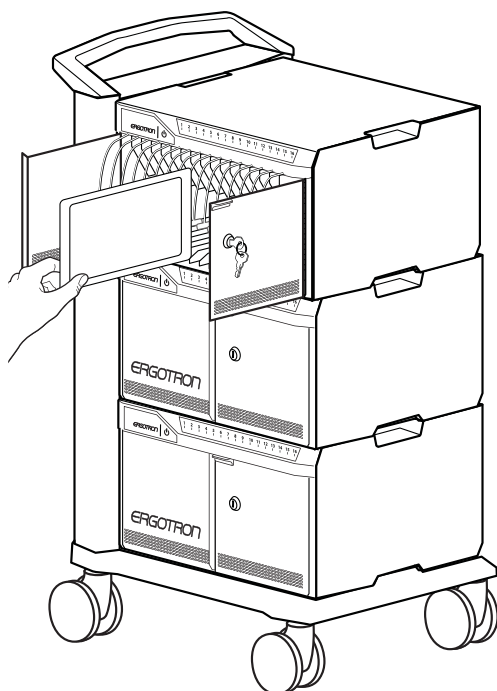
Rear View



### Individual Slot Size

- 7.9" H x 11.3" D x 0.85" W (20.0 x 28.8 x 2.2 cm)
- Individual tablet weight: up to 2.2 lb (1 kg)

NOTE: Tablet, power cord, and any cover or case must fit with these dimensions.



#### Americas Sales and Corporate Headquarters

St. Paul, MN USA  
(800) 888-8458  
+1-651-681-7600  
www.ergotron.com  
sales@ergotron.com

#### EMEA Sales

Amersfoort, The Netherlands  
+31 33 45 45 600  
www.ergotron.com  
info.eu@ergotron.com

#### APAC Sales

Tokyo, Japan  
www.ergotron.com  
apaccustomerservice@ergotron.com

#### Worldwide OEM Sales

www.ergotron.com  
info.oem@ergotron.com

