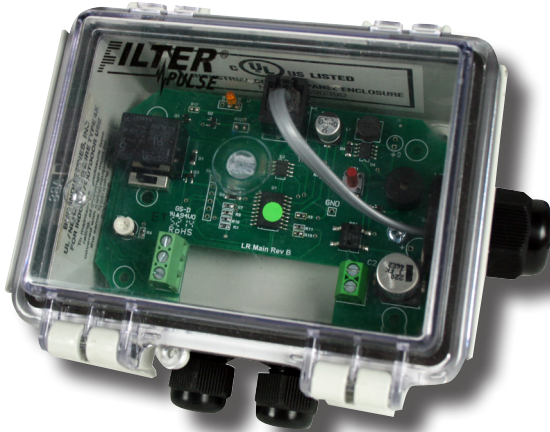


ILTER **PULSE**



24 V POWERED MODELS
NEMA 4X ENCLOSURE





INSTRUCTIONS FOR 24 VOLT POWERED UNITS

SET-UP

1. Remove front cover of enclosure and connect 24 VAC power to the 2 screw terminal block (See Internal View). A 3-screw terminal with N.O. relay is provided that will change state at an alarm occurrence. (See Internal View for Wiring). To mount enclosure, install the 4 mounting tabs with provided screws to back of the enclosure.
2. Install sensor bracket into filter holding tray (or filter retainer return air grill) located in return air duct. For optimal performance, position bracket so direction of airflow moves from short to tall side of bracket (See Sensor Bracket Diagram). Connect the sensor bracket cable to the sensor cable connection via the sensor cable conduit on the right of the enclosure. (See Internal View)
3. Insert a clean filter into the tray. Ensure the filter's cardboard frame does not block the line-of-site between the transmitter and receiver of the bracket. If path is blocked, trim the edges of the cardboard on the filter. (See Sensor Bracket Installation Diagram)
4. Press the Reset switch on enclosure. (See Internal View Diagram) Sensor will beep for 10 seconds while calibrating. If the calibration is successful, the beeping will cease and alarm is properly working. If unsuccessful, the beeping will repeat. If calibration failure, reposition filter. Also, review line-of-site between transmitter and receiver on the sensor bracket and ensure no cardboard blockage from filter. Restart process by pressing the Reset switch. After proper clean filter calibration, do not move filter or bracket to assure accurate performance over the operational life of the filter. Note: If calibration still does not succeed after ensuring proper alignment, the Three Position Switch may need to be adjusted. (See Three Position Switch section)

ALARM SENSITIVITY ADJUSTMENT

To accommodate user preferences, a sensitivity adjustment is provided. This dial, located internally on the board, varies the dirty filter alarm response level. Gently turn clockwise to extend time until an alarm, or counter clockwise for quicker alarm. (See Internal View). The higher the MERV rating of installed filter the further clockwise dial may need to be set. If an alarm activates sooner than desired, simply turn CW slightly to extend to a new desired alarm point.

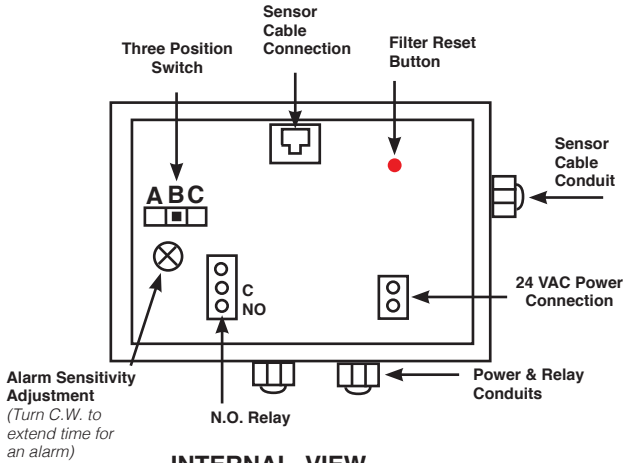
THREE POSITION SWITCH

To accommodate all densities and thicknesses of various brands of filters, adjustment of the Three Position Switch may be necessary. For low-end, minimally dense filters move switch to position A. For denser filters, position C may be necessary.

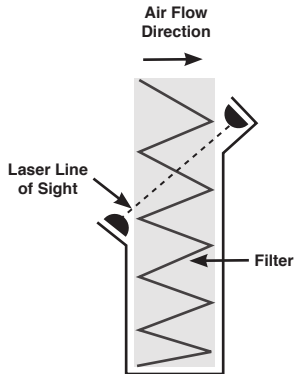
USAGE

10 Audible Beeps = Dirty Filter → Replace with Clean Filter

DIAGRAMS



INTERNAL VIEW



SENSOR BRACKET INSTALLATION





Sensor bracket installed in air handling unit filter tray.



Sensor bracket installed on 2 inch filter.



Sensor bracket installed on 4 inch filter.

ILTER
PULSE

