

1.2 Watt Solar Panel (SOLAR-1.2W)

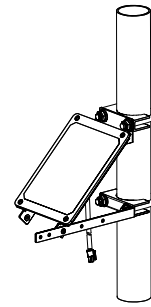
Items included:

- 1.2 Watt solar panel with assembly hardware (brackets, screws)
- U-Bolts, saddles, flanged nuts (for mounting solar panel to a 4.1 cm/1.63 in. diameter mast)

Tool required:

- Phillips-head screwdriver
- 1/2-inch wrench

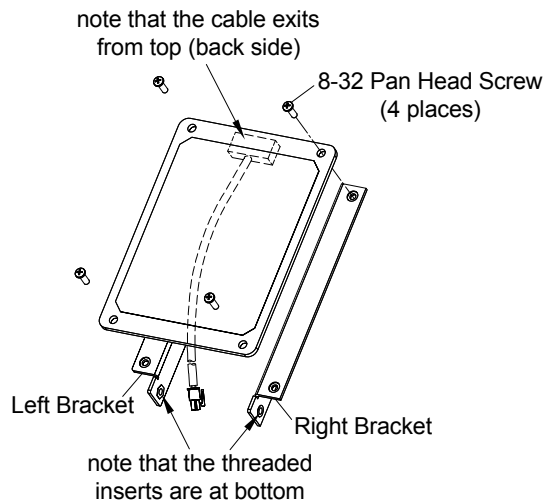
Important: The solar panel **must** be mounted where it will receive full sunlight or performance will be severely degraded.



Mounted Solar Panel

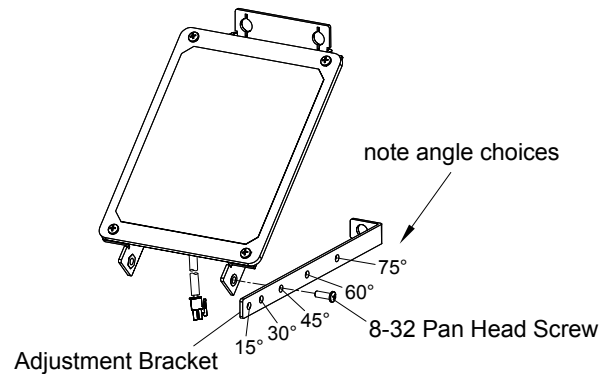
1. Install Left and Right Brackets.

Install the left and right brackets onto the solar panel using the four of the five supplied 8-32 pan head screws. Note orientation of the threaded inserts in the brackets and of the solar panel cable.



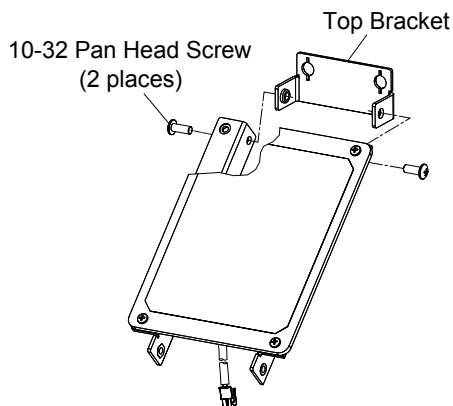
3. Install Adjustment Bracket.

Install the adjustment bracket onto the right bracket using the remaining 8-32 pan head screw. Note the five angle choices (15°, 30°, 45°, 60°, and 75°) shown. Choose the proper angle for the location where the solar panel is being deployed and install the screw in the correct hole.



2. Install Top Bracket.

Install the top bracket between the left and right brackets using the two supplied 10-32 pan head screws.



4. Mount to Mast.

Mount the assembled solar panel to 4.1 cm (1.63 inch) diameter mast (mast not included) using the two supplied U-bolts and saddles, and the four flanged nuts to secure the top bracket and adjustment bracket to the mast.

