



American Hakko Products, Inc.

# PRODUCT BULLETIN

**Bulletin No:** PB466

**Issue Date:** 7-11-2023

**Effective Date:** 8-1-2023

**Description/Title:**

New HAKKO FX-9705 Rework Tweezers

**Part No:**

FX9705-81, FX9705-011, T51-C05, T51-I05, T51-L1, T51-L2, T51-L3, T51-L6, T51-L8, T51-L10, T51-L13, T51-L16, T51-LA3, T51-LA6, T51-LA8, T51-LA10



**Comments:**

The new HAKKO FX-9705 Rework Tweezers are designed for use with the new HAKKO FX-972 Dual-Port Soldering Station. The FX-9705 features a lightweight, ergonomic design and incorporates tip adjustment mechanisms that give the user the ability to adjust the vertical alignment and length of the tips, features a slimmer cord assembly to reduce the weight felt by the user, a built-in sensor to detect when the tweezers are in use or should be put to sleep, and newly designed T51 Series tips with higher output power and optimized geometries to achieve peak performance of the HAKKO Composite Ceramic™ heater at its heart. The HAKKO FH-220 Holder eliminates the need to use tools or hot pads when changing tips, incorporates a built-in tip stand and alignment jig, and has a triple-function tip cleaning area with a cleaning wire, sponge, and tip wipe.

**Specification:**

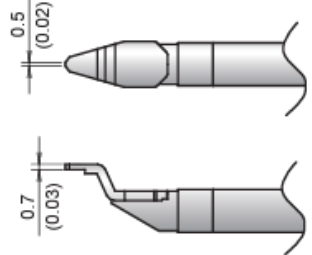
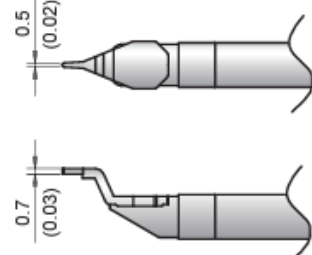
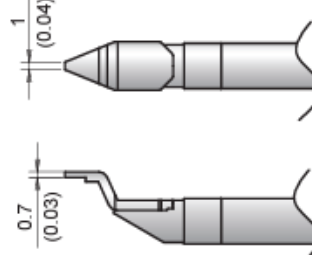
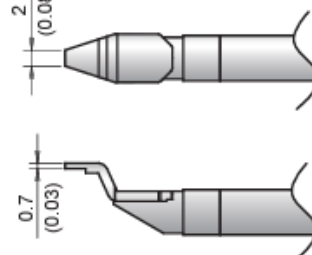
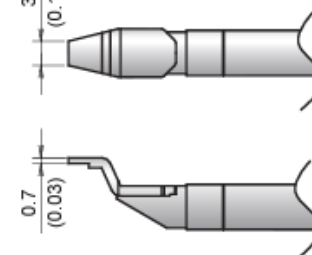
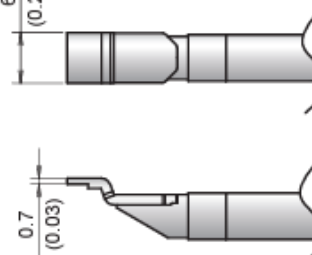
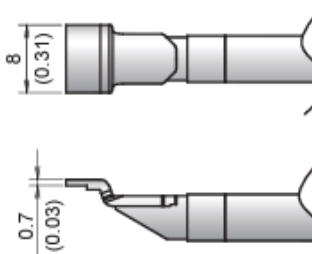
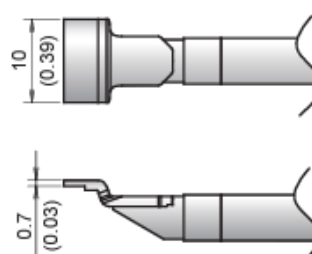
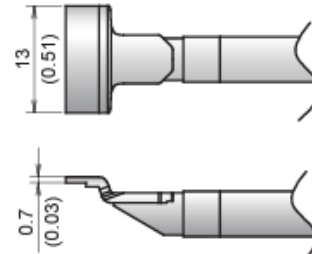
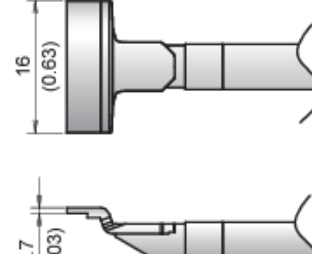
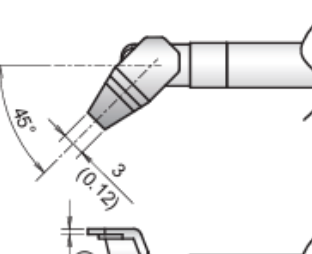
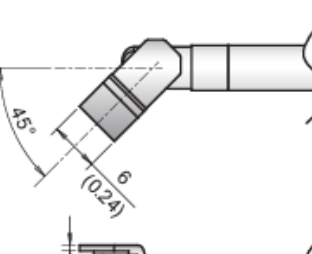
<b>Model</b>	FX-9705	<b>Contents</b>	
<b>Part No.</b>	FX9705-011		
<b>Power Consumption</b>	190 W / 24 VAC		
<b>Temperature Range</b>	50°C – 450°C (120°F – 850°F)		
<b>Tip to Ground Resistance</b>	< 2 Ω		
<b>Tip to Ground Potential</b>	< 2 mV		
<b>Heater</b>	HAKKO Composite Ceramic™		
<b>Tips<sup>1</sup></b>	T51 Series		
<b>Cord Length</b>	1.2 m (3.9 ft)		
<b>Total Length<sup>2</sup></b>	146 mm (5.7 in)		
<b>Weight<sup>2</sup></b>	55 g (1.9 oz)		
		<b>Part No.</b>	<b>Description</b>
		<b>FX9705-81</b>	FX-9705 Rework Tweezers only
		<b>FH220-013</b>	FH-220 Holder Includes: • A1561 Tip Cleaning Wire • A5038 Cleaning Sponge

<sup>1</sup> – Tips not included

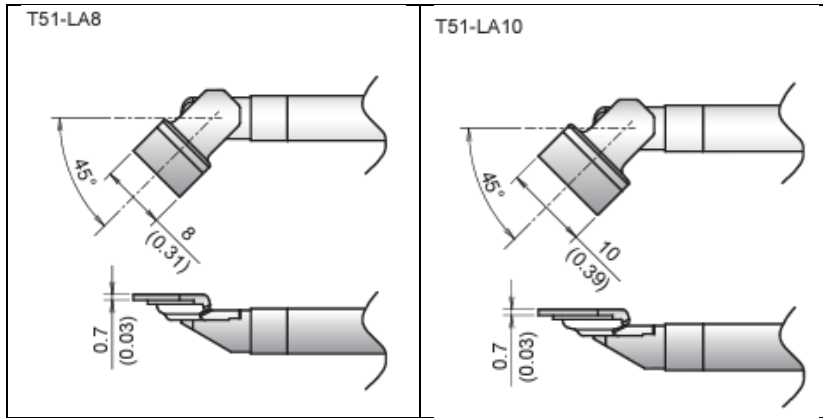
<sup>2</sup> – As measured with T51-L16 Tip installed

See pages 2 and 3 for T51 Series Tips

**T51 Series Tips**

<p>T51-C05</p> 	<p>T51-I05</p> 	<p>T51-L1</p> 
<p>T51-L2</p> 	<p>T51-L3</p> 	<p>T51-L6</p> 
<p>T51-L8</p> 	<p>T51-L10</p> 	<p>T51-L13</p> 
<p>T51-L16</p> 	<p>T51-LA3</p> 	<p>T51-LA6</p> 

**T51 Series Tips (continued)**



For more information, please visit [www.HakkoUSA.com](http://www.HakkoUSA.com) or call 1-800-88-HAKKO (42556).