

# UNIVERSAL DISCONNECT KIT

BUL87125  
REV. A

ASSEMBLY INSTRUCTIONS FOR  
AKU - UNIVERSAL DISCONNECT ADAPTER KIT  
FOR ALL STYLES OF OPERATOR HANDLE

## PARTS LIST

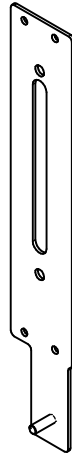
SMALL HANDLE  
PLATE



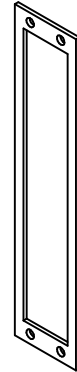
LARGE HANDLE  
PLATE




LARGE HANDLE  
FLAT PLATE





UNIVERSAL  
GASKET





SELECT BASED ON HANDLE AND  
SWITCH BRACKET

4 x  1/4-20 X 1/2 SCREW

4 x  10-32 KEEP NUT (3/8 SOCKET)

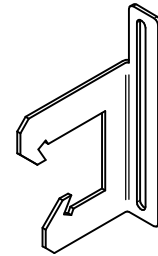
2 x  3/8 FLAT WASHER

1 x  0.255 I.D. SLIDER BUSHING

1 x  1/4-20 LOCK NUT (7/16 SOCKET)



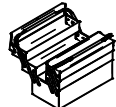



INTERLOCK  
BRACKET



DOOR CATCH BRACKET



DISCONNECT  
BRACKET

TOOL BOX	3/8 or 7/16 Socket Wrench	1/8 Allen Key	1/4 Slot Head Screw Driver
			

 **HAMMOND  
MANUFACTURING™**  
[www.hammondmfg.com](http://www.hammondmfg.com)

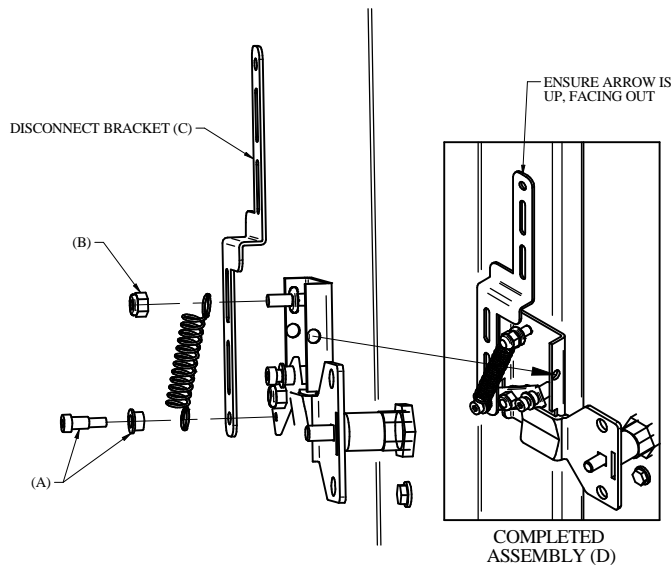
# UNIVERSAL DISCONNECT KIT

BUL87125  
REV. A

## ASSEMBLY INSTRUCTIONS FOR AKU - UNIVERSAL DISCONNECT ADAPTER KIT FOR ALL STYLES OF OPERATOR HANDLE

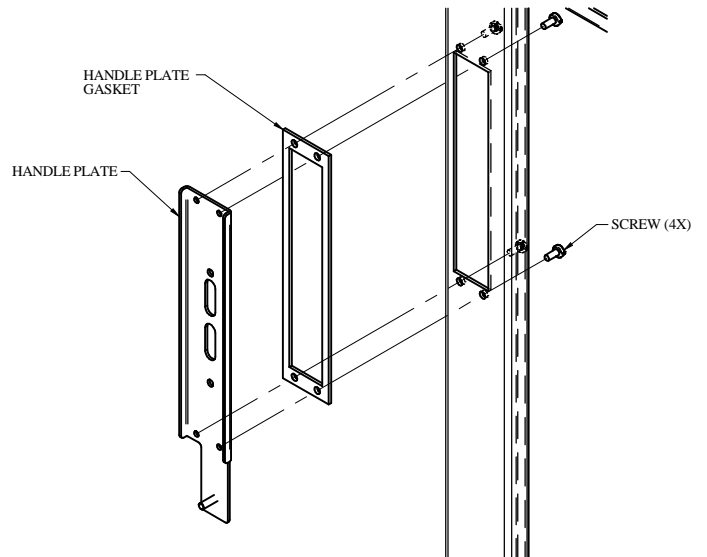
### Step 1:

- Remove the lower pivot arm shoulder screw and bushing (A) and set aside spring. If needed, remove the lock nut (B) to enable the spring to move freely.
- Add the disconnect bracket (C) to the assembly and re-assemble the spring, bushing and shoulder screw to their original positions (D).



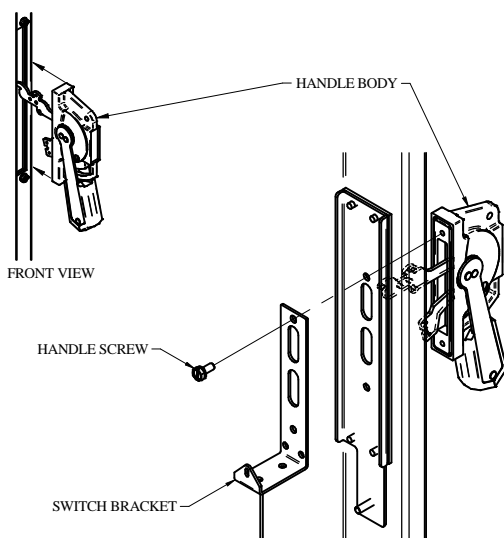
### STEP 2:

- Assemble the gasket and appropriate handle plate by adhering the gasket to the plate.
- With the supplied screws, mount through the enclosure flange as shown.



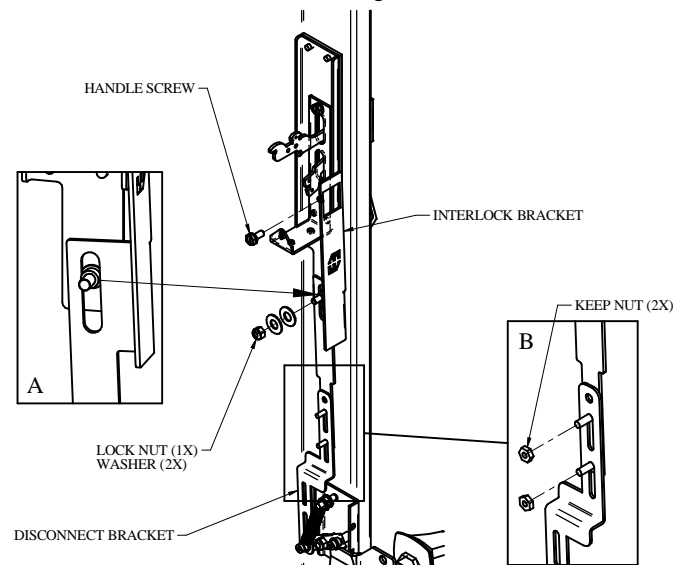
### STEP 3:

- Mount the handle body and supplied switch bracket (if applicable) by passing the handle arms through the plate and bracket and threading the upper screw into the handle body.
- Do not tighten the screw, this will allow for adjustment in later steps.



### STEP 4:

- Place the slider bushing onto the handle plate stud (A)
- Slide the interlock bracket behind the disconnect bracket and secure with keep nuts (B), but do not tighten.
- Slide the interlock bracket onto the bushing (A) and secure with washers and lock nut, but do not tighten.
- Insert the lower handle screw, but do not tighten.



TOOL BOX	3/8 or 7/16 Socket Wrench	1/8 Allen Key	1/4 Slot Head Screw Driver

**HAMMOND  
MANUFACTURING™**  
www.hammondmfg.com

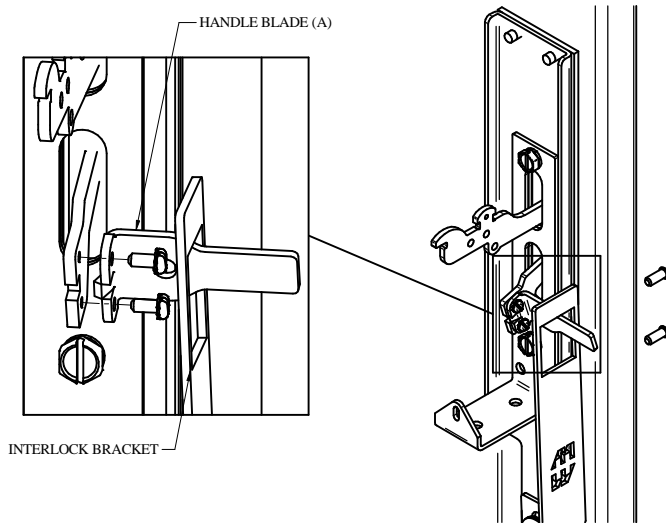
# UNIVERSAL DISCONNECT KIT

BUL87125  
REV. A

## ASSEMBLY INSTRUCTIONS FOR AKU - UNIVERSAL DISCONNECT ADAPTER KIT FOR ALL STYLES OF OPERATOR HANDLE

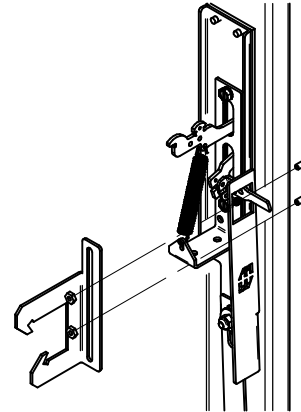
### STEP 5:

-Slide the handle blade (A) through the square hole in the interlock bracket and secure with the screws provided by the handle manufacturer as shown.



### STEP 6:

-Add the door catch bracket to the inside of the door and secure with lock nuts, but do not tighten.



### STEP 7:

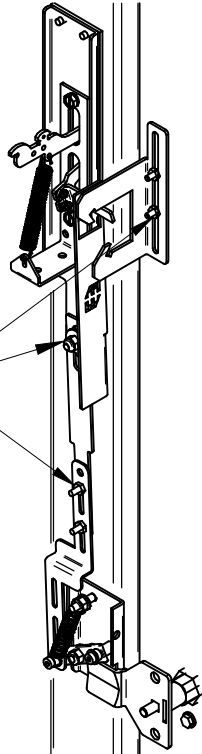
-If provided with handle kit, install the retainer spring between the appropriate handle arm and switch bracket. This may not be required based on handle type and manufacturer.

### STEP 8:

-Adjust the components in the assembly at the points indicated to achieve correct working conditions for the handle and switch.

-Tighten down all screws and nuts to finish the installation.

ADJUSTMENT POINTS



TOOL BOX	3/8 or 7/16 Socket Wrench	1/8 Allen Key	1/4 Slot Head Screw Driver

 **HAMMOND  
MANUFACTURING™**  
[www.hammondmfg.com](http://www.hammondmfg.com)