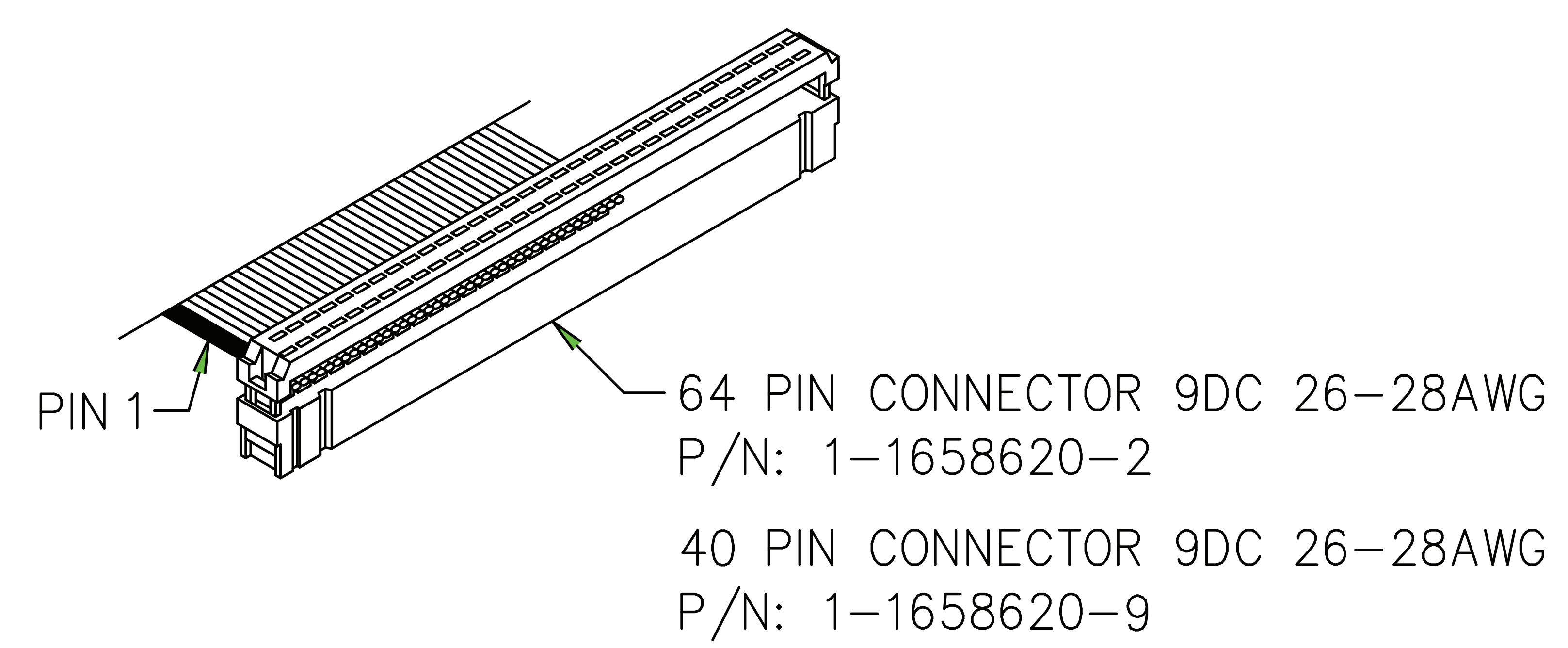
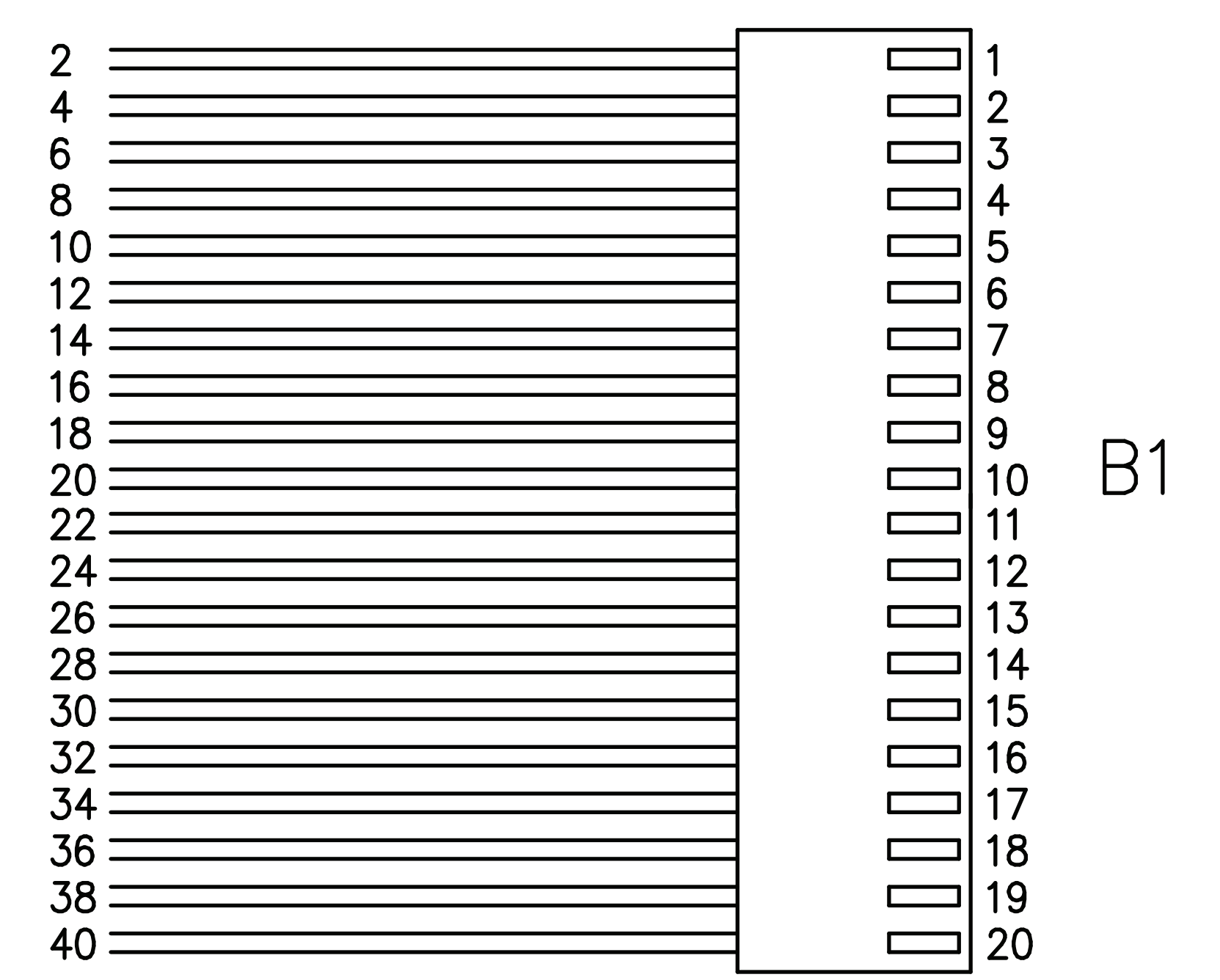
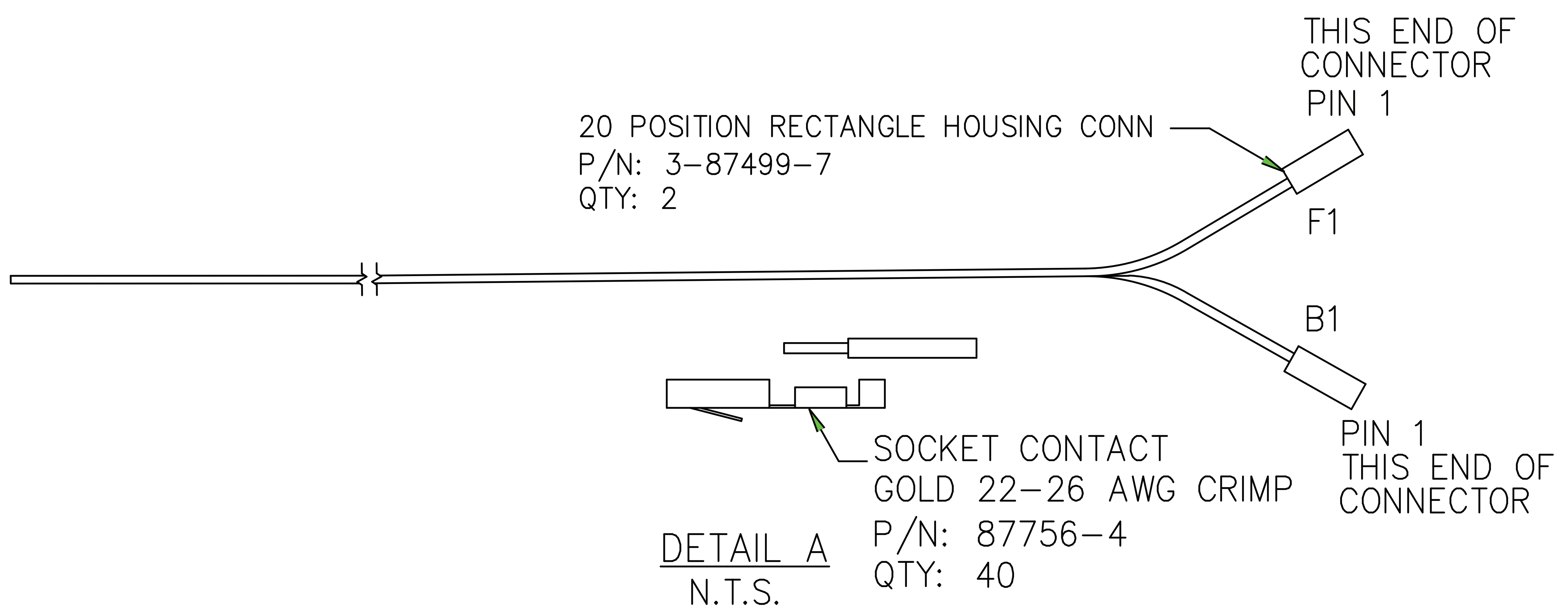
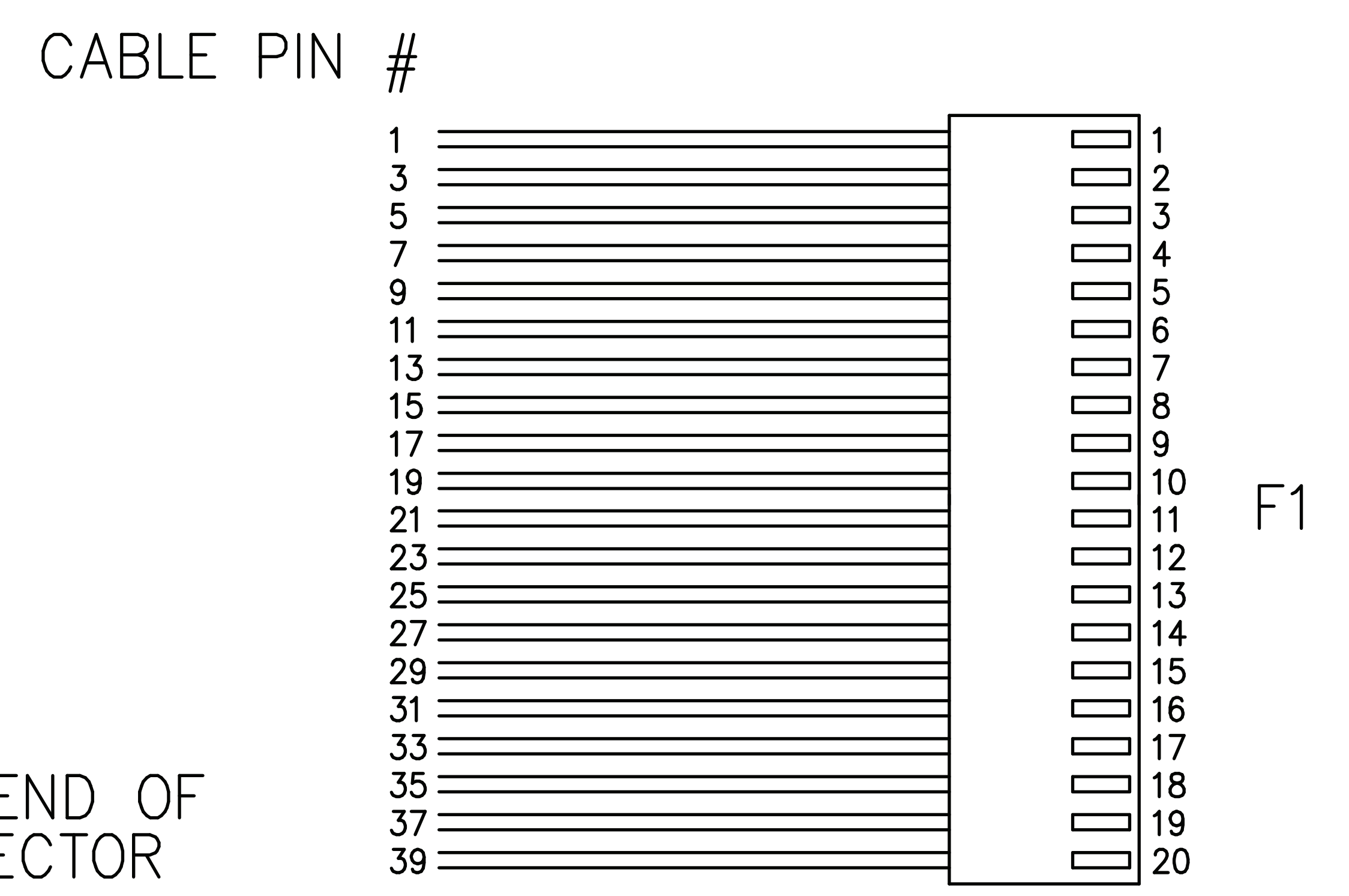


PIN 1 INDICATOR STRIPE



STRAIN RELIEF 64 POS SOCKET CONN  
P/N: 1-499252-3

STRAIN RELIEF 40 POS SOCKET CONN  
P/N: 1-499252-1

