

JBC

www.jbctools.com

INSTRUCTION MANUAL



FAE070

Flexible Arm with Clamp \varnothing 50 mm

This manual corresponds to the following reference:

FAE070

Packing List

The following items are included:



*Round Metal Nozzle
for FAE*



Flexible Arm 1 unit

already assembled:

*Ref. **FAE083** Round Metal Nozzle for FAE*

Clamp 2 units



Screws* 2 units
DIN-965 M4x20 - black

Washers* 2 units
DIN-9021 ø4.3 mm - black

Manual 1 unit
Ref. 0019184

** The supplied screws and washers can be used, as an alternative, to fix the arm to the workbench.*

Assembly Example

FAE 070

Flexible Arm with
Clamp - \varnothing 50 mm
Take in mind the
installation dimensions
(see page 5 below)

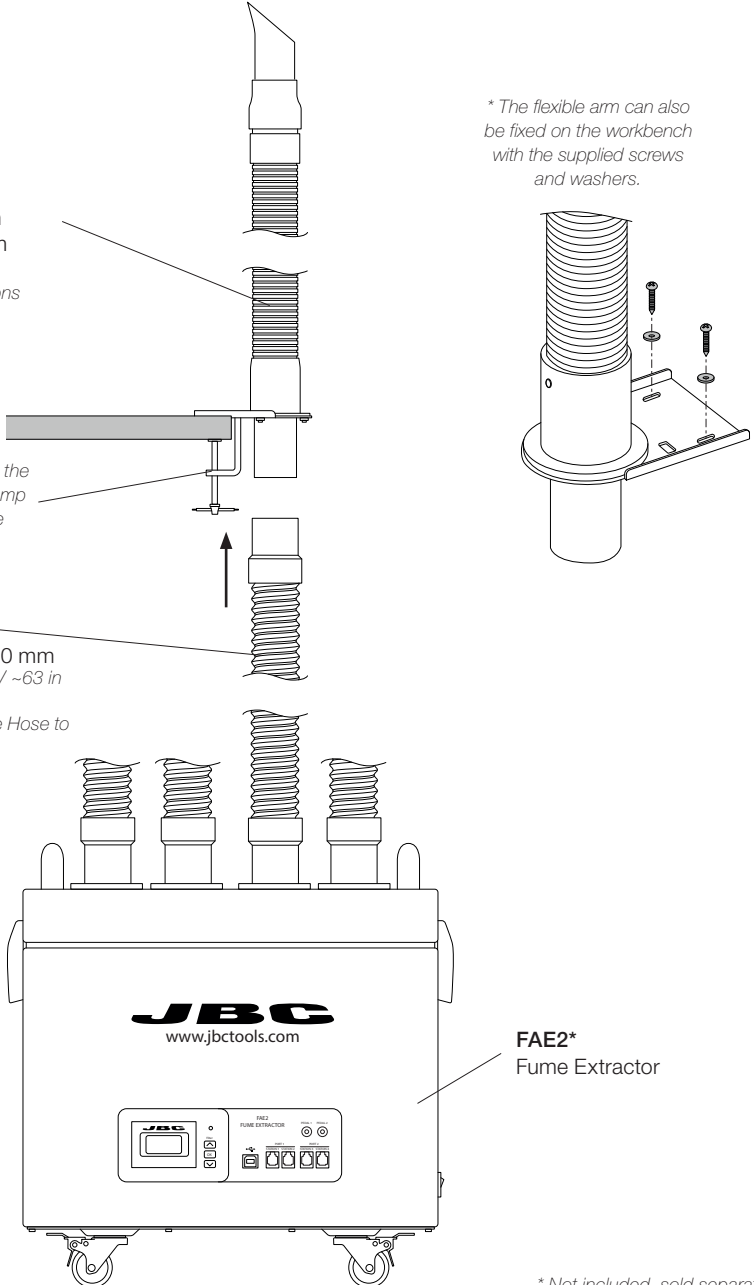
Clamp for mounting the
flexible arm. The clamp
is suitable for a table
thickness of approx.
60 mm or less.

FAE010*

Flexible Hose \varnothing 50 mm
Total length: ~1.6 m / ~63 in

Connect the Flexible Hose to
Flexible Arm

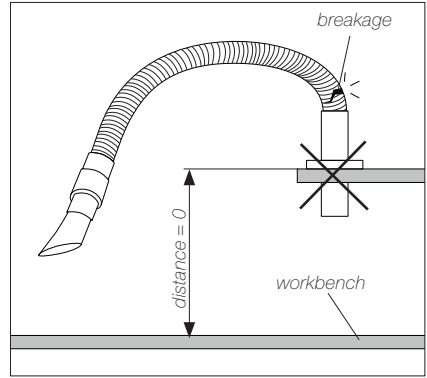
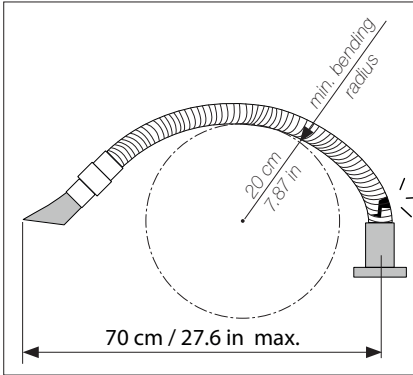
* The flexible arm can also
be fixed on the workbench
with the supplied screws
and washers.



FAE2*
Fume Extractor

* Not included, sold separately.

Usage Guidelines



To avoid breaking the arm, do not extend the arm more than 70 cm / 27.6 inches from the center of its base and do not go below the minimum bend radius of 20 cm / 7.87 inches.

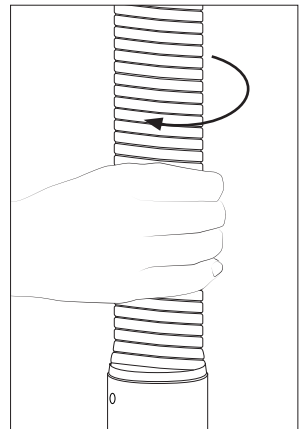
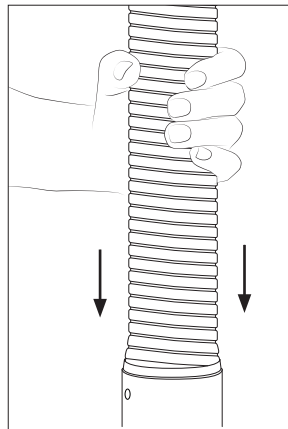
Do not install the flexible arm on shelves or higher levels than the work bench. Forced bending radii can cause the arm to break.

Note: In case of a breakage, the windings can be plugged back into each other. To do this, align the windings with one another and push them back together with strength.

When the flexible arm loses firmness, it must be recompressed.

For a greater compression, turn it slightly clockwise.

Once the arm is compressed, adapt its position again.



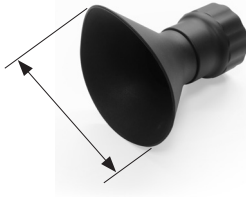
Accessories

The Supplied nozzle can be replaced by one of the following nozzles. Choose the one that best suits your needs.



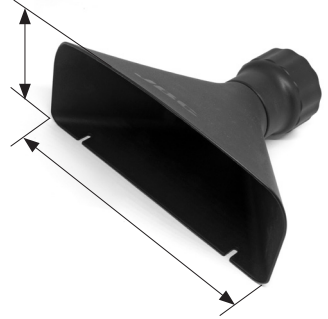
FAE080

Rectangular Nozzle for FAE
aprox. 170 x 90 mm /
6.69 x 3.54 in



FAE081

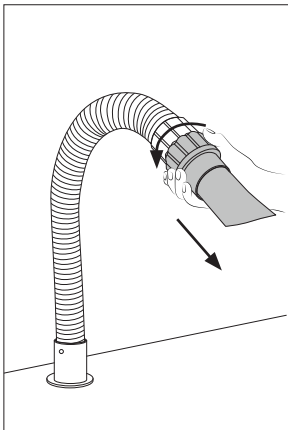
Round Nozzle for FAE
aprox \varnothing 120 mm /
 \varnothing 4.72 in



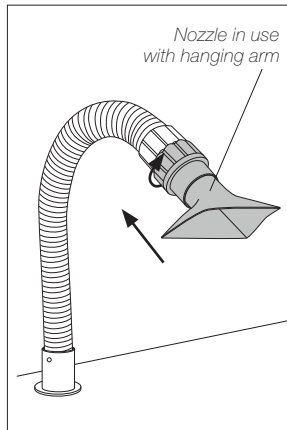
FAE082

Large Rectangular Nozzle for FAE
aprox. 227 x 107 mm /
8.94 x 4.21 in

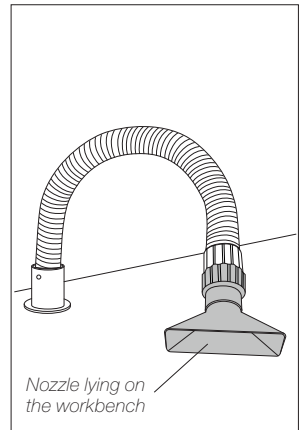
Nozzle Replacement



The bayonet system makes it easy to change the nozzle. To do this, hold the tube with one hand and with the other turn the nozzle counter-clockwise and pull it out to remove the nozzle.

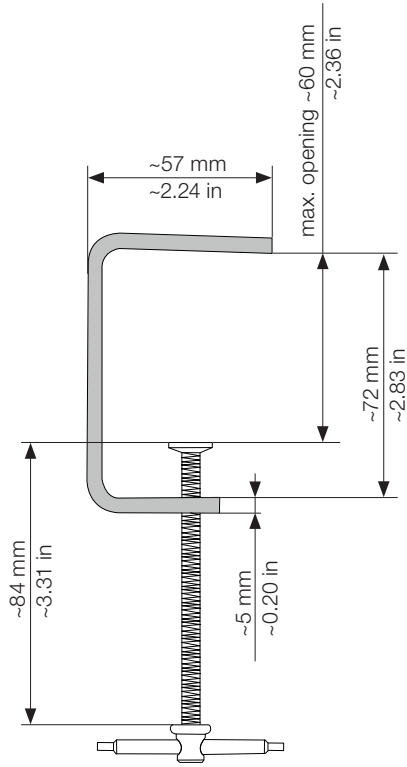


To install a new nozzle, turn the nozzle bayonet clockwise to lock it in place.



The nozzles are designed in such a way that they can be used with a hanging arm or be lying on the workbench.

Clamp Dimensions



Specifications

F AE070

Flexible Arm with Clamp ø50 mm

Ref. FAE070

- | | |
|---|--|
| - Net Weight: | 2.2 kg / 4.89 lb |
| - Inner Tube Diameter: | ø50 mm / 1.97 in |
| - Fixing Clamp: | For a table thickness of approx. 60 mm or less |
| - Total Package Dimensions / Weight:
(L x W x H) | 1050 x 170 x 120 mm / 3.0 kg
41.34 x 6.69 x 4.72 in / 6.61 lb |

Complies with CE standards.
ESD Safe.

JBC

Warranty

JBC's 2 year warranty covers this equipment against all manufacturing defects, including the replacement of defective parts and labour.

Warranty does not cover product wear or misuse.

In order for the warranty to be valid, equipment must be returned, postage paid, to the dealer where it was purchased.



This product should not be thrown in the garbage.

In accordance with the European directive 2012/19/EU, electronic equipment at the end of its life must be collected and returned to an authorized recycling facility.



www.jbctools.com