

# Keysight Technologies GPIB, USB and Instrument Control Products

Selection Guide



Link up easily to GPIB, USB and RS-232 instruments with Keysight's instruments control hardware products

## Selection Guide

Use the color-coded selection guide below to match any instrument perfectly to the recommended instrument control product.

		For control via instrument - USB interface							
		For control via instrument - RS-232 interface							
		For control via instrument GPIB interface							
		GPIB to PC via PCI/PCIe®				GPIB to PC via USB	GPIB to PC via LAN	RS-232 to PC via LAN	USB to PC via LAN
Instrument	Model	82350B	82350C	82351A	82351B	82357B	E5810B	E5810B	E5810B
Digital Multimeters (DMM)	34401A				•			•	
	34410A, 34411A				•				•
	L4411A				•				•
	34420A				•			•	
	34450A				•				•
	3458A				•				
	U2741A								•
Oscilloscopes	InfiniiVision 2000 X-Series, 3000 X-Series, 4000 X-Series				•				•
	InfiniiVision 6000 Series				•				•
	InfiniiVision 7000B Series								•
	Infiniium 9000 Series							•	•
	Infiniium 9000 H-Series								•
	Infiniium 90000A Series, 90000 X-Series, 90000 Q-Series				•				•
	86100D				•			•	•
	U270xA								•
Power supply	E3600 Series, E3640 Series				•			•	
	6610 Series, 6630 Series				•			•	
	66311B, 66332A				•			•	
	N5700, N6700, N8700 Series, B296xA				•				•
	6620 Series, 6640 Series, 6650 Series, 6670 Series, 6680 Series, 6690 Series, 6030 Series, 66000 Series				•				
Function/Arbitrary Generators	33500B Series, 3352xA, 33210A, 33220A				•				•
	81180B, 81160A				•				•
	33250A				•			•	
	U2761A								•
Frequency Counters	53200 Series				•				•
	5313xA, 53181A				•				

## Selection Guide, continue

Use the color-coded selection guide below to match any instrument perfectly to the recommended instrument control product.

		For control via instrument - USB interface							
		For control via instrument - RS-232 interface						For control via instrument - USB interface	
		For control via instrument GPIB interface				For control via instrument - RS-232 interface		For control via instrument - USB interface	
Instrument	Model	GPIB to PC via PCI/PCIe®				GPIB to PC via USB	GPIB to PC via LAN	RS-232 to PC via LAN	USB to PC via LAN
		82350B	82350C	82351A	82351B	82357B	E5810B	E5810B	E5810B
Frequency Counters	53140 Series, 53150 Series				•			•	
Power Meters	EPM Series, EPM-P Series				•			•	
	N191xA P-Series				•				•
	N432A				•				•
	8990B								•
Power Sensors	U2000 Series, U2020 X-Series, U8480 Series								•
Spectrum Analyzers (Signal Analyzers)	N9030A - PXA				•				•
	N9020A - MXA				•				•
	N9010A - EXA				•				•
	N9000A - CXA				•				•
	E444xA - PSA Series				•				•
	E44xxB - ESA E-Series, ESA L-Series				•			•	
	N9320B, N9322C				•				•
Network Analyzers	PNA Series, PNA-L Series, PNA-X Series				•				•
	ENA Series				•				•
	E5061B				•				
Signal Generators	N518xB MXG X-Series				•				•
	N517xB EXG X-Series				•				•
	N518xA MXG Series				•				•
	E44x8C ESG, E82x7D PSG, E8863D PSG				•				
Data Acquisition/Switch	34972A								•
	34970A, 3499 Series				•			•	
	34980A				•				•
	U2300A Series, U2500A Series, U2600A Series								•

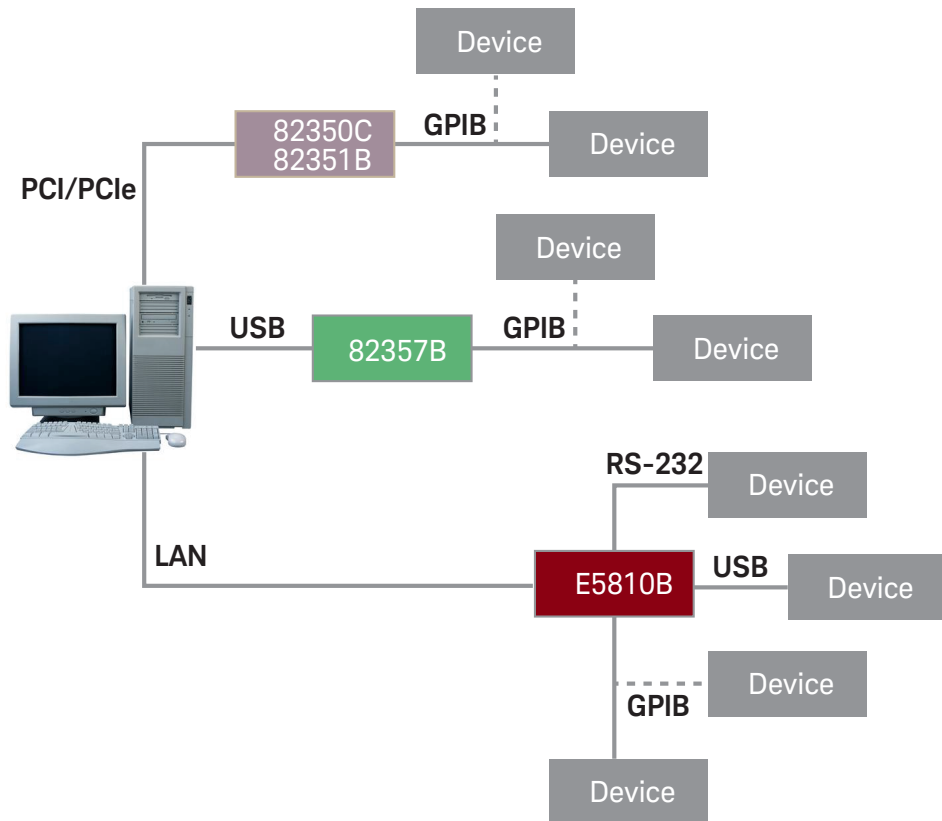
## Selection Guide, continue

Select the right connectivity for your need

	Model	Description	Recommended Use
GPIB Boards	82350B	High Performance PCI-GPIB Interface Card	<ul style="list-style-type: none"> <li>– Maximum GPIB throughput for all configurations</li> <li>– Adding GPIB connection for PCI-based PCs or workstations</li> </ul>
	82350C	High Performance PCI-GPIB Interface Card	<ul style="list-style-type: none"> <li>– Maximum GPIB throughput for all configurations</li> <li>– Standard and low-profile brackets allow flexible connection</li> </ul>
	82351A	High Performance PCIe-GPIB Interface Card	<ul style="list-style-type: none"> <li>– Bandwidth-intensive test applications</li> <li>– Adding GPIB connection for PCIe-based PCs or workstations</li> </ul>
	82351B	High Performance PCIe/GPIB card Interface Card	<ul style="list-style-type: none"> <li>– Bandwidth-intensive test applications</li> <li>– Standard and low-profile brackets allow flexible connection</li> </ul>
USB Converters	82357B	USB/GPIB Interface	<ul style="list-style-type: none"> <li>– Easiest GPIB connectivity</li> <li>– Notebook computer GPIB connections</li> </ul>
LAN Converters	E5810B	LAN/GPIB/USB Gateway	<ul style="list-style-type: none"> <li>– One-box connectivity – remote GPIB, RS-232 and USB connections</li> <li>– Sharing of instruments in a distributed system</li> </ul>
Cables and Adapter	10833x	GPIB Cables	<ul style="list-style-type: none"> <li>– 10833A – 1 m</li> <li>– 10833B – 2 m</li> <li>– 10833C – 4 m</li> <li>– 10833D – 0.5 m</li> <li>– 10833F – 6 m</li> <li>– 10833G – 8 m</li> </ul>
	10834A	GPIB-to-GPIB Adapter	<ul style="list-style-type: none"> <li>– Extends the first cable 2.3 cm away from the rear panel to provide clearance for other connectors, switches, and cables.</li> </ul>

### System Topology

Keysight instrument control products help connect your instruments to PC easily, reliably and affordably. From legendary GPIB cables to the one-box connectivity solution, see how each provides seamless integration of your instruments no matter where they are placed in your system.



**myKeysight**

**myKeysight**

[www.keysight.com/find/mykeysight](http://www.keysight.com/find/mykeysight)

A personalized view into the information most relevant to you.



[www.axistandard.org](http://www.axistandard.org)

AdvancedTCA® Extensions for Instrumentation and Test (AXIe) is an open standard that extends the AdvancedTCA for general purpose and semiconductor test. Keysight is a founding member of the AXIe consortium. ATCA®, AdvancedTCA®, and the ATCA logo are registered US trademarks of the PCI Industrial Computer Manufacturers Group.



[www.lxistandard.org](http://www.lxistandard.org)

LAN eXtensions for Instruments puts the power of Ethernet and the Web inside your test systems. Keysight is a founding member of the LXI consortium.



[www.pxisa.org](http://www.pxisa.org)

PCI eXtensions for Instrumentation (PXI) modular instrumentation delivers a rugged, PC-based high-performance measurement and automation system.



**Keysight Assurance Plans**

[www.keysight.com/find/AssurancePlans](http://www.keysight.com/find/AssurancePlans)

Up to five years of protection and no budgetary surprises to ensure your instruments are operating to specification so you can rely on accurate measurements.

[www.keysight.com/go/quality](http://www.keysight.com/go/quality)

Keysight Technologies, Inc.  
DEKRA Certified ISO 9001:2008  
Quality Management System



**Keysight Channel Partners**

[www.keysight.com/find/channelpartners](http://www.keysight.com/find/channelpartners)

Get the best of both worlds: Keysight's measurement expertise and product breadth, combined with channel partner convenience.

PCle and PCI Express are US registered trademarks and/or service marks of PCI-SIG.

[www.keysight.com/find/GPIB](http://www.keysight.com/find/GPIB)

For more information on Keysight Technologies' products, applications or services, please contact your local Keysight office. The complete list is available at: [www.keysight.com/find/contactus](http://www.keysight.com/find/contactus)

**Americas**

Canada	(877) 894 4414
Brazil	55 11 3351 7010
Mexico	001 800 254 2440
United States	(800) 829 4444

**Asia Pacific**

Australia	1 800 629 485
China	800 810 0189
Hong Kong	800 938 693
India	1 800 112 929
Japan	0120 (421) 345
Korea	080 769 0800
Malaysia	1 800 888 848
Singapore	1 800 375 8100
Taiwan	0800 047 866
Other AP Countries	(65) 6375 8100

**Europe & Middle East**

Austria	0800 001122
Belgium	0800 58580
Finland	0800 523252
France	0805 980333
Germany	0800 6270999
Ireland	1800 832700
Israel	1 809 343051
Italy	800 599100
Luxembourg	+32 800 58580
Netherlands	0800 0233200
Russia	8800 5009286
Spain	800 000154
Sweden	0200 882255
Switzerland	0800 805353
	Opt. 1 (DE)
	Opt. 2 (FR)
	Opt. 3 (IT)
United Kingdom	0800 0260637

For other unlisted countries:  
[www.keysight.com/find/contactus](http://www.keysight.com/find/contactus)  
(BP-09-23-14)

