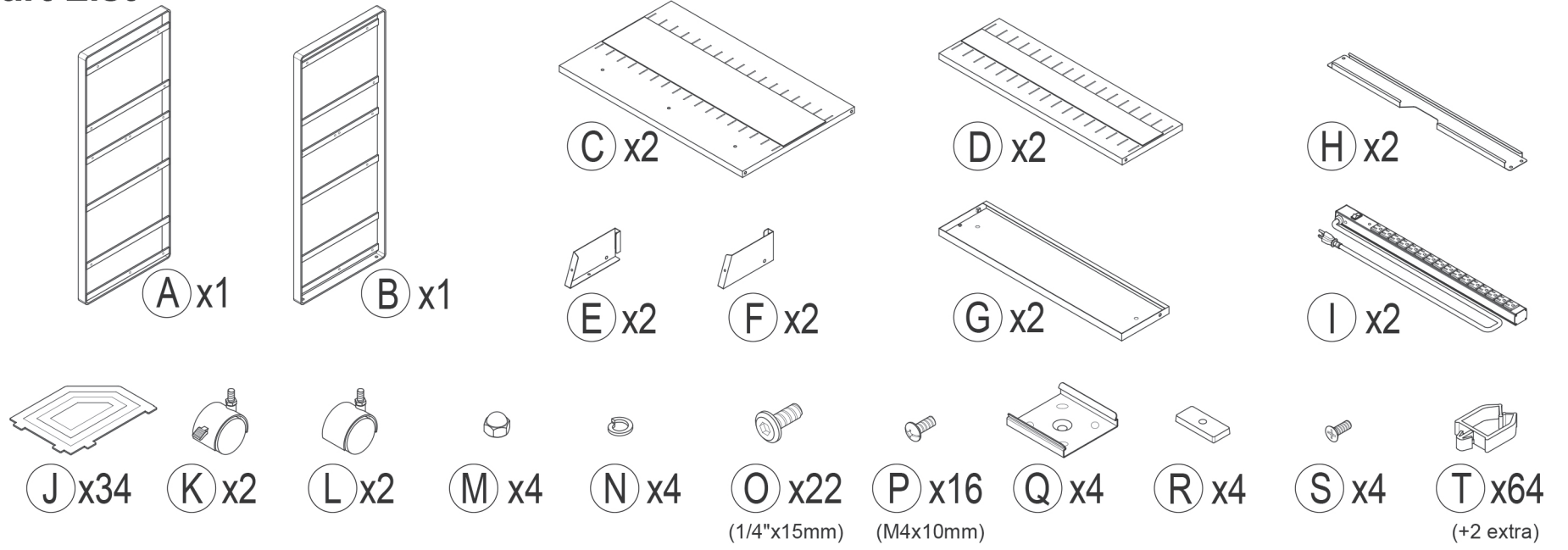


# Part List



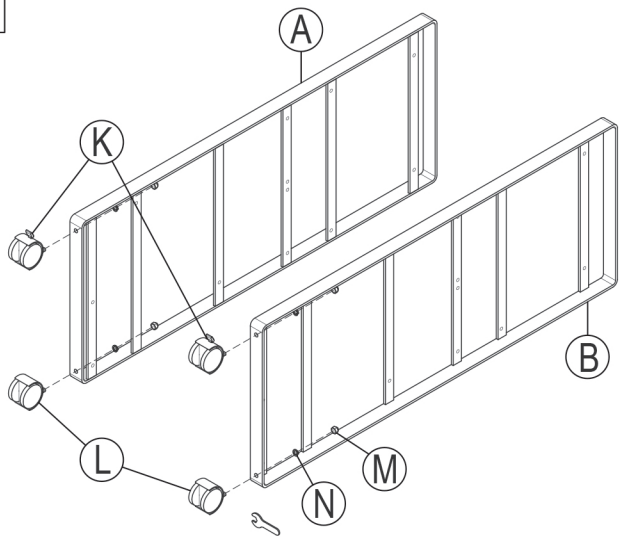
**Tools Included:**



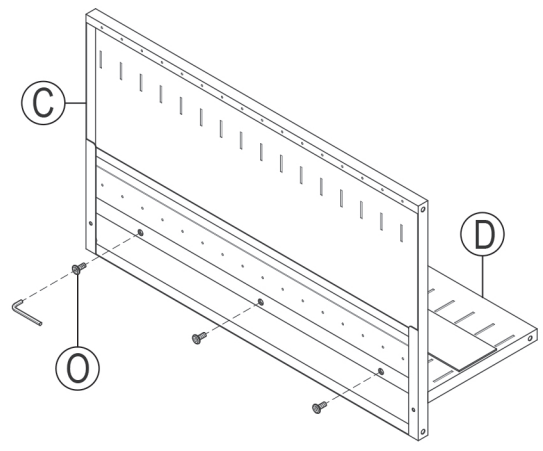
**Tools Needed:**



**1**



**2**



**3**

