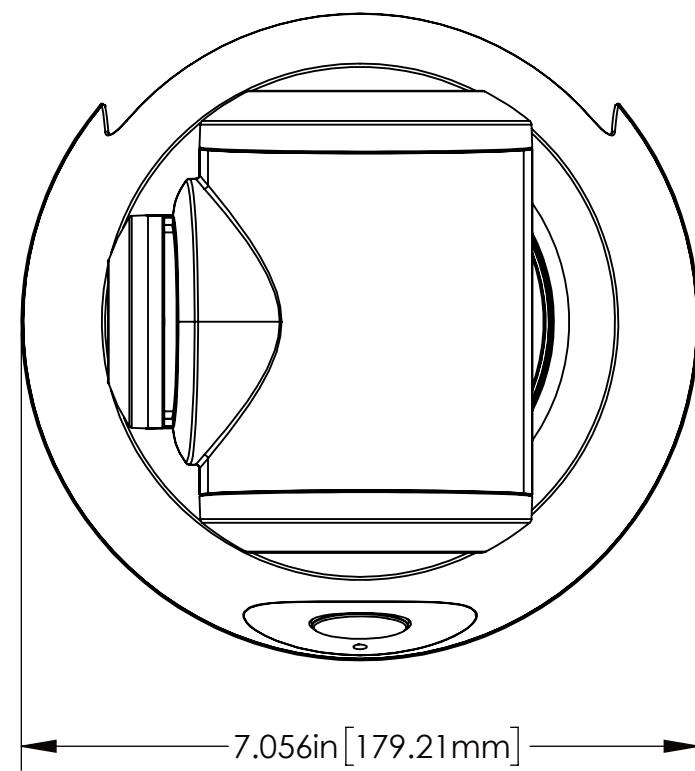
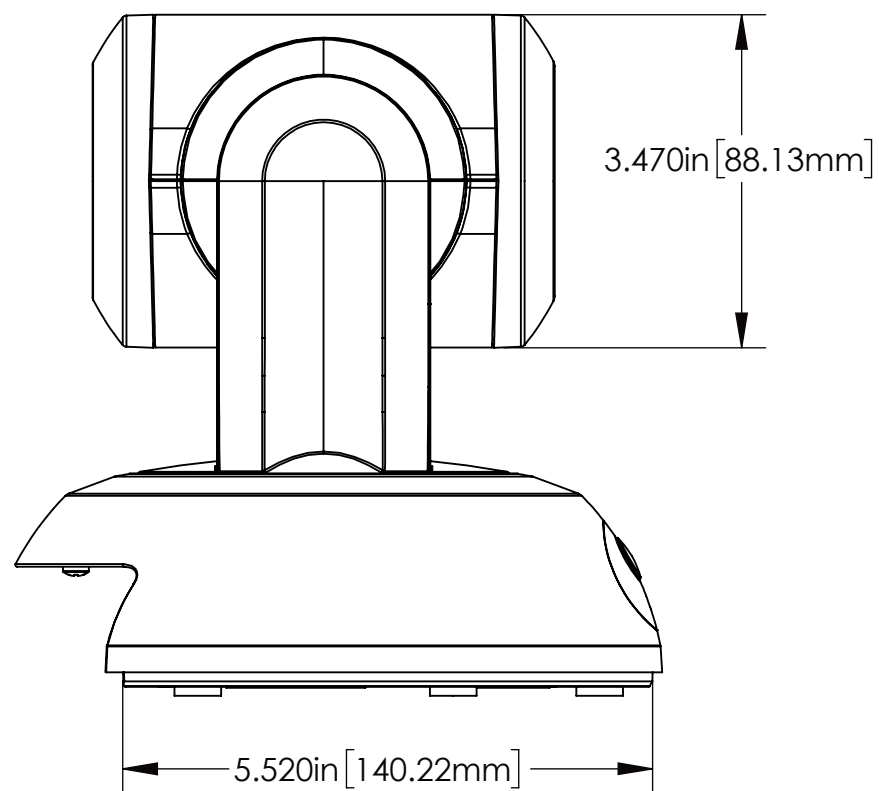


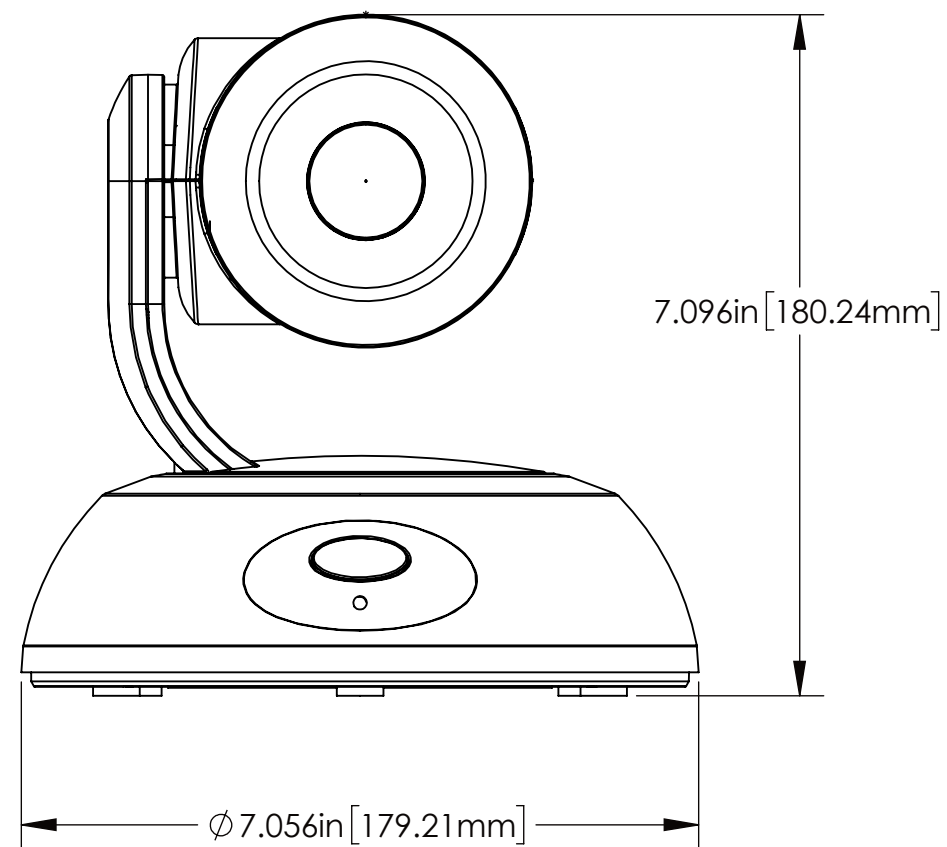
TOP VIEW



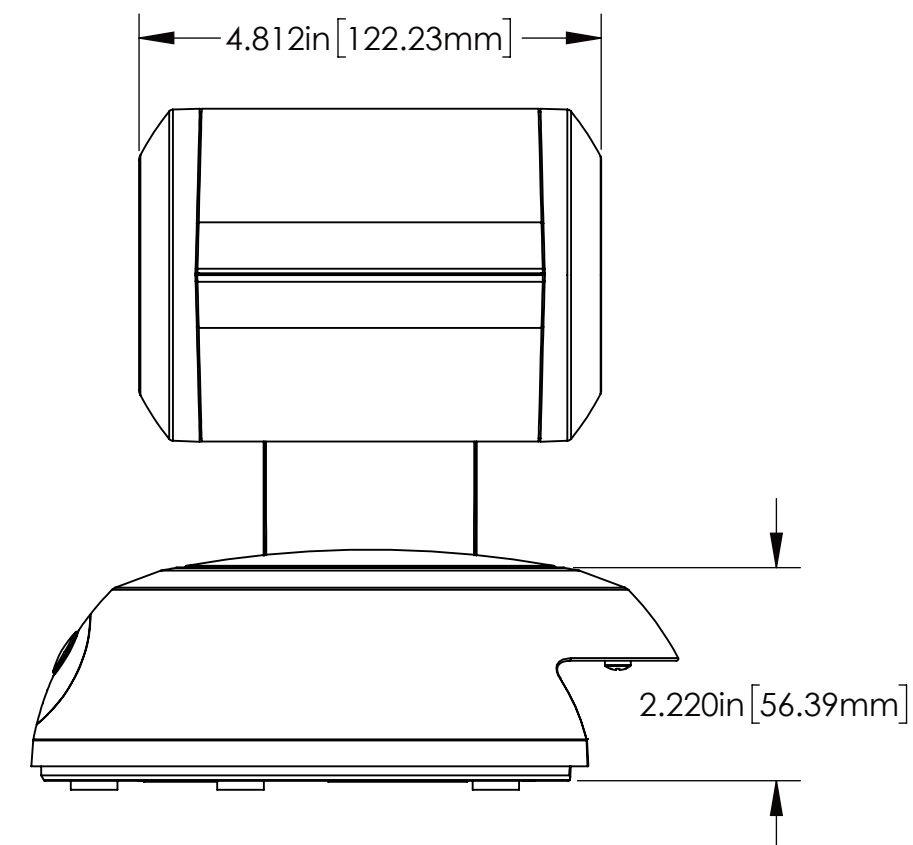
SIDE VIEW 1



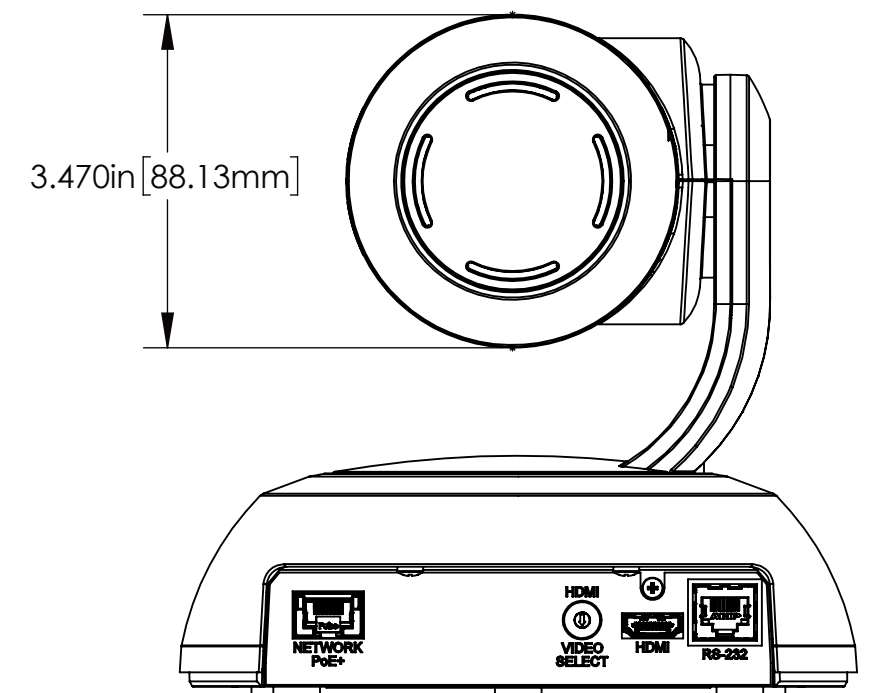
FRONT VIEW



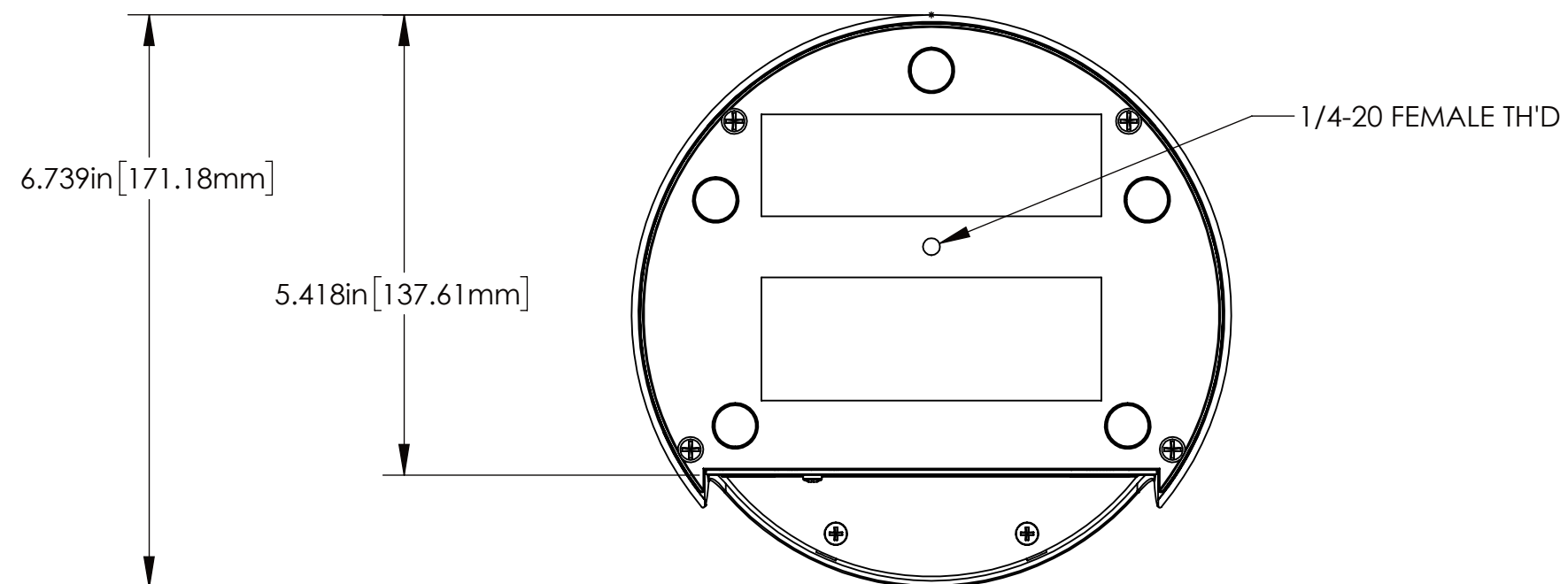
SIDE VIEW 2



REAR VIEW



BOTTOM VIEW



UNLESS OTHERWISE NOTED: DIMENSIONS ARE IN INCHES DIMENSIONAL LIMITS APPLY AFTER FINISH MACHINED SURFACES 125 EDGES & FILLETS R .005/.015 FRACTIONS ± 1/32 ANGLES ± 1° DEC. XX = ± .015 .XXX = ± .005 .XXXX = ± .0002		THIS DRAWING, INCLUDING ALL SUBJECT MATTERS INDICATED THEREON OR DERIVED THEREFROM, COMPRISES PROPRIETARY INFORMATION AND IS THE EXPRESS PROPERTY OF LEGRAND AV INC. EMPLOYMENT, REPRODUCTION OR DISSEMINATION OF THIS DRAWING, IN WHOLE OR IN PART, WITHOUT WRITTEN PERMISSION OF LEGRAND AV INC IS STRICTLY FORBIDDEN.			
		DRAWN	CHECKED	APPROVED	DATE
		WLF			6/26/19
MATERIAL		SCALE		REV.	
VARIOUS		1:2		A	
FINISH		SHEET		DRAWING NO.	
NONE		1 OF 1		998-99437-000	
TITLE			REV.		
ROBOSHOT 30E NDI CAMERA			A		