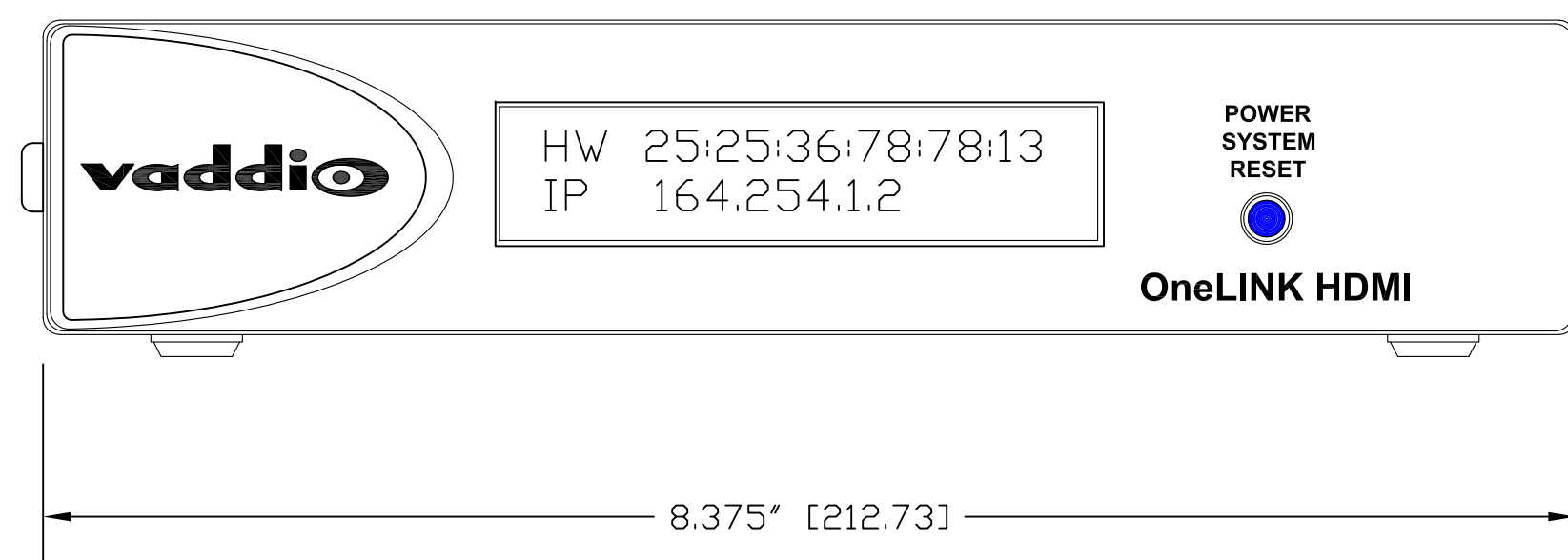


OneLINK HDMI Interface

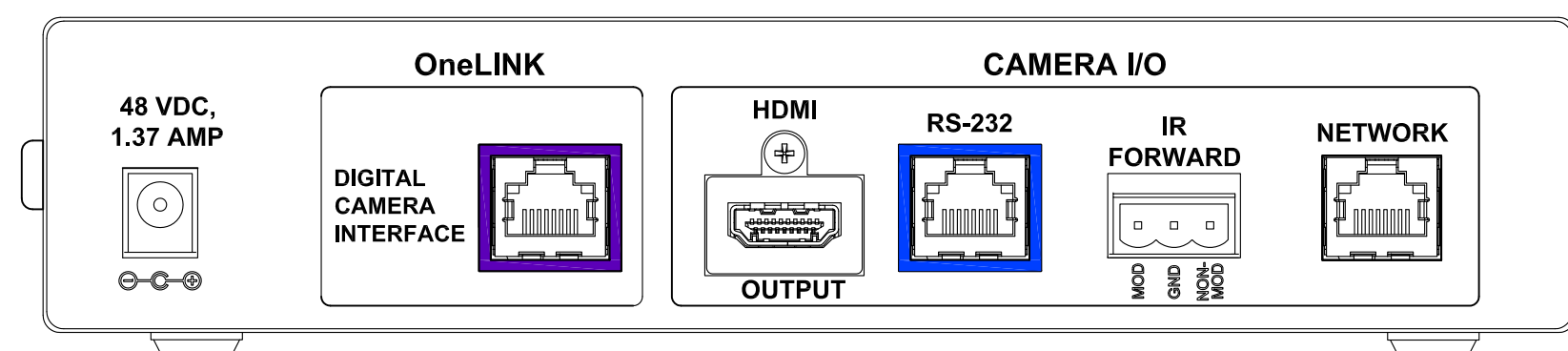
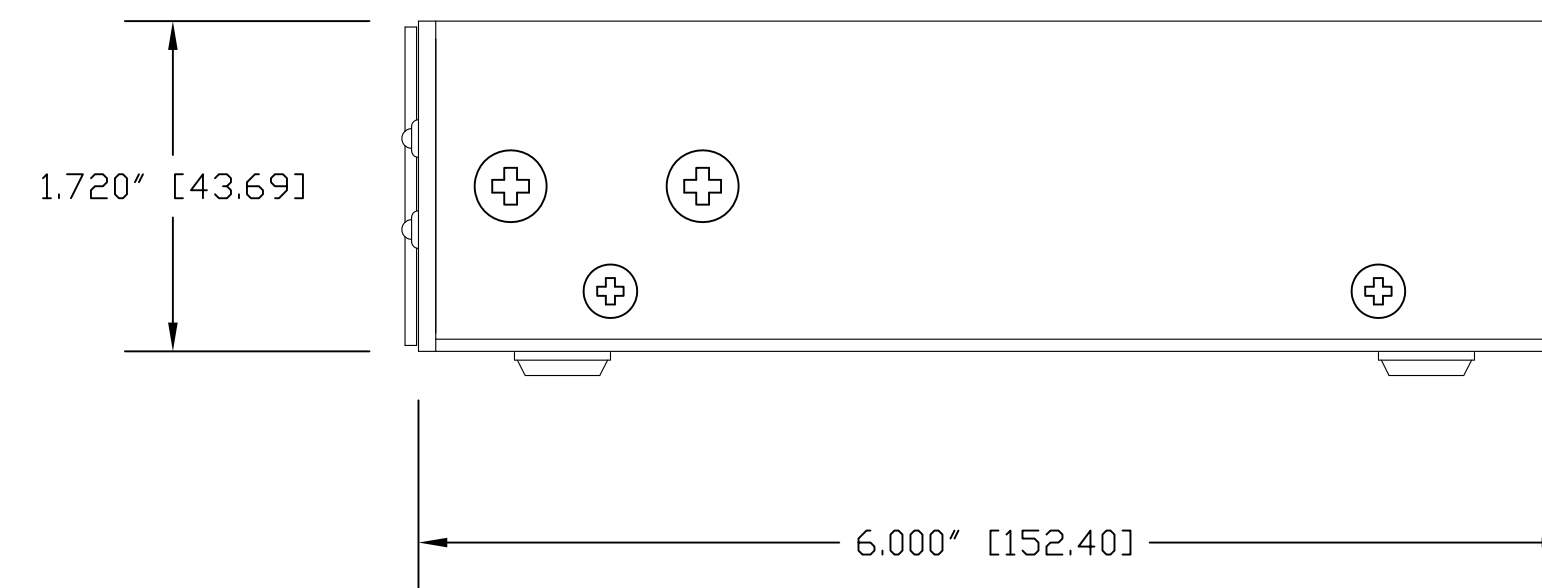
TOP VIEW



FRONT VIEW



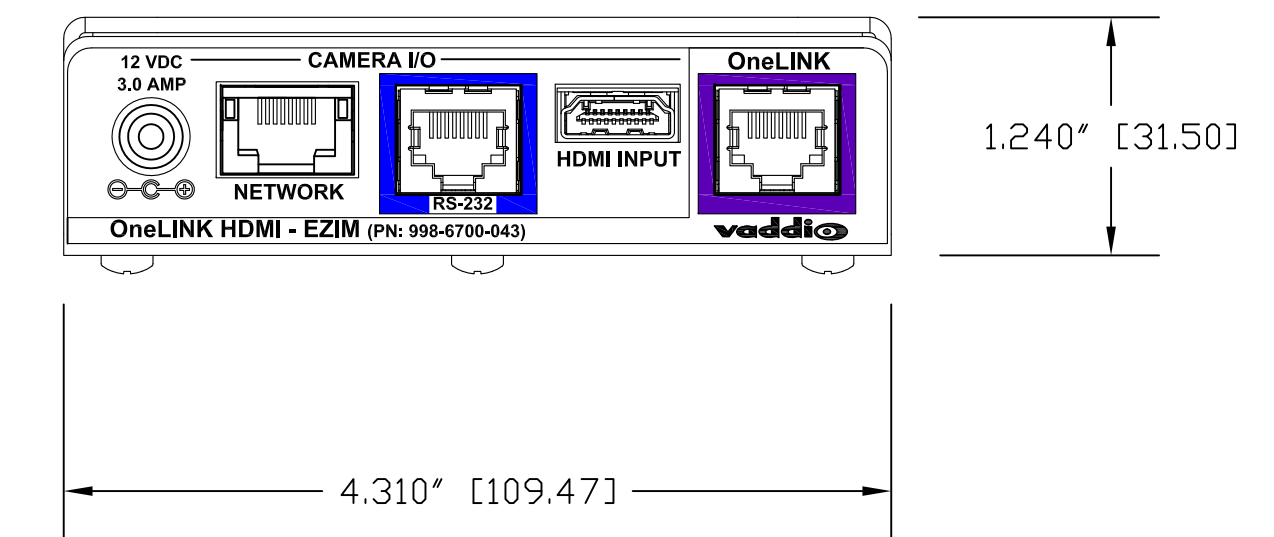
SIDE VIEW



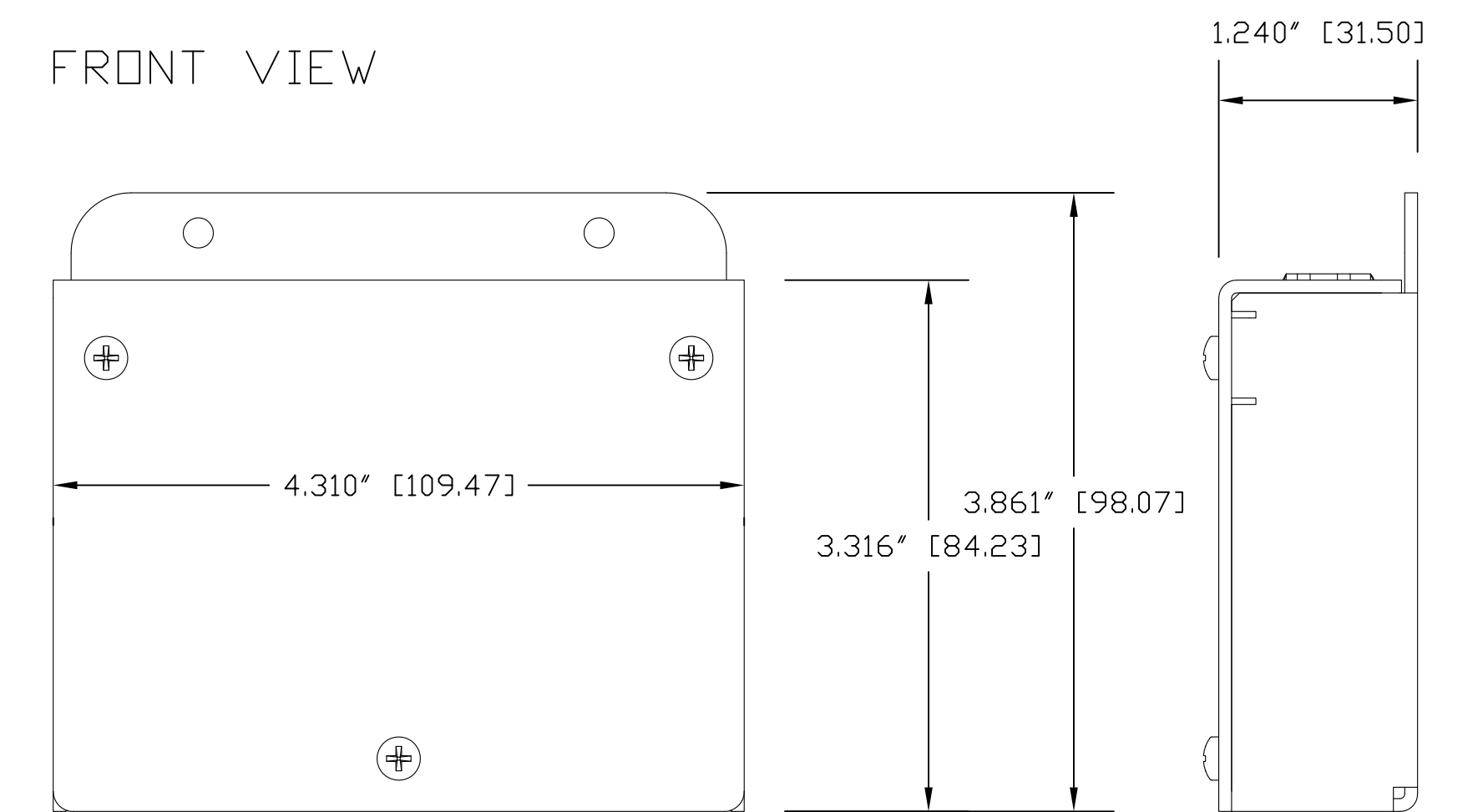
REAR VIEW

OneLINK HDMI EZIM (EZ Interface Module)

TOP VIEW



FRONT VIEW



SIDE VIEW



GENERAL NOTES:
DIMENSIONS ARE IN INCHES (mm) UNLESS OTHERWISE NOTED.
DO NOT DISTRIBUTE WITHOUT EXPRESS WRITTEN PERMISSION
OF VADDIO. DUE TO OUR CONTINUING EFFORTS TO ENHANCE
OUR PRODUCTS, WE RESERVE THE RIGHT TO CHANGE
SPECIFICATIONS WITHOUT PRIOR NOTICE OR OBLIGATION.

OneLINK HDMI System			
OneLINK HDMI Interface PN: 998-1105-043 (head end) OneLINK EZIM HDMI PN: 998-6700-043 (camera side)			
DRAWN RAR	CHECKED	APPROVED RAR	DATE 01/07/2016 SD: 69483.9
THIS DRAWING, INCLUDING ALL SUBJECT MATTERS INDICATED THEREON OR DERIVED THEREFROM, COMPRISES PROPRIETARY INFORMATION AND IS THE EXPRESS PROPERTY OF VADDIO. All Rights Reserved - Copyright 2008			
MATERIALS CRS SHT, .105 (12 GA) BLACK POWDERCOAT - C241-BK303	SCALE 1:1	DRAWING No. 0003-043	REV A
COMMENTS Tachyon Conversion Inhibitor (TCI) - NOT INCLUDED	SIZE D		