



TANDEMBOX antaro

METALLIC GREY

UK Stock Programme

 **blum**[®]

The antaro principle: straight - clean lines and harmonious

TANDEMBOX antaro offers a clean minimalistic design, it is characterised by a rectangular gallery.

The simplicity of the TANDEMBOX antaro design is also reflected in the selection of colours, with components being colour matched to each finish.

The programme is comprehensive and covers all kitchen applications.



Wide range of applications



"D" & "C" height drawer Page 4-5



"D" height inner drawer Page 6-7



"M" & "N" height drawer Page 8-9



"M" height inner drawer Page 10-11



"D" height sink drawer Page 12-13



ORGA-LINE for TANDEMBOX antaro Page 14-17



Design Element options Page 18



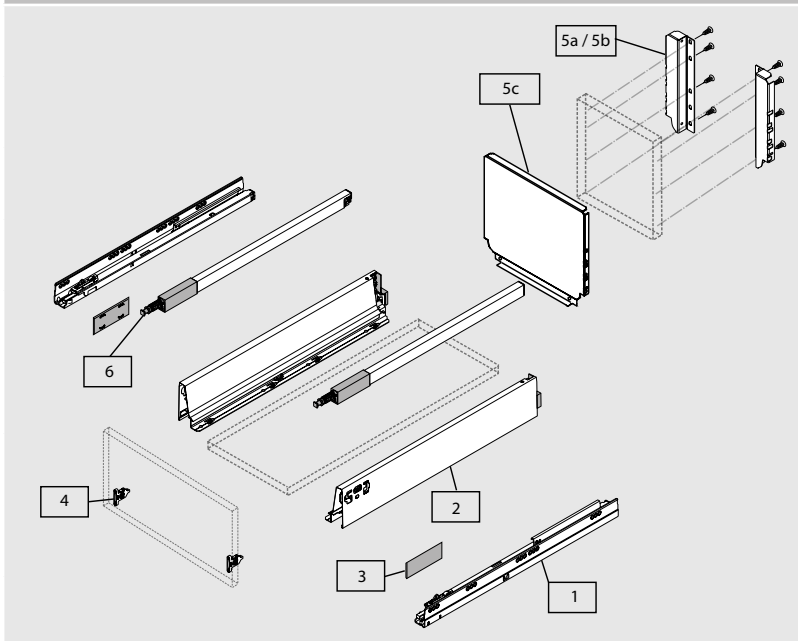
Technical details & General information Page 19-23

“D” & “C” height drawer

Product image



Component list



1	Cabinet profile (L/R)
2	“M” height “A” profile drawer side (L/R)
3	Symmetrical plain cover cap
4	Symmetrical front fixing bracket
5a	“D” height back fixing bracket for MFC back (L/R)
5b	“C” height back fixing bracket for MFC back (L/R)
5c	“D” height steel back
6	Top gallery rail (L/R)

Order specification


1	Cabinet profiles (L/R)											
	Nominal length NL	Format	30 kg	Order Multiple	Format	50 kg	Order Multiple	Format	65 kg	Order Multiple		
	270 mm	Set / L or R	578.2701B	6 / 20								
	350 mm	Set / L or R	578.3501B	6 / 20								
	400 mm	Set / L or R	578.4001B	6 / 20								
	450 mm	Set / L or R	578.4501B	6 / 20	Set / L or R	579.4501B	6 / 20	Set (pair)	576.4501B	8		
	500 mm	Set / L or R	578.5001B	6 / 20	Set / L or R	579.5001B	6 / 20	Set / L or R	576.5001B	8 / 16		
	550 mm	Set / L or R	578.5501B	6 / 20				Set (pair)	576.5501B	8		
	650 mm							Set (pair)	576.6501B	6		


2	“M” height “A” profile drawer side (L/R)			
	Nominal length NL	Format	METALLIC GREY (R906)	Order Multiple
	270 mm	Set* / L or R	378M2702SA	1 / 20
	350 mm	Set* / L or R	378M3502SA	1 / 20
	400 mm	Set* / L or R	378M4002SA	1 / 20
	450 mm	Set* / L or R	378M4502SA	1 / 20
	500 mm	Set* / L or R	378M5002SA	1 / 20
	550 mm	Set*	378M5502SA	1
	650 mm	Set*	378M6502SA	1


*Supplied with Blum branded cover caps

Order specification


	Symmetrical plain cover cap		
	METALLIC GREY (WGR)	Order Multiple	
	ZAA.532C	1	

	Symmetrical front fixing bracket		
		Order Multiple	
	Screw-on	ZSF.35A2	1
	INSERTA	ZSF.39A2	1
	Knock-in	ZSF.36A2	1

	"D" height back fixing bracket for MFC back (L/R)		
	METALLIC GREY (R906)	Order Multiple	
	For 199 mm high MFC back Set / L or R	Z30D000S	1 / 50

	"C" height back fixing bracket for MFC back (L/R)		
	METALLIC GREY (R906)	Order Multiple	
	For 169 mm high MFC back L or R	Z30C000S	50

	"D" height steel back (L/R)		
	Nominal width (Based on 18 mm carcass)	METALLIC GREY (R906)	Order Multiple
	300 mm	Z30D235S.6	15
	400 mm	Z30D335S.6	15
	450 mm	Z30D385S.6	15
	500 mm	Z30D435S.6	15
	600 mm	Z30D535S.6	15
	800 mm	Z30D735S.6	10
	900 mm	Z30D835S.6	10
	1000 mm	Z30D935S.6	10

	6 Top gallery rail (L/R)			
	Nominal length NL	Format	METALLIC GREY (R906)	Order Multiple
	350 mm	Set (pair)	ZRG.287RSIC	1 / 30
	400 mm	Set (pair)	ZRG.337RSIC	1
	450 mm	Set / L or R	ZRG.387RSIC	1 / 64
	500 mm	Set / L or R	ZRG.437RSIC	1 / 64
	550 mm	Set (pair)	ZRG.487RSIC	1 / 30
	650 mm	Set (pair)	ZRG.587RSIC	1 / 30

Order example

Order Example			
TANDEMBOX antaro "D" height drawer in METALLIC GREY, 600 mm wide 500 mm nominal length drawer with steel back & screw on front fixing brackets. (Note: order multiples apply to all orders)			
Product image	Part number	Short Description	Qty per drawer
	578.5001B L	L/H drawer runner	1
	578.5001B R	R/H drawer runner	1
	378M5002SA L R906	L/H drawer side	1
	378M5002SA R R906	R/H drawer side	1
	ZAA.532C WGR	Symmetrical cover cap	2
	ZSF.35A2	Symmetrical front fixing bracket	2
	Z30D535S.6 R906	Steel back	1
	ZRG.437RSIC Set R906	L&R/H gallery rail set	1

Additional information		
ORGA-LINE for "D" height drawers	Page	14 - 15
Design element options	Page	18
Technical details	Page	19 - 23

“D” height inner drawer

Product image



Component list

1	Cabinet profile (L/R)
2	“M” height “A” profile drawer side (L/R)
3	Symmetrical plain cover cap
4a	“D” height inner drawer front (pre-assembled)
4b	“D” height inner drawer front (cut to size)
5a	“D” height back fixing bracket for MFC back (L/R)
5b	“D” height steel back
6	Top gallery rail (L/R)
7	Top gallery rail adapter

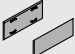
Order specification

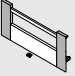
1	Cabinet profiles (L/R)											
	Nominal length NL	Format	30 kg	Order Multiple	Format	50 kg	Order Multiple	Format	65 kg	Order Multiple		
	270 mm	Set / L or R	578.2701B	6 / 20								
	350 mm	Set / L or R	578.3501B	6 / 20								
	400 mm	Set / L or R	578.4001B	6 / 20								
	450 mm	Set / L or R	578.4501B	6 / 20	Set / L or R	579.4501B	6 / 20	Set (pair)	576.4501B	8		
	500 mm	Set / L or R	578.5001B	6 / 20	Set / L or R	579.5001B	6 / 20	Set / L or R	576.5001B	8 / 16		
	550 mm	Set / L or R	578.5501B	6 / 20				Set (pair)	576.5501B	8		
	650 mm							Set (pair)	576.6501B	6		

2	“M” height “A” profile drawer side (L/R)			
	Nominal length NL	Format	METALLIC GREY (R906)	Order Multiple
	270 mm	Set* / L or R	378M2702SA	1 / 20
	350 mm	Set* / L or R	378M3502SA	1 / 20
	400 mm	Set* / L or R	378M4002SA	1 / 20
	450 mm	Set* / L or R	378M4502SA	1 / 20
	500 mm	Set* / L or R	378M5002SA	1 / 20
	550 mm	Set*	378M5502SA	1
	650 mm	Set*	378M6502SA	1




*Supplied with Blum branded cover caps


Order specification

	3 Symmetrical plain cover cap		
	METALLIC GREY (WGR)	Order Multiple	
	ZAA.532C	1	


	4a "D" height inner drawer front (pre-assembled)		
	Nominal width (Based on 18 mm carcass)	METALLIC GREY (R906)	Order Multiple
	300 mm	ZIA.130D2.1	1* / 32
	400 mm	ZIA.230D2.1	1* / 16
	450 mm	ZIA.280D2.1	1* / 16
	500 mm	ZIA.330D2.1	1* / 16
	600 mm	ZIA.430D2.1	1* / 16
	800 mm	ZIA.630D2.1	1* / 16
	900 mm	ZIA.730D2.1	1* / 16
	1000 mm	ZIA.830D2.1	1* / 16


*Supplied with 2x gallery rail adapters (ZRG.000R5F)

	4b "D" height inner drawer front (cut to size)		
	METALLIC GREY (R906)	Order Multiple	
	Inner drawer front bracket set (includes 2x ZRG.000R5F)	ZIF.74D0	1
	Cross gallery rail (1046 mm length)	ZRG.1046Z	20
	Inner drawer front section (1036 mm length)	Z31L1036A	12

	5a "D" height back fixing bracket for MFC back (L/R)		
	METALLIC GREY (R906)	Order Multiple	
	For 199 mm high MFC back		
	Set / L or R	Z30D000S	1 / 50

	5b "D" height steel back (L/R)		
	Nominal width (Based on 18 mm carcass)	METALLIC GREY (R906)	Order Multiple
	300 mm	Z30D235S.6	15
	400 mm	Z30D335S.6	15
	450 mm	Z30D385S.6	15
	500 mm	Z30D435S.6	15
	600 mm	Z30D535S.6	15
	800 mm	Z30D735S.6	10
	900 mm	Z30D835S.6	10
	1000 mm	Z30D935S.6	10

	6 Top gallery rail (L/R)			
	Nominal length NL	Format	METALLIC GREY (R906)	Order Multiple
	350 mm	Set (pair)	ZRG.287RSIC	1 / 30
	400 mm	Set (pair)	ZRG.337RSIC	1
	450 mm	Set / L or R	ZRG.387RSIC	1 / 64
	500 mm	Set / L or R	ZRG.437RSIC	1 / 64
	550 mm	Set (pair)	ZRG.487RSIC	1 / 30
	650 mm	Set (pair)	ZRG.587RSIC	1 / 30

	7 Top gallery rail adapter		
	Required with pre-assembled fronts in multiples of 16 or 32 (2 required per front)	ZRG.000R5F	Order Multiple 100

Order example

Order Example			
TANDEMBOX antaro "D" height inner drawer in METALLIC GREY, 600 mm wide 500 mm nominal length drawer with steel back & pre-assembled drawer front. (Note: order multiples apply to all orders)			
Product image	Part number	Short Description	Qty per drawer
	578.5001B L	L/H drawer runner	1
	578.5001B R	R/H drawer runner	1
	378M5002SA L R906	L/H drawer side	1
	378M5002SA R R906	R/H drawer side	1
	ZAA.532C WGR	Symmetrical cover cap	2
	ZIA.430D2.1	Inner drawer front	1
	Z30D535S.6 R906	Steel back	1
	ZRG.437RSIC Set R906	L&R/H gallery rail set	1

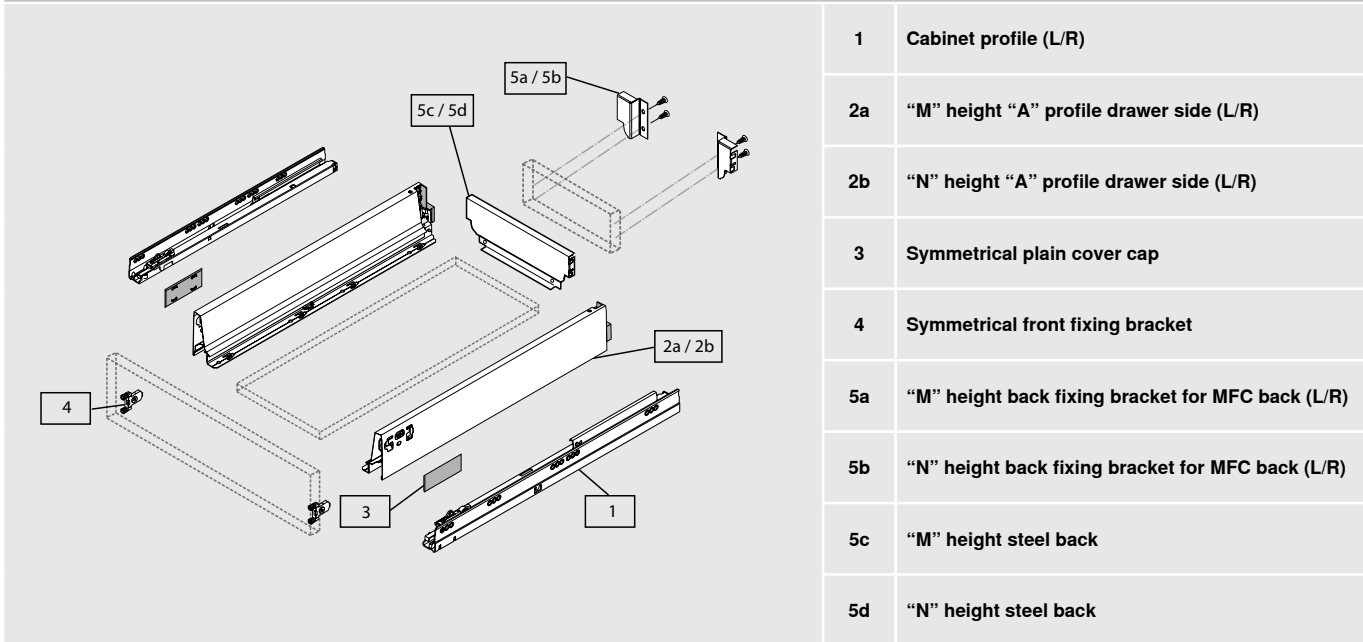
Additional information		
ORGA-LINE for "D" height drawers	Page	14 - 15
Design element options	Page	18
Technical details	Page	19 - 23

“M” & “N” height drawer

Product image



Component list



1	Cabinet profile (L/R)
2a	“M” height “A” profile drawer side (L/R)
2b	“N” height “A” profile drawer side (L/R)
3	Symmetrical plain cover cap
4	Symmetrical front fixing bracket
5a	“M” height back fixing bracket for MFC back (L/R)
5b	“N” height back fixing bracket for MFC back (L/R)
5c	“M” height steel back
5d	“N” height steel back

Order specification

1	Cabinet profiles (L/R)											
	Nominal length NL	Format	30 kg	Order Multiple	Format	50 kg	Order Multiple	Format	65 kg	Order Multiple		
	270 mm	Set / L or R	578.2701B	6 / 20								
	350 mm	Set / L or R	578.3501B	6 / 20								
	400 mm	Set / L or R	578.4001B	6 / 20								
	450 mm	Set / L or R	578.4501B	6 / 20	Set / L or R	579.4501B	6 / 20	Set (pair)	576.4501B	8		
	500 mm	Set / L or R	578.5001B	6 / 20	Set / L or R	579.5001B	6 / 20	Set / L or R	576.5001B	8 / 16		
	550 mm	Set / L or R	578.5501B	6 / 20				Set (pair)	576.5501B	8		
	650 mm							Set (pair)	576.6501B	6		

2a	“M” height “A” profile drawer side (L/R)			
	Nominal length NL	Format	METALLIC GREY (R906)	Order Multiple
	270 mm	Set* / L or R	378M2702SA	1 / 20
	350 mm	Set* / L or R	378M3502SA	1 / 20
	400 mm	Set* / L or R	378M4002SA	1 / 20
	450 mm	Set* / L or R	378M4502SA	1 / 20
	500 mm	Set* / L or R	378M5002SA	1 / 20
	550 mm	Set*	378M5502SA	1
	650 mm	Set*	378M6502SA	1

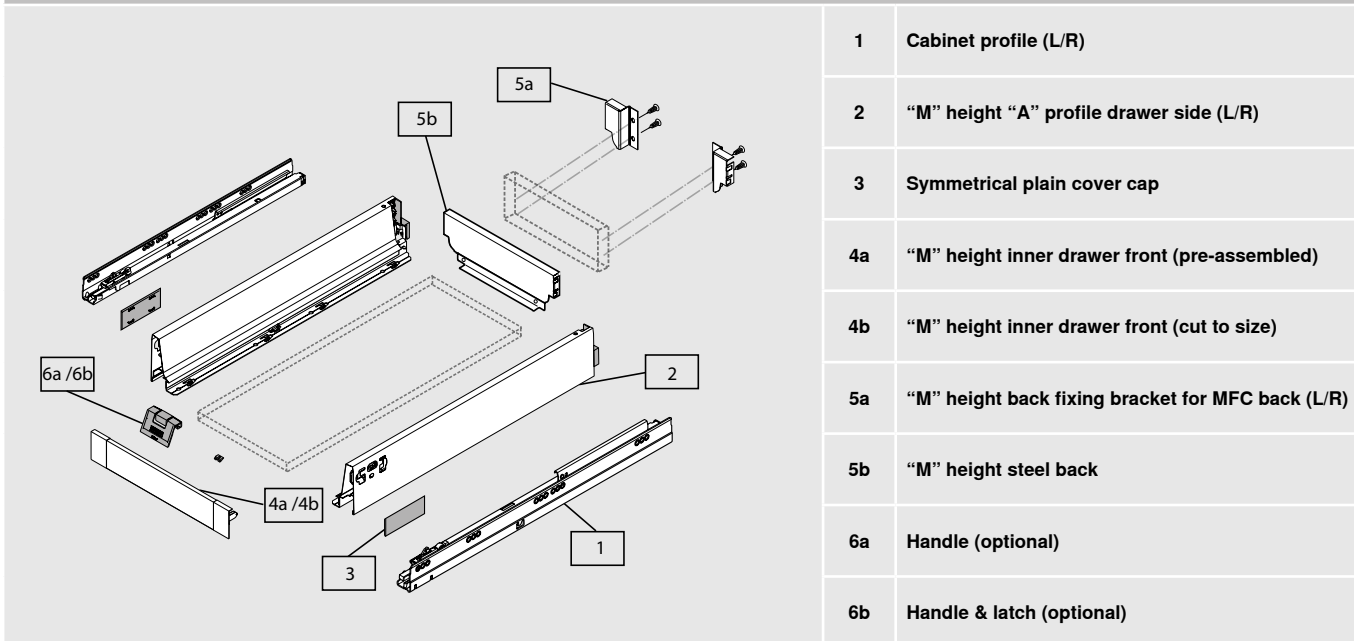
*Supplied with Blum branded cover caps

"M" height inner drawer





Product image




Component list



Order specification

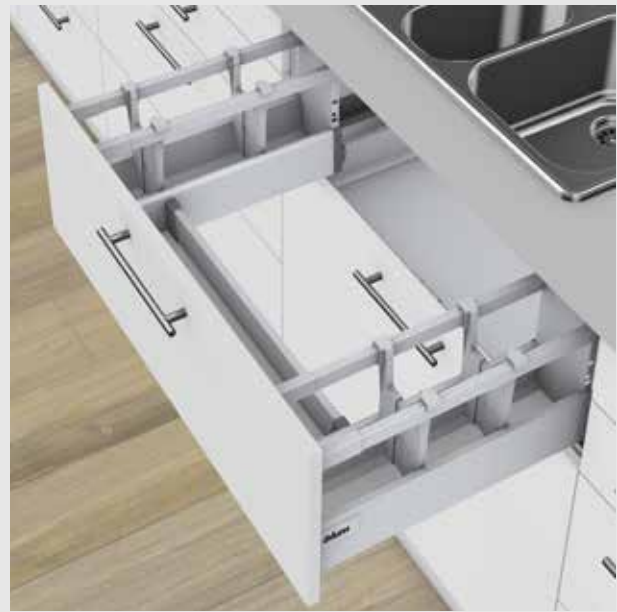
1	Cabinet profiles (L/R)											
	Nominal length NL	Format	30 kg 	Order Multiple	Format	50 kg 	Order Multiple	Format	65 kg 	Order Multiple		
	270 mm	Set / L or R	578.2701B	6 / 20								
	350 mm	Set / L or R	578.3501B	6 / 20								
	400 mm	Set / L or R	578.4001B	6 / 20								
	450 mm	Set / L or R	578.4501B	6 / 20	Set / L or R	579.4501B	6 / 20	Set (pair)	576.4501B	8		
	500 mm	Set / L or R	578.5001B	6 / 20	Set / L or R	579.5001B	6 / 20	Set / L or R	576.5001B	8 / 16		
	550 mm	Set / L or R	578.5501B	6 / 20				Set (pair)	576.5501B	8		
	650 mm							Set (pair)	576.6501B	6		

2	'M' height 'A' profile drawer side (L/R)			
	Nominal length NL	Format	METALLIC GREY (R906)	Order Multiple
	270 mm	Set* / L or R	378M2702SA	1 / 20
	350 mm	Set* / L or R	378M3502SA	1 / 20
	400 mm	Set* / L or R	378M4002SA	1 / 20
	450 mm	Set* / L or R	378M4502SA	1 / 20
	500 mm	Set* / L or R	378M5002SA	1 / 20
	550 mm	Set*	378M5502SA	1
	650 mm	Set*	378M6502SA	1

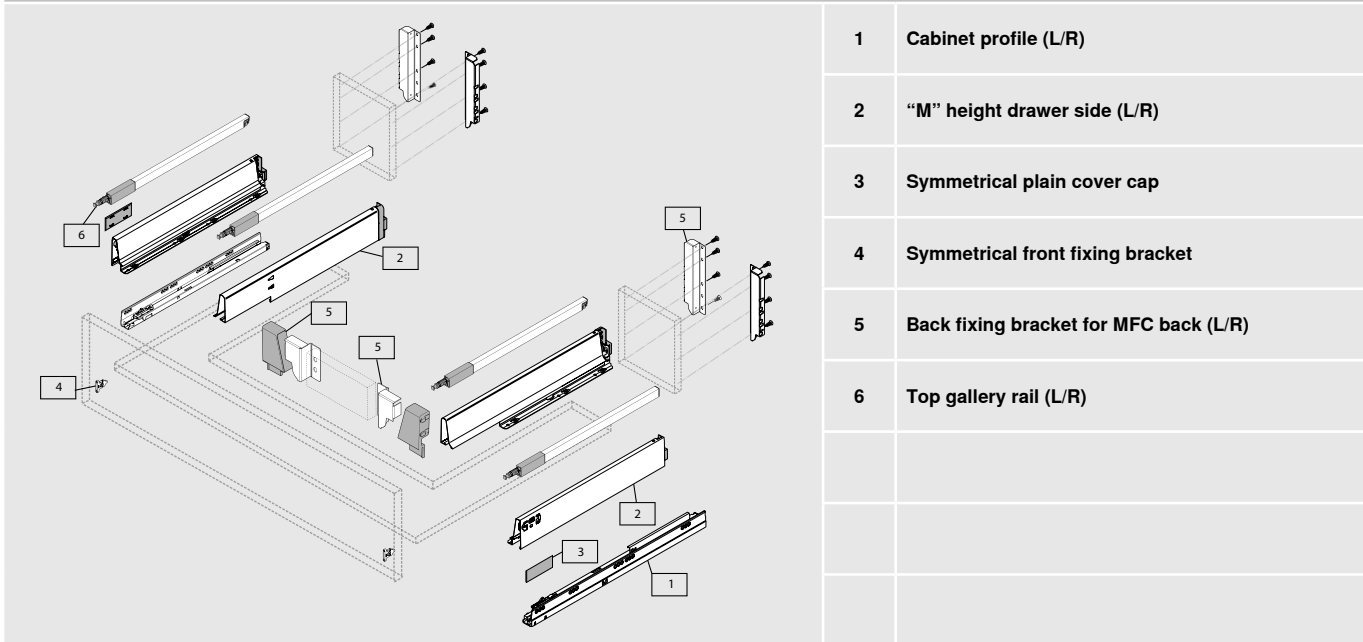
*Supplied with Blum branded cover caps

"D" height sink drawer


Product image

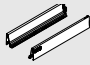



Component list



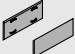
Order specification


1	Cabinet profiles (L/R)									
	Nominal length NL	Format	30 kg	Order Multiple	Format	50 kg	Order Multiple	Format	65 kg	Order Multiple
	450 mm	Set / L or R	578.4501B	6 / 20	Set / L or R	579.4501B	6 / 20	Set (pair)	576.4501B	8
	500 mm	Set / L or R	578.5001B	6 / 20	Set / L or R	579.5001B	6 / 20	Set / L or R	576.5001B	8 / 16




2	'M' height drawer side (L/R)			
	Nominal length NL	Format	METALLIC GREY (R906)	Order Multiple
	450 mm	Set* / L or R	378M4502SA	1 / 20
	500 mm	Set* / L or R	378M5002SA	1 / 20
	'M' height sink drawer side (L/R)			
	450 mm	L or R	378M4504SG	20
	500 mm	L or R	378M5004SG	20


*Supplied with Blum branded cover caps

Order specification

3	Symmetrical plain cover cap		
		METALLIC GREY (WGR)	Order Multiple
		ZAA.532C	1

4	Symmetrical front fixing bracket		
			Order Multiple
	Screw-on	ZSF.35A2	1
	INSERTA	ZSF.39A2	1
	Knock-in	ZSF.36A2	1

5	Back fixing bracket for MFC back		
		METALLIC GREY (R906)	Order Multiple
	For 199 mm high MFC back Set / L or R	Z30D000S	1 / 50
	Cross member adapter		
	Set	Z30N0002.6Z	1
	Cross member bracket		
	For 53 mm high MFC back Set / L or R	Z30N000S	1 / 50

6	Top gallery rail (L/R)			
	Nominal length NL	Format	METALLIC GREY (R906)	Order Multiple
	350 mm	Set (pair)	ZRG.287RSIC	1 / 30
	400 mm	Set (pair)	ZRG.337RSIC	1
	450 mm	Set / L or R	ZRG.387RSIC	1 / 64
	500 mm	Set / L or R	ZRG.437RSIC	1 / 64
	550 mm	Set (pair)	ZRG.487RSIC	1 / 30
	650 mm	Set (pair)	ZRG.587RSIC	1 / 30

Order example

Order Example			
TANDEMBOX antaro "D" height sink drawer in METALLIC GREY, 500 mm nominal length drawer with back fixing brackets & screw on front fixing brackets. (Note: order multiples apply to all orders)			
Product image	Part number	Short Description	Qty per drawer
	578.5001B L	L/H drawer runner	1
	578.5001B R	R/H drawer runner	1
	378M5002SA L R906	L/H drawer side	1
	378M5002SA R R906	R/H drawer side	1
	378M5004SG L R906	L/H drawer side	1
	378M5004SG R R906	R/H drawer side	1
	ZAA.532C WGR	Symmetrical cover cap	2
	ZSF.35A2	Symmetrical front fixing bracket	2
	Z30D000S L R906	L/H drawer back fixing bracket	2
	Z30D000S R R906	R/H drawer back fixing bracket	2
	Z30N0002.6Z	Cross member adapter	1
	Z30N000S L R906	L/H cross member fixing bracket	1
	Z30N000S R R906	R/H cross member fixing bracket	1
	ZRG.437RSIC Set R906	L&R/H gallery rail set	2

Additional information		
ORGA-LINE for "D" height drawers	Page	14 - 15
Design element options	Page	18
Technical details	Page	19 - 23

ORGA-LINE for "D" height drawers

Product image - example 1



Product image - example 2



Product image - example 3



Order specification

Cross divider				
	Nominal width (Based on 18 mm carcass)	METALLIC GREY (R906)	Order Multiple	
	300 mm	Z40L177S	1 / 30	
	400 mm	Z40L277S	1 / 15	
	450 mm	Z40L327S	1 / 15	
	500 mm	Z40L377S	1 / 15	
	600 mm	Z40L477S	1 / 15	
	800 mm	Z40L677S	1 / 15	
	900 mm	Z40L777S	1 / 15	
	1000 mm	Z40L877S	1 / 15	
	Cut to size (1077 mm length) internal cabinet width - 91 mm		Z40L1077A	16

Cross divider connector			
		METALLIC GREY (R906)	Order Multiple
	Cross divider connector (to be used with gallery rail)	Z40D0002Z	S2 / 100
	Cross divider connector (to be used with dividing wall)	Z40L0002	S2 / 100

Lateral divider			
		METALLIC GREY (R906)	Order Multiple
	Lateral divider (to be used with cross divider)	Z43L100S	S2 / 30

Dividing wall			
	Nominal length NL	METALLIC GREY (R906)	Order Multiple
	450 mm	Z46L420S	8
	500 mm	Z46L470S	8

ORGA-LINE for "M" height drawers

Product image



Order specification

Cabinet width 275 - 299 mm

	Nominal length NL		Order Multiple
	450 mm	ZSI.450B11N	1
	500 mm	ZSI.500B11N	1

Cabinet width 300 - 399 mm

	Nominal length NL	x2 required	Order Multiple
	450 mm	ZSI.450B11N	1
	500 mm	ZSI.500B11N	1

Cabinet width 400 - 449 mm

	Nominal length NL		Order Multiple
	450 mm	ZSI.450B13N	1
	500 mm	ZSI.500B13	1

Cabinet width 450 - 499 mm

	Nominal length NL		Order Multiple
	450 mm	ZSI.45VE14	1
	500 mm	ZSI.45VE16	1

Cabinet width 500 - 599 mm

	Nominal length NL		Order Multiple
	450 mm	ZSI.50VE14	1
	500 mm	ZSI.50VE16	1

Cabinet width 600 - 799 mm

	Nominal length NL		Order Multiple
	450 mm	ZSI.60VE14	1
	500 mm	ZSI.60VE16	1

Cabinet width 800 - 899 mm

	Nominal length NL		Order Multiple
	450 mm	ZSI.80VE14	1
	500 mm	ZSI.80VE16	1

Cabinet width 900 - 999 mm

	Nominal length NL		Order Multiple
	450 mm	ZSI.90VE14	1
	500 mm	ZSI.90VE16	1

Cabinet width 1000 mm and over

	Nominal length NL		Order Multiple
	450 mm	ZSI.10VE14	1
	500 mm	ZSI.10VE16	1

Product image



Order specification

Cabinet width 400 - 599 mm			
	Nominal length NL		Order Multiple
	450 mm	ZSI.450FI2N	1
	500 mm	ZSI.500FI2N	1

Cabinet width 600 - 649 mm			
	Nominal length NL		Order Multiple
	450 mm	ZSI.60VUI4	1
	500 mm	ZSI.60VUI6	1

Cabinet width 650 - 799 mm			
	Nominal length NL		Order Multiple
	450 mm	ZSI.450FI3	1
	500 mm	ZSI.500FI3	1

Cabinet width 800 - 899 mm			
	Nominal length NL		Order Multiple
	450 mm	ZSI.80VUI4	1
	500 mm	ZSI.80VUI6	1

Cabinet width 900 - 999 mm			
	Nominal length NL		Order Multiple
	450 mm	ZSI.90VUI4	1
	500 mm	ZSI.90VUI6	1

Cabinet width 1000 mm and over			
	Nominal length NL		Order Multiple
	450 mm	ZSI.10VUI4	1
	500 mm	ZSI.10VUI6	1

Film holder & cutter			
	88.5 x 411 mm		Order Multiple
	A 1x ZSZ.01F0 & 1x ZSZ.02F0 B 1x ZSZ.01F0	ZSZ.01F0	1

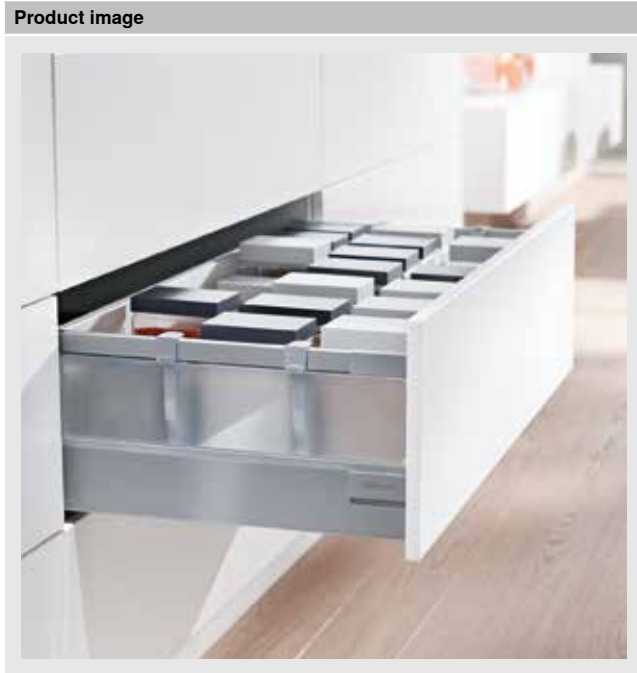
Foil holder & cutter			
	88.5 x 411 mm		Order Multiple
	A 1x ZSZ.01F0 & 1x ZSZ.02F0 B 1x ZSZ.02F0	ZSZ.02F0	1

Knife holder			
	177.5 x 260 mm		Order Multiple
	A 1x ZSZ.02M0	ZSZ.02M0	1

Additional information		
"M" height drawer	Page	8 - 9
"M" height inner drawer	Page	10 - 11

NOTE: all images show NL500 dividers, the NL450 layout may differ slightly - full details on request

Design element for "D" height drawers



Component list

1	Design element locking set
2	Design element

Order specification

1	Design element locking set		
		METALLIC GREY (WGR)	Order Multiple
		Z36D0080	1

2	Design element		
	Nominal length NL	Frosted Glass (SA)	Order Multiple
	450 mm	Z37R417D	1
	500 mm	Z37R467D	1

Note: 1 pair required per drawer, supplied in pairs

Design element cutting guide

X = NL - 33 mm
NL Nominal length

Design element can be any 8 mm thick material.

For glass applications, according to standard (DIN EN 14749 Edition Nov. 2005), no safety glass is stipulated in combination with TANDEMBOX antaro

The upper edge is a polished flat-ended edge with a 1 mm +/-0.5 mm bevel.

Additional information		
"D" height drawer	Page	4 - 5
"D" height inner drawer	Page	6 - 7
"D" height sink drawer	Page	12 - 13

Technical information

Planning guide

“D” height drawer

Space requirement

Front dimension

Back dimension

“D” height sink drawer

Space requirement

Front dimension

Back dimension

Cross member dimension

“C” height drawer

Space requirement

Front dimension

Back dimension

“M” height drawer

Space requirement

Front dimension

Back dimension

“N” height drawer

Space requirement

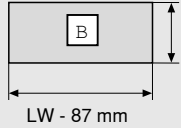
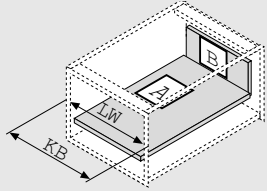
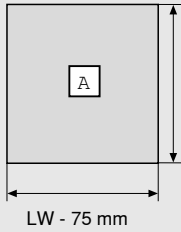
Front dimension

Back dimension

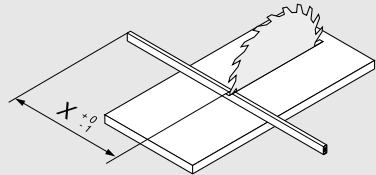
Technical information

Cutting guide

Cutting dimension for 16 mm chipboard for "D", "C", "M" & "N" height drawers

	"D" height back 199 mm	"C" height back 167 mm	"M" height back 84 mm	"N" height back 69 mm	
	Base Chipboard back NL - 24 mm Steel back NL - 22 mm				
					LW Inner cabinet width
					NL Nominal length

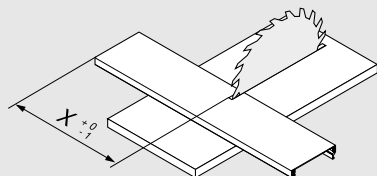
Cutting guide for rectangular cross gallery rail

	
X	LW - 122 mm
LW	Inner cabinet width

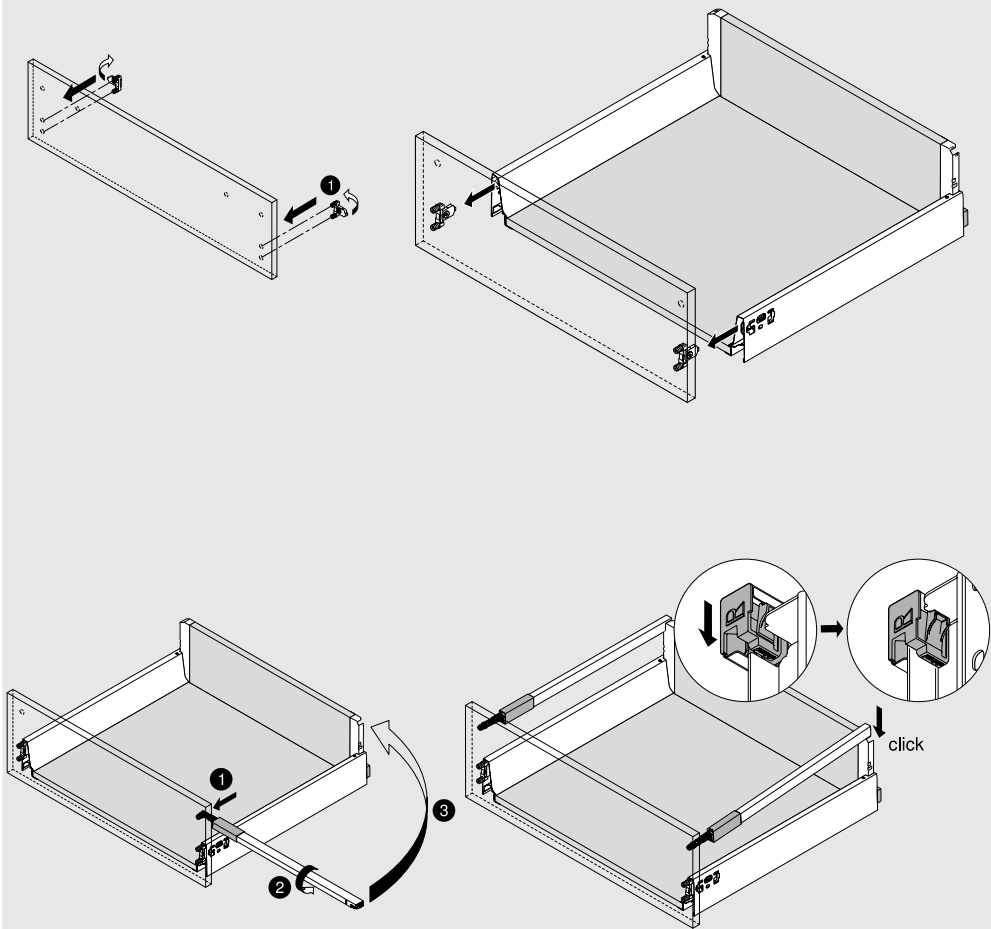
Cutting dimension for 16 mm chipboard for "D" height sink drawers

	"D" height back 199 mm				
	Base NL - 24 mm				
					LW Inner cabinet width
					SPW Internal cabinet width between sink drawer sides
					NL Nominal length
	Cross member 53 mm				Y min. 48 mm
					Y max. 225 mm

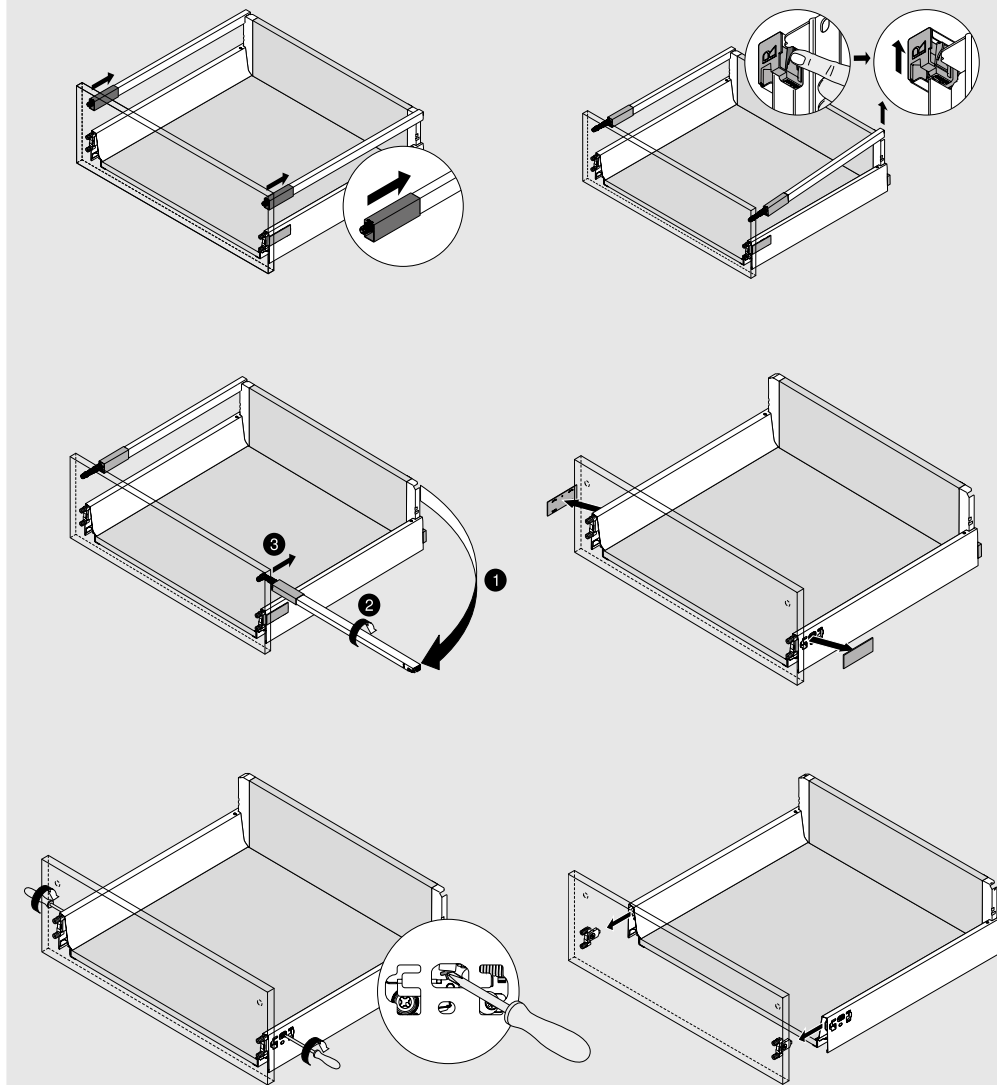
Cutting guide for inner drawer front piece

	
X	LW - 132 mm
LW	Inner cabinet width

Assembly guide

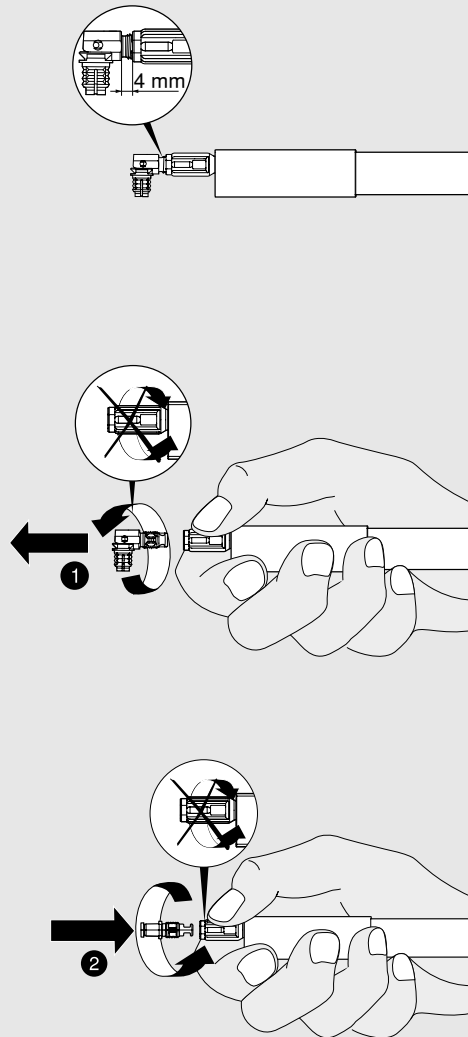


Removal guide

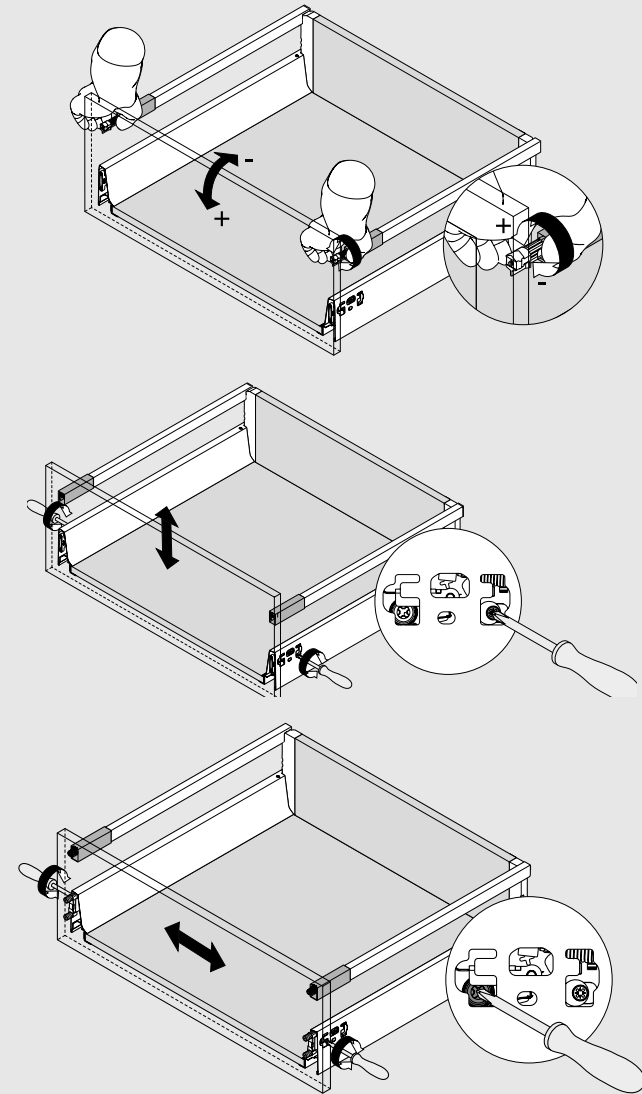


Technical information

Top gallery rail adapter swapping guide

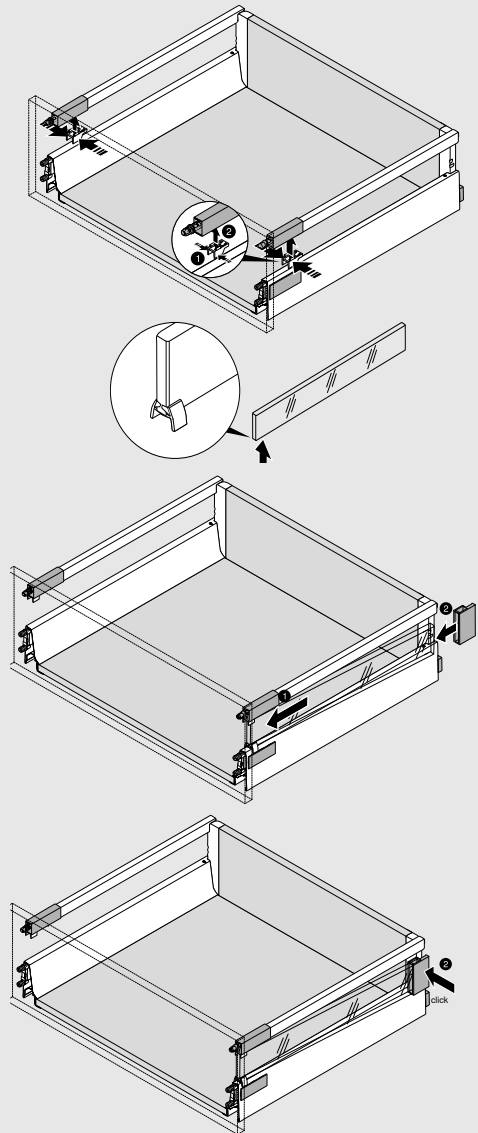


Adjustment guide

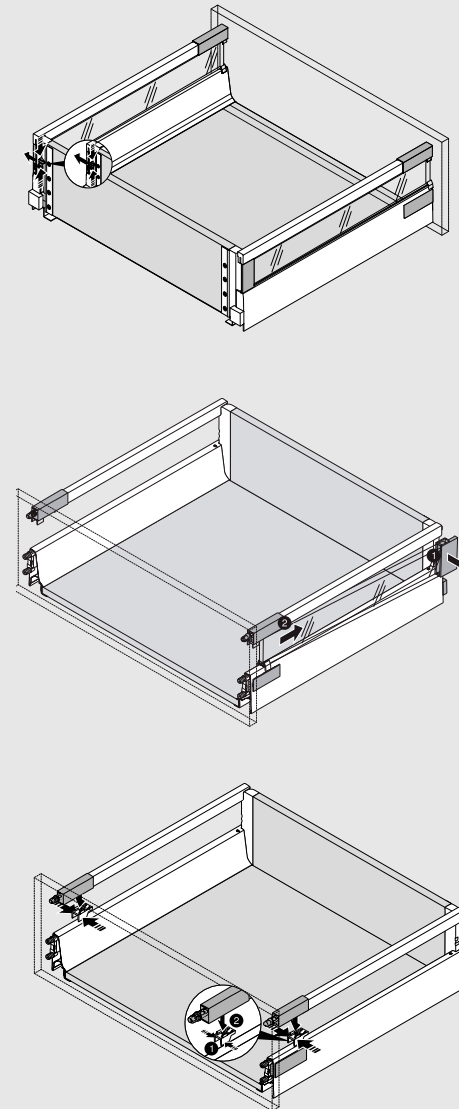


Both sides require adjustment.

Assembly guide



Removal guide



 ***Built for living.
Guaranteed for a lifetime.***

For full terms and conditions please see www.blum.com/lifetimeguarantee

 ***blum***®