

# Bedroom Unit Carcass Specifications

## Standard Height Highline Bedroom Units

20mm service void for scribing to wall. Option of Flush backed

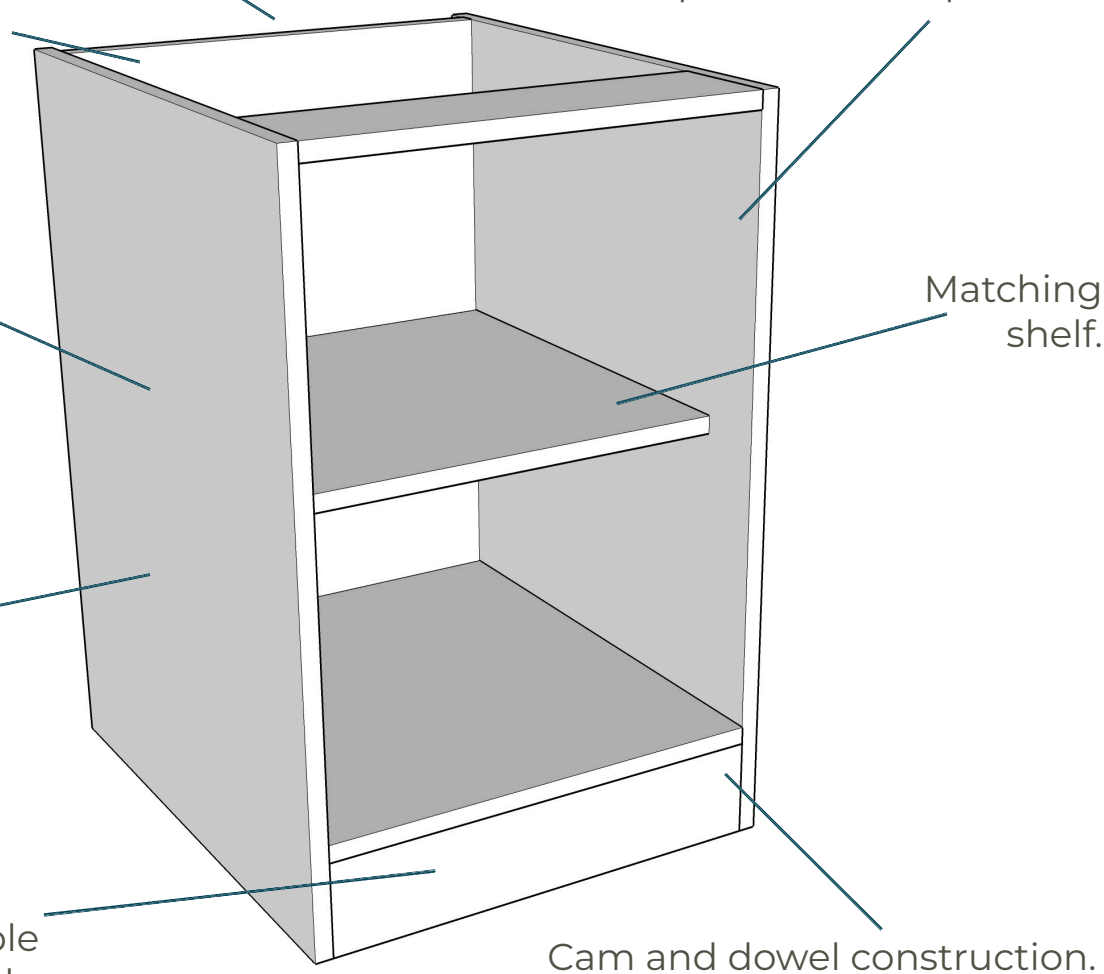
18mm solid back.

0.8mm ABS edged with PUR glue for a strong water resistant finish.

Units are 18mm thick colour coordinated Egger board.

Supplied with gable ends to floor, 4 adjustable feet and integral 100mm plinth, flush to fascia.

Each unit can be supplied with the appropriate clip on soft close hinges. These can be added in the door hinges option on each product.



Units are supplied pre-built for durability and easy installation.

# LARK&LARKS

Quality kitchens and bedrooms online

[www.larkandlarks.co.uk](http://www.larkandlarks.co.uk)

T: 0330 135 9090 E: [sales@larkandlarks.co.uk](mailto:sales@larkandlarks.co.uk)