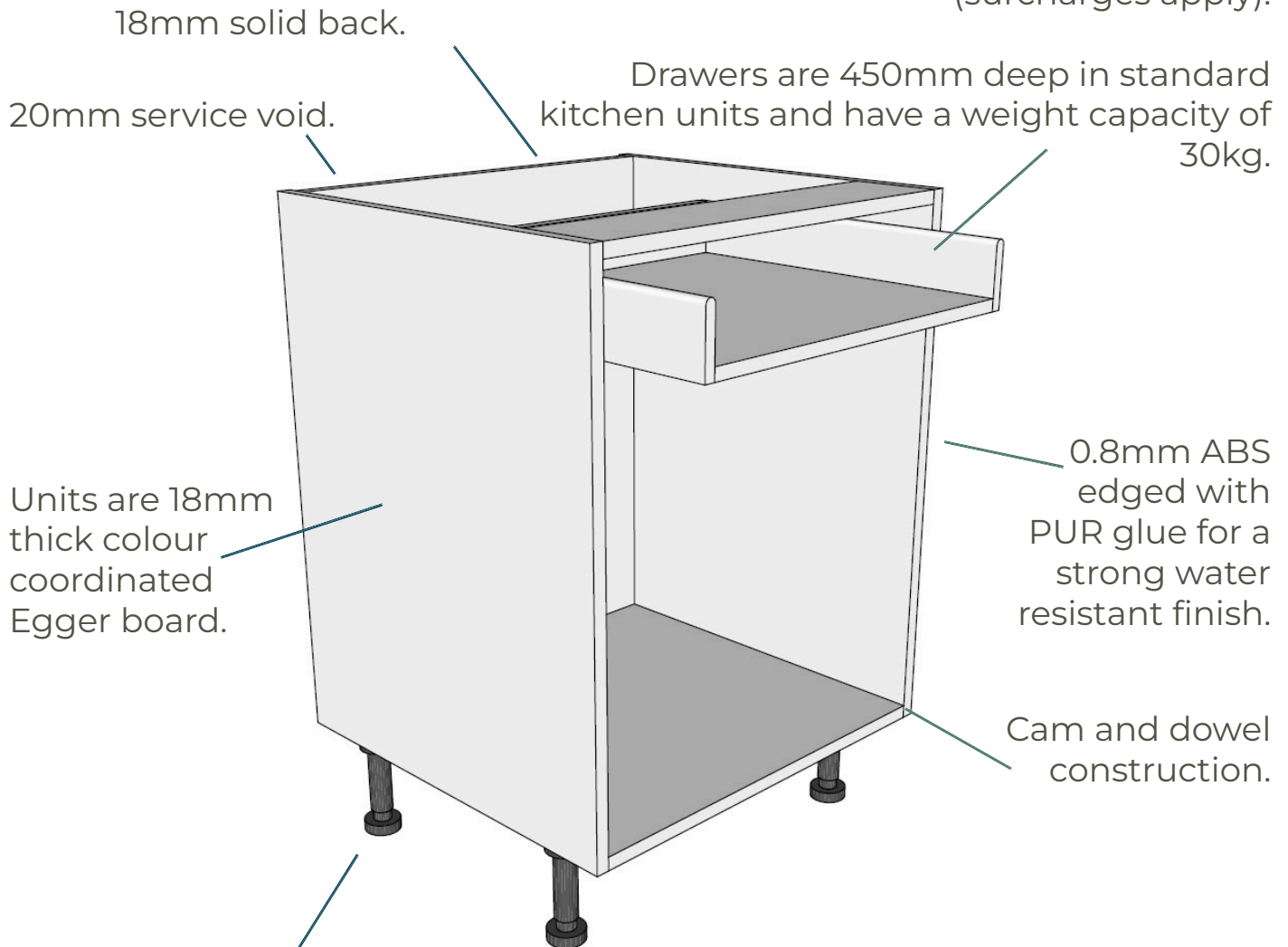


Rigid Kitchen Unit Carcass Specifications

Drawerline Open Base Units

Available with a choice of soft closing drawer boxes and runners. Use the drawer box option to select your preference (surcharges apply).



Supplied with 150mm plastic adjustable legs (minimum 125mm to maximum 170mm) and plinth clips.

Units are supplied pre-built for durability and easy installation.

LARK&LARKS

Quality kitchens and bedrooms online

www.larkandlarks.co.uk

T: 0330 135 9090 E: sales@larkandlarks.co.uk