

Rigid Kitchen Unit Carcass Specifications

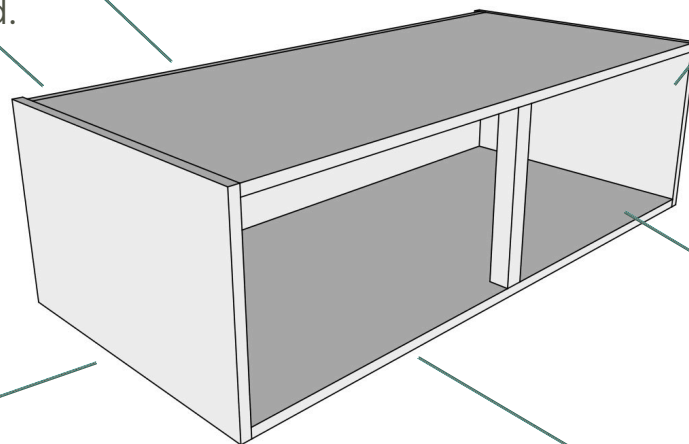
Overhousings

Each unit can be supplied with the appropriate clip on soft close hinges. These can be added in the door hinges option on each product.

18mm solid back.

50mm service void.

Units are 18mm thick colour coordinated Egger board.



Cam and dowel construction.

0.8mm ABS edged with PUR glue for a strong water resistant finish.

Units are supplied rigid for durability and easy installation.

LARK & LARKS

Quality kitchens and bedrooms online

www.larkandlarks.co.uk
T: 0330 135 9090 E: sales@larkandlarks.co.uk