

DAVIS & WADDELL

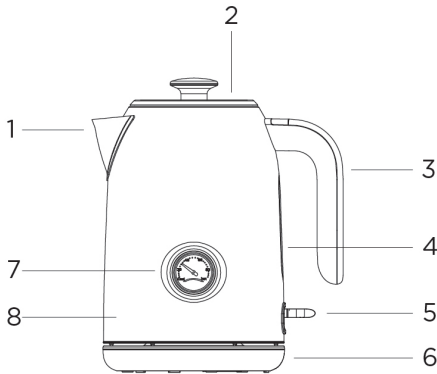
essentials

Retro Kettle

G0000886

Thank you for choosing the Davis & Waddell Retro Kettle. To ensure proper operation and to maintain the lifespan of your appliance, please read these instructions carefully before use.

Product Overview



1. Spout
2. Lid
3. Handle
4. Water level gauge
5. ON/OFF lever
6. Power base
7. Water temperature indicator
8. Stainless steel body

Important Safety Instructions

- This appliance is for boiling water only. Do not use this kettle to boil other liquids.
- This appliance is only to be used with the power base provided.
- Always ensure the appliance is plugged into a power outlet with the same voltage rating as the appliance. Do not touch the live plug when in use. Unplug appliance when not in use.
- Check the power cord regularly for visible damage. If it is damaged, do not use the appliance. A damaged cord must be replaced by the manufacturer, its authorised service centres or similarly qualified personnel to avoid any hazards.
- Do not let the cord hang over the edge of a table or counter or touch hot surfaces.
- Do not use the appliance or touch the plug with wet or damp hands, on a damp floor or when the appliance itself is wet.
- Do not kink, squash, or strain the power cord and protect it from sharp edges and heat, including hot cooking surfaces when in use. Do not place anything on top of the cord.
- Do NOT wrap the cord around the appliance, and never pull the cord to lift, carry or unplug the appliance. If winding the power cord, avoid tight bends as this could damage the cord.
- Do not connect the appliance to an external switching device such as an external timer or a separate remote-control system.
- To reduce the risk of electric shock, do NOT immerse the cord, plug or appliance in water or other liquids when cleaning. If it falls into water, immediately unplug it from the electrical outlet. Do not touch it or reach into the water.
- This appliance is suitable for indoor domestic use only.
- This appliance is not intended for use by persons (including children) with reduced physical, sensory, or mental capabilities or lack of experience and knowledge, unless they have been given supervision or instruction concerning the use of the appliance by a person responsible for their safety.
- Do not allow children to play with the appliance. Ensure close supervision of children when operating the appliance.
- Please read these instructions carefully and store them in a safe place for future reference.
- Before plugging the kettle into the mains, ensure it is intact and has not suffered any damage.

- Do not submerge appliance in water or pour water directly on it.
- When adding water into the kettle, ensure water level is between the minimum and maximum level marks. Excess water may boil and flow out of the kettle.
- Do not cover the spout with fabric. This may damage the lid and force hot water out.
- CAUTION: The outside surface of the kettle will get hot during use. Do not handle the kettle while in use.
- Always carry the kettle using the handle. Do not wrap, tilt or swing the kettle, or open lid during transportation as sudden movements may cause hot water and steam to escape from the lid or vent.
- Ensure lid is securely closed before boiling. Do not forcefully close the lid. Do NOT open lid when water is boiling.
- Do NOT touch the spout with your hand as steam will cause scalding.
- Do not place the kettle on a cloth or any unstable surface. This may cause the kettle to topple and cause scalding.
- Do not leave the appliance unattended during use.
- This appliance is intended for household and similar applications such as: Staff kitchen areas, farmhouses, by clients in hotels, motels, bed and breakfast and other residential type environments.
- CAUTION!: The heating element surface is subject to residual heat after use.
- Misuse of this appliance can potentially cause injury.
- Ensure kettle is switched off before removing it from the base. Allow kettle to cool down before cleaning and storing.
- Do not place the kettle close to the wall, furniture or other electrical appliances. Steam and heat released may damage appliances.

- RECYCLE: Look for recycling symbols on packaging components to identify if they are recyclable. Check with your local authority to find out what materials are accepted for recycling in your area.
- DISPOSE: Look for symbols on packaging components and dispose of materials accordingly.

Technical information

Voltage supply	220-240V-, 50/60Hz
Power consumption	1850-2200W
Kettle capacity	1.7L

Before First Use

- Ensure the kettle is switched off before removing it from the base.
- Please read these operating instructions thoroughly and keep.
- Fill kettle to the maximum mark and allow it to boil. Discard the boiled water and repeat the process. If any slight taste or odour remains, repeat the process once more.
- Carefully unpack the appliance and remove any packaging.
- Wipe the outside of the appliance with a soft damp cloth and dry thoroughly.
- Place the kettle on a stable, flat, heat-resistant surface. Ensure it is plugged in and positioned away from other appliances.

Operating Instructions

1. Place the kettle and power base on a flat, level surface.
2. To fill the kettle, remove it from the power base, open the lid by lifting the lid handle, then fill the kettle with the desired amount of water ensuring it is above the MIN mark and below the MAX mark.
3. Place the lid on the kettle and set it onto the power base.
4. Insert the power cord (with dry hands) into the power socket.
5. Press the ON/OFF lever. The light on the bottom edge will illuminate, and the water will begin to boil. The ON/OFF lever will automatically switch back at the end

Packaging and Recycling

The materials used for this product's packaging can be reused, recycled, and disposed of through specific waste streams.

- REUSE: Keep packaging to safely store or transport your appliance, preventing damage.

of the boiling cycle.

6. Wait until the water has finished boiling before removing the kettle from the power base.
7. Ensure the lid is securely fitted before pouring boiling water into a cup or mug to avoid scalding.

Care Instructions

- Do not clean the kettle in a dishwasher.
- Always disconnect the kettle from the mains power supply before cleaning.
- Wipe the exterior of the kettle with a soft, damp cloth. Avoid using harsh or abrasive cleaners.
- Do not submerge any part of the base, power cord or kettle in water or any other liquids.

Descaling

- The frequency of descaling depends on the water hardness in your area and how often the kettle is used.
- If the kettle switches off before boiling or has white deposits inside, it likely needs descaling.
- Use a commercially available descaling agent and not vinegar. Follow the recommended quantities set by the instructions of the descaling agent.

Our 12-Month Guarantee

In Australia, our goods come with guarantees that cannot be excluded under the Australian Consumer Law. You are entitled to a replacement or refund for a major failure and compensation for any other reasonably foreseeable losses or damage. You are also entitled to have the goods repaired if the goods fail to be of acceptable quality and the failure does not amount to a major failure.

We stand by this product and therefore, we offer a 12-month guarantee. The benefits of this guarantee are in addition to any rights and remedies imposed by the Australian Consumer Law. Our guarantee excludes normal wear and tear and instances where care and use instructions have not been followed.

What IsAlbi will do: During this guarantee period, IsAlbi will repair, replace, or refund any defective product. If identical product

is not available for replacement, a similar product may be offered. IsAlbi asks you to cover the cost of postage/transit if the product needs to be sent back to us for inspection. If IsAlbi deems the product is defective, we will reimburse your postage/transit expenses. IsAlbi will be responsible for the postage/transit of the repaired/replacement product back to you.

What to do: If a fault/defect is identified, cease using the product immediately. To make a claim on this guarantee, take the product, proof of purchase, and full details of the alleged defect to the retailer from whom the product was purchased. If you cannot access the retailer or are unsatisfied with the solution offered by the retailer, contact IsAlbi via the details below.

IsAlbi

87 Chifley Drive, Preston, Victoria 3072

P: +61 (03) 9474 1300

E: enquiries@isalbi.com.au

isalbi.com.au