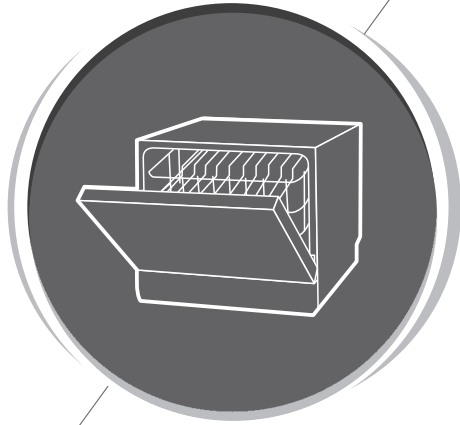


| | | | | | | | | | | | | | | | | | | | | | | | | | | | | | | |
|---|--|-----|----|-------|----|----|---|----|----|------------|----|----|--|--|--|--|--|---|---|--|-------|-------|----|-----|--|--|------------|----------|--|--|
| A | 1 | | | | | | 2 | | | | | | | | | | | | | | | | | | | | | | | |
| | | | | | | | | | | | | | | | | | | | | | | | | | | | | | | |
| B | <p>技术要求：</p> <ol style="list-style-type: none"> 1. 该手册印刷颜色均为黑色 :PANTONE BLACK C 2. 纸张规格为A5, 请按A4规格制作印刷 3. 如果供应商的排版需要加空白页，请加在封底之前 | | | | | | | | | | | | | | | | | | | | | | | | | | | | | |
| | | | | | | | | | | | | | | | | | | | | | | | | | | | | | | |
| C | | | | | | | | | | | | | | | | | | | | | | | | | | | | | | |
| | | | | | | | | | | | | | | | | | | | | | | | | | | | | | | |
| D | | | | | | | 用户手册 BDW-6-021-BK(36021-AU) Devanti澳大利亚 | | | 6710025278 | | | | | | | | | | | | | | | | | | | | |
| | <table border="1"> <tr> <td>标记</td> <td>处数</td> <td>分区</td> <td>更改文件号</td> <td>签名</td> <td>日期</td> </tr> <tr> <td> </td> <td> </td> <td> </td> <td> </td> <td> </td> <td> </td> </tr> </table> | | | | | | 标记 | 处数 | 分区 | 更改文件号 | 签名 | 日期 | | | | | | | <table border="1"> <tr> <td>阶段标记</td> <td colspan="2">比例</td> </tr> <tr> <td> </td> <td colspan="2"> </td> </tr> </table> | | | 阶段标记 | 比例 | | | | | 80G双胶 | | |
| | 标记 | 处数 | 分区 | 更改文件号 | 签名 | 日期 | | | | | | | | | | | | | | | | | | | | | | | | |
| | | | | | | | | | | | | | | | | | | | | | | | | | | | | | | |
| | 阶段标记 | 比例 | | | | | | | | | | | | | | | | | | | | | | | | | | | | |
| | | | | | | | | | | | | | | | | | | | | | | | | | | | | | | |
| | <table border="1"> <tr> <td>编制</td> <td colspan="3">校对</td> <td colspan="2"> </td> </tr> <tr> <td> </td> <td colspan="3"> </td> <td colspan="2"> </td> </tr> </table> | | | | | | 编制 | 校对 | | | | | | | | | | | <table border="1"> <tr> <td>REV.</td> <td>00</td> <td>1:1</td> </tr> <tr> <td> </td> <td> </td> <td> </td> </tr> </table> | | | REV. | 00 | 1:1 | | | | 佛山市顺德区美的 | | |
| 编制 | 校对 | | | | | | | | | | | | | | | | | | | | | | | | | | | | | |
| | | | | | | | | | | | | | | | | | | | | | | | | | | | | | | |
| REV. | 00 | 1:1 | | | | | | | | | | | | | | | | | | | | | | | | | | | | |
| | | | | | | | | | | | | | | | | | | | | | | | | | | | | | | |
| <table border="1"> <tr> <td>审核</td> <td colspan="3">性能</td> <td colspan="2"> </td> </tr> <tr> <td> </td> <td colspan="3"> </td> <td colspan="2"> </td> </tr> </table> | | | | | | 审核 | 性能 | | | | | | | | | | | <table border="1"> <tr> <td>数量</td> <td colspan="2">重量</td> </tr> <tr> <td> </td> <td colspan="2"> </td> </tr> </table> | | | 数量 | 重量 | | | | | 洗滌电器制造有限公司 | | | |
| 审核 | 性能 | | | | | | | | | | | | | | | | | | | | | | | | | | | | | |
| | | | | | | | | | | | | | | | | | | | | | | | | | | | | | | |
| 数量 | 重量 | | | | | | | | | | | | | | | | | | | | | | | | | | | | | |
| | | | | | | | | | | | | | | | | | | | | | | | | | | | | | | |
| <table border="1"> <tr> <td>审定</td> <td colspan="3">排版</td> <td colspan="2"> </td> </tr> <tr> <td> </td> <td colspan="3"> </td> <td colspan="2"> </td> </tr> </table> | | | | | | 审定 | 排版 | | | | | | | | | | | <table border="1"> <tr> <td>1</td> <td colspan="2"> </td> </tr> <tr> <td> </td> <td colspan="2"> </td> </tr> </table> | | | 1 | | | | | | | | | |
| 审定 | 排版 | | | | | | | | | | | | | | | | | | | | | | | | | | | | | |
| | | | | | | | | | | | | | | | | | | | | | | | | | | | | | | |
| 1 | | | | | | | | | | | | | | | | | | | | | | | | | | | | | | |
| | | | | | | | | | | | | | | | | | | | | | | | | | | | | | | |
| <table border="1"> <tr> <td>批准</td> <td colspan="3">日期</td> <td colspan="2"> </td> </tr> <tr> <td> </td> <td colspan="3"> </td> <td colspan="2"> </td> </tr> </table> | | | | | | 批准 | 日期 | | | | | | | | | | | <table border="1"> <tr> <td>共 1 张</td> <td colspan="2">第 1 张</td> </tr> <tr> <td> </td> <td colspan="2"> </td> </tr> </table> | | | 共 1 张 | 第 1 张 | | | | | | | | |
| 批准 | 日期 | | | | | | | | | | | | | | | | | | | | | | | | | | | | | |
| | | | | | | | | | | | | | | | | | | | | | | | | | | | | | | |
| 共 1 张 | 第 1 张 | | | | | | | | | | | | | | | | | | | | | | | | | | | | | |
| | | | | | | | | | | | | | | | | | | | | | | | | | | | | | | |



Dishwasher Instruction Manual

PART I : Generic Version

PART II : Special Version

BDW-6-02I-BK

DEVANTI

Please read this manual carefully
before using the dishwasher and
Keep this manual for future reference.

CONTENTS

| | | |
|----|----|---|
| 01 | 3 | SAFETY INFORMATION |
| 02 | 8 | PRODUCT OVERVIEW |
| 03 | 9 | MAINTENANCE AND CLEANING |
| | 9 | External Care |
| | 9 | Internal Care |
| | 11 | Caring For The Dishwasher |
| 04 | 13 | INSTALLATION INSTRUCTION |
| | 13 | About Power Connection |
| | 14 | Water Supply And Drain |
| | 15 | Connection Of Drain Hoses |
| | 16 | Position The Appliance |
| | 16 | Built-In Installation |
| 05 | 21 | TROUBLESHOOTING TIPS |
| 06 | 24 | LOADING THE BASKETS ACCORDING TO AS/NZS 2007.1 |

NOTE:

- Reviewing the section on troubleshooting Tips will help you solve some common problems by yourself.
- If you cannot solve the problems by yourself, please ask for help from a professional technician.
- The manufacturer, following a policy of constant development and updating of the product, may make modifications without giving prior notice.
- If lost or out-of-date, you can receive a new user manual from the manufacturer or responsible vendor.

SAFETY INFORMATION

⚠ WARNING

When using your dishwasher, follow the precautions listed below:

- Installation and repair can only be carried out by a qualified technician
- This appliance is intended to be used in household and similar applications such as:
 - staff kitchen areas in shops, offices and other working environments;
 - farm houses;
 - by clients in hotels, motels and other residential type environments;
 - bed and breakfast type environments.
- This appliance can be used by children aged from 8 years and above and persons with reduced physical, sensory or mental capabilities or lack of experience and knowledge if they have been given supervision or instruction concerning use of the appliance in a safe way and understand the hazards involved.
- Children shall not play with the appliance. Cleaning and user maintenance shall not be done by children without supervision. (For EN60335-1)
This appliance is not intended for use by persons (including children) with reduced physical, sensory or

mental capabilities, or lack of experience and knowledge, unless they have been given supervision or instruction concerning use of the appliance by a person responsible for their safety. (For IEC60335-1)

- Packaging material could be dangerous for children!
- This appliance is for indoor household use only.
To protect against the risk of electrical shock, do not immerse the unit, cord or plug in water or other liquid.
- Please unplug before cleaning and performing maintenance on the appliance.
- Use a soft cloth moistened with mild soap, and then use a dry cloth to wipe it again.



Earthing Instructions

- This appliance must be earthed. In the event of a malfunction or breakdown, earthing will reduce the risk of an electric shock by providing a path of least resistance of electric current. This appliance is equipped with an earthing conductor plug.
- The plug must be plugged into an appropriate outlet that is installed and earthed in accordance with all local codes and ordinances.
- Improper connection of the equipment-earthing conductor can result in the risk of an electric shock.
- Check with a qualified electrician or service representative if you are in doubt whether the appliance is properly grounded.

- Do not modify the plug provided with the appliance; If it does not fit the outlet.
- Have a proper outlet installed by a qualified electrician.
- Do not abuse, sit on, or stand on the door or dish rack of the dishwasher.
- Do not operate your dishwasher unless all enclosure panels are properly in place.
- Open the door very carefully if the dishwasher is operating, there is a risk of water squirting out.
- Do not place any heavy objects on or stand on the door when it is open. The appliance could tip forward.
- When loading items to be washed:
 - 1) Locate sharp items so that they are not likely to damage the door seal;
 - 2) Warning: Knives and other utensils with sharp points must be loaded in the basket with their points facing down or placed in a horizontal position.
- Some dishwasher detergents are strongly alkaline. They can be extremely dangerous if swallowed. Avoid contact with the skin and eyes and keep children away from the dishwasher when the door is open.
- Check that the detergent powder is empty after completion of the wash cycle.

- Do not wash plastic items unless they are marked “dishwasher safe” or the equivalent.
- For unmarked plastic items not so marked, check the manufacturer's recommendations.
- Use only detergent and rinse agents recommended for use in an automatic dishwasher.
- Never use soap, laundry detergent, or hand washing detergent in your dishwasher.
- The door should not be left open, since this could increase the risk of tripping.
If the supply cord is damaged, it must be replaced by the manufacturer or its service agent or a similarly qualified person in order to avoid a hazard.
- During installation, the power supply must not be excessively or dangerously bent or flattened.
- Do not tamper with controls.
- The appliance needs to be connected to the main water valve using new hose sets. Old sets should not be reused.
- To save energy, in stand by mode , the appliance will switch off automatically while there is no any operation in 30 minutes .

Disposal

- For disposing of package and the appliance please go to a recycling center. Therefore cut off the power supply cable and make the door closing device unusable.

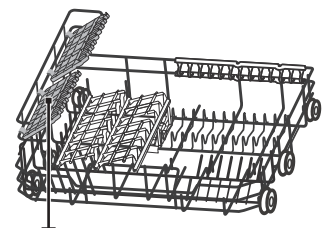
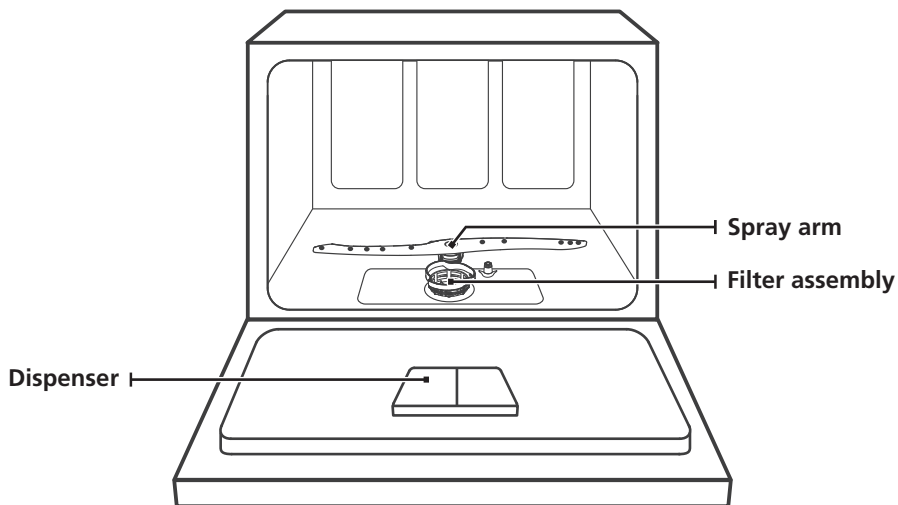


- Cardboard packaging is manufactured from recycled paper and should be disposed in the waste paper collection for recycling.
- By ensuring this product is disposed of correctly, you will help prevent potential negative consequences for the environment and human health, which could otherwise be caused by inappropriate waste handling of this product.
- For more detailed information about recycling of this product, please contact your local city office and your household waste disposal service.
- **DISPOSAL: Do not dispose this product as unsorted municipal waste. Collection of such waste separately for special treatment is necessary.**

PRODUCT OVERVIEW

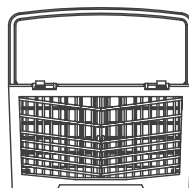
❗ IMPORTANT:

To get the best performance from your dishwasher, read all operating instructions before using it for the first time.



Cup rack

Basket



Cutlery rack

💡 NOTE:

Pictures are only for reference, different models may be different.
Please prevail in kind.

MAINTENANCE AND CLEANING

External Care

The door and the door seal

Clean the door seals regularly with a soft damp cloth to remove food deposits. When the dishwasher is being loaded, food and drink residues may drip onto the sides of the dishwasher door. These surfaces are outside the wash cabinet and are not accessed by water from the spray arms. Any deposits should be wiped off before the door is closed.

The control panel

If cleaning is required, the control panel should be wiped with a soft damp cloth only.

WARNING

- To avoid penetration of water into the door lock and electrical components, do not use a spray cleaner of any kind.
- Never use abrasive cleaners or scouring pads on the outer surfaces because they may scratch the finish. Some paper towels may also scratch or leave marks on the surface.

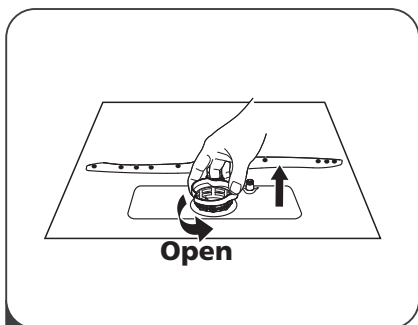
Internal Care

Filtering system

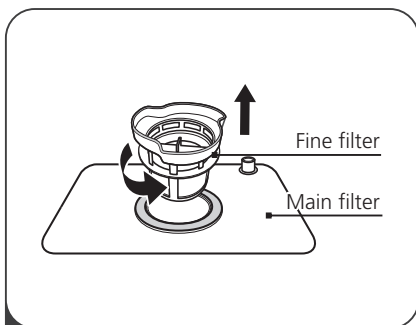
The filtering system in the base of the wash cabinet retains coarse debris from the washing cycle. The collected coarse debris may cause the filters to clog. Check the condition of the filters regularly and clean them if necessary under running water. Follow the steps below to clean the filters in the wash cabinet.

NOTE:

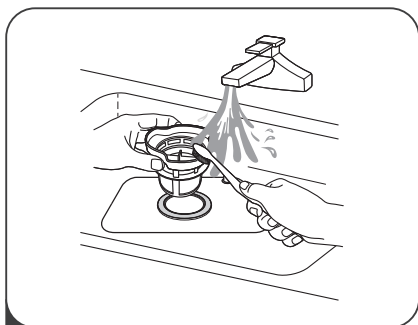
Pictures are only for reference, different models of the filtering system and spray arms may be different.



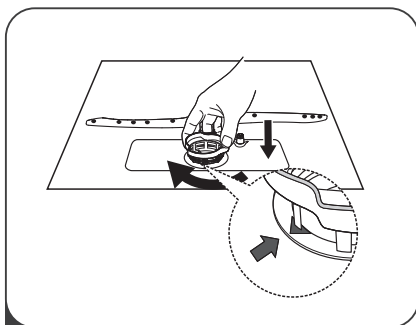
- 1** Hold the coarse filter and rotate it anticlockwise to unlock the filter. Lift the filter upwards and out of the dishwasher.



- 2** Lift fine filter up from main filter.



- 3** Larger food remnants can be cleaned by rinsing the filter under running water. For a more thorough clean, use a soft cleaning brush.



- 4** Reassemble the filters in the reverse order of the disassembly, replace the filter insert, and rotate clockwise to the close arrow.

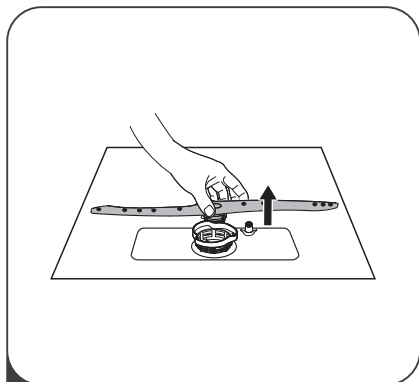
⚠ WARNING

- Do not over tighten the filters. Put the filters back in sequence securely, otherwise coarse debris could get into the system and cause a blockage.
- Never use the dishwasher without filters in place. Improper replacement of the filter may reduce the performance level of the appliance and damage dishes and utensils.

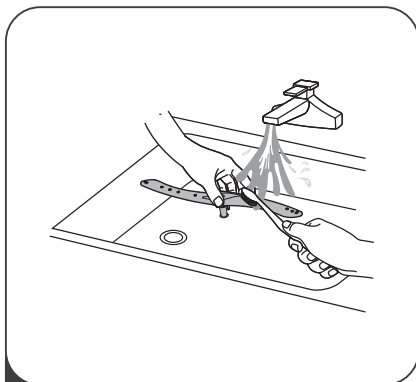
Spray arms

It is necessary to clean the spray arms regularly for hard water chemicals will clog the spray arm jets and bearings.

To clean the spray arms, follow the instructions below:



- 1 To remove the lower spray arm, pull out the spray arm upward.



- 2 Wash the arms in soapy and warm water and use a soft brush to clean the jets. Replace them after rinsing them thoroughly.

Caring For The Dishwasher

Frost precaution

please take frost protection measures on the dishwasher in winter. Every fter washing cycles, please operate as follows:

1. Cut off the electrical power to the dishwasher at the supply source.
2. Turn off the water supply and disconnect the water inlet pipe from the water valve.
3. Drain the water from the inlet pipe and water valve. (Use a pan to gather the water)
4. Reconnect the water inlet pipe to the water valve.
5. Remove the filter at the bottom of the tub and use a sponge to soak up water in the sump.

After every wash

After every wash, turn off the water supply to the appliance and leave the door slightly open so that moisture and odors are not trapped inside.

Remove the plug

Before cleaning or performing maintenance, always remove the plug from the socket.

No solvents or abrasive cleaning

To clean the exterior and rubber parts of the dishwasher, do not use solvents or abrasive cleaning products. Only use a cloth with warm soapy water.

To remove spots or stains from the surface of the interior, use a cloth dampened with water and a little vinegar, or a cleaning product made specifically for dishwashers.

When not in use for a long time

It is recommended that you run a wash cycle with the dishwasher empty and then remove the plug from the socket, turn off the water supply and leave the door of the appliance slightly open. This will help the door seals to last longer and prevent odors from forming within the appliance.

Moving the appliance

If the appliance must be moved, try to keep it in the vertical position. If absolutely necessary, it can be positioned on its back.

Seals

One of the factors that cause odours to form in the dishwasher is food that remains trapped in the seals. Periodic cleaning with a damp sponge will prevent this from occurring.

INSTALLATION INSTRUCTION

⚠ WARNING



Electrical Shock Hazard

Disconnect electrical power before installing dishwasher.

Failure to do so could result in death or electrical shock.

⚠ Attention

The installation of the pipes and electrical equipments should be done by professionals.

About Power Connection

⚠ WARNING

For personal safety:

- Do not use an extension cord or an adapter plug with this appliance.
- Do not, under any circumstances, cut or remove the earthing connection from the power cord.

Electrical requirements

Please look at the rating label to know the rating voltage and connect the dishwasher to the appropriate power supply. Use the required fuse 10A/13A/16A, time delay fuse or circuit breaker recommended and provide separate circuit serving only this appliance.

Electrical connection

Ensure the voltage and frequency of the power being corresponds to those on the rating plate. Only insert the plug into an electrical socket which is earthed properly. If the electrical socket to which the appliance must be connected is not appropriate for the plug, replace the socket, rather than using a adaptors or the like as they could cause overheating and burns.

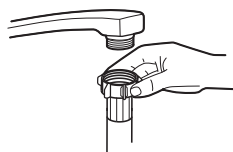
⚠ Ensure that proper earthing exists before use

Water Supply And Drain

Cold water connection

Connect the cold water supply hose to a threaded 3/4(inch) connector and make sure that it is fastened tightly in place.

If the water pipes are new or have not been used for an extended period of time, let the water run to make sure that the water is clear. This precaution is needed to avoid the risk of the water inlet to be blocked and damage the appliance.



ordinary supply hose



safety supply hose

About the safety supply hose

The safety supply hose consists of the double walls. The hose's system guarantees its intervention by blocking the flow of water in case of the supply hose breaking and when the air space between the supply hose itself and the outer corrugated hose is full of water.

⚠ WARNING

A hose that attaches to a sink spray can burst if it is installed on the same water line as the dishwasher. If your sink has one, it is recommended that the hose be disconnected and the hole plugged.

How to connect the safety supply hose

1. Pull The safety supply hoses completely out from storage compartment located at rear of dishwasher.
2. Tighter the screws of the safety supply hose to the faucet with thread 3/4inch.
3. Turn water fully on before starting the dishwasher.

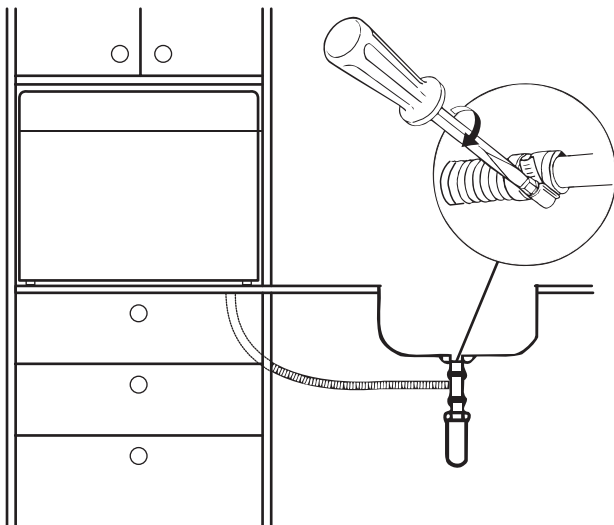
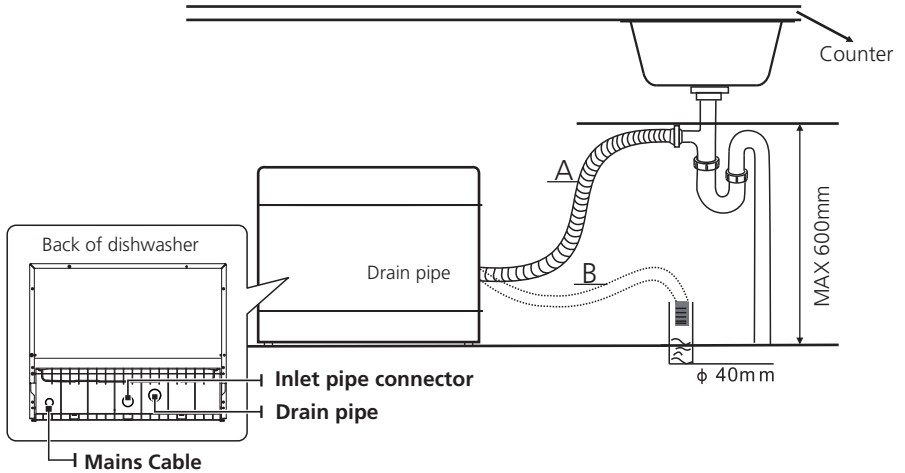
How to disconnect the safety supply hose

1. Turn off the water.
2. Unscrew the safety supply hose from the faucet.

Connection Of Drain Hoses

Insert the drain hose into a drain pipe with a minimum diameter of 4 cm, or let it run into the sink, making sure to avoid bending or crimping it. The height of drain pipe must be less than 600mm. The free end of the hose must not be immersed in water to avoid the back flow of it.

⚠ Please securely fix the drain hose in either position A or position B



How to drain excess water from hoses

If the sink is 1000 higher from the floor, the excess water in hoses cannot be drained directly into the sink. It will be necessary to drain excess water from hoses into a bowl or suitable container that is held outside and lower than the sink.

Water outlet

Connect the water drain hose. The drain hose must be correctly fitted to avoid water leaks. Ensure that the water drain hose is not kinked or squashed.

Extension hose

If you need a drain hose extension, make sure to use a similar drain hose. It must be no longer than 4 meters; otherwise the cleansing effect of the dishwasher could be reduced.

Syphon connection

The waste connection must be at a height less than 100 cm (maximum) from the bottom of the dish. The water drain hose should be fixed .

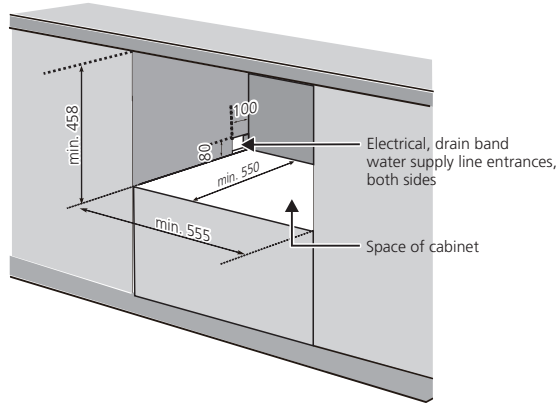
Position The Appliance

Position the appliance in the desired location. The back should rest against the wall behind it, and the sides, along the adjacent cabinets or walls. The dishwasher is equipped with water supply and drain hoses that can be positioned either to the right or the left sides to facilitate proper installation.

Built-In Installation

Step 1a:

If only the body into cabinets, please make this map the size of the cabinet hole.

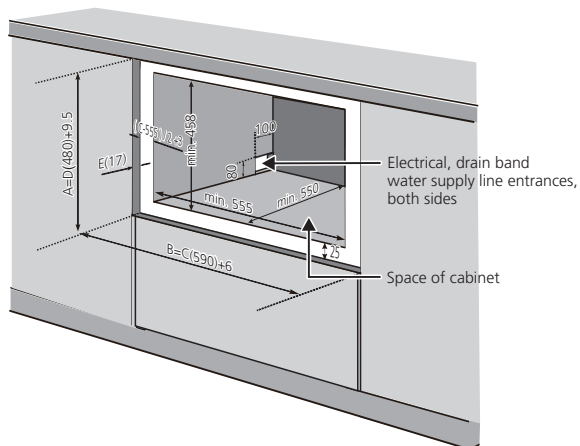


Step 1b:

If the entire decorative panel into the cabinet also, the size of A should be equal to $D + 9.5$; size B should be equal to $C + 6$;

Meanwhile, the cabinet around the inward booster:

both sides of the $(C - 555) / 2 + 3$; C, D and E as the second step within the relevant size decorative panels.



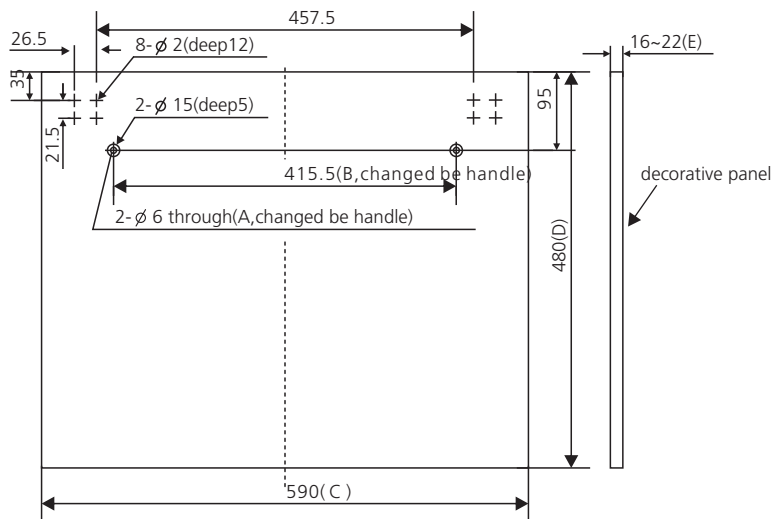
Step 2: Aesthetic panel's dimensions and installation

Weight of the decorative panel should be min 3Kg-max 4Kg.

Dim. A and B could be alterable by handle,

Dim. C, D and E could be alterable by fact,

Dim. E should be in range 16~22mm, besides the appliance assembling decorative panel.

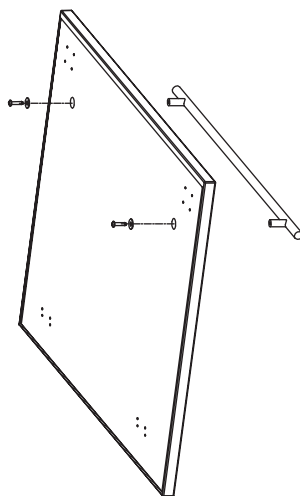


(Unit: mm)

Step 3: Assemble the decorative panel

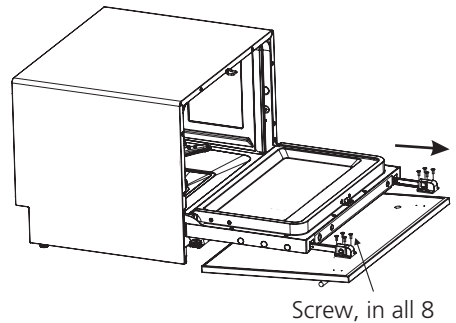
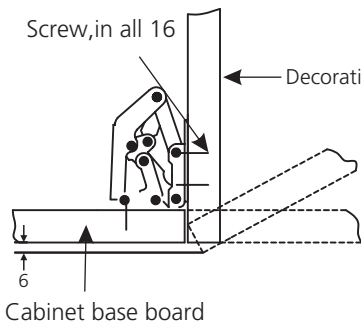
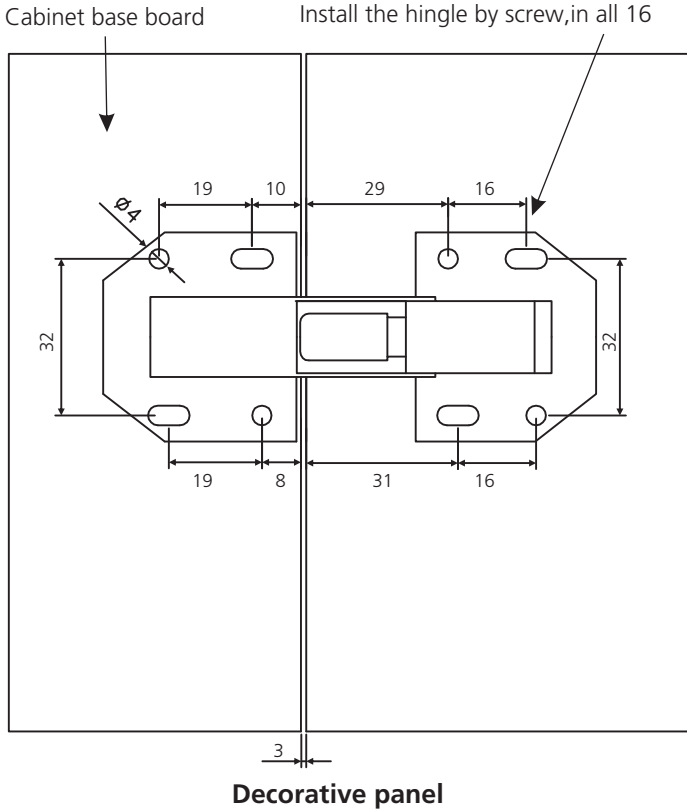
💡 NOTE:

If the machine with a decorative plate,
no this step.

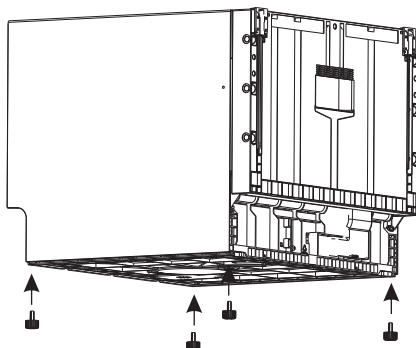


Step 4:

Assemble the decorative door on the dishwasher, as figure. First install screw between the cabinet base board and decorative panel, in all 16; then pull glide from out door panel groove, case 8-screw between decorative panels and glide .

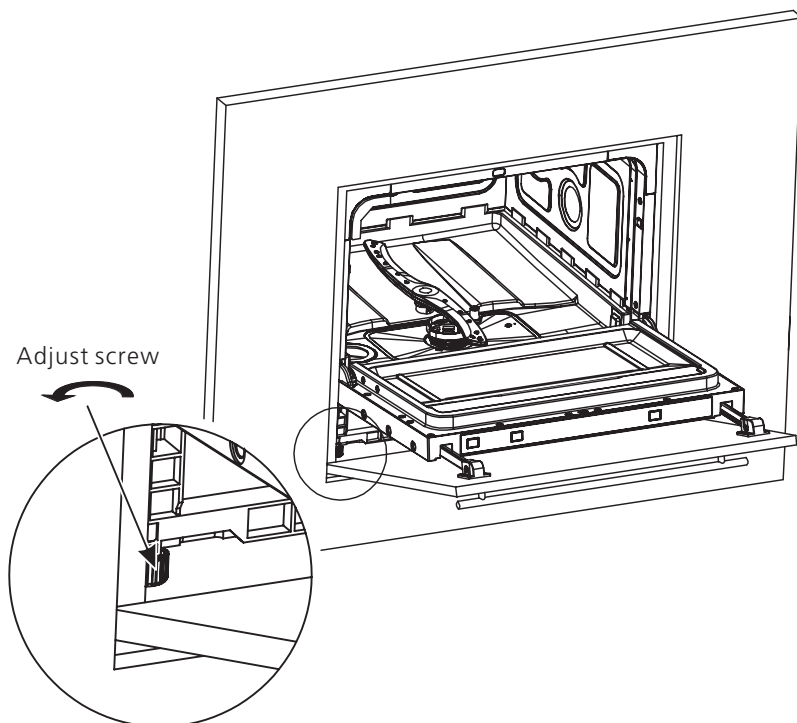


Step 5: Install the adjust screw into the base



Step 6:

Install the dishwasher in aperture, but not full, as figure, adjust screw, let its bottom align aperture's base, then push dishwasher full.



TROUBLESHOOTING TIPS

Before Calling For Service

Reviewing the charts on the following pages may save you from calling for service.

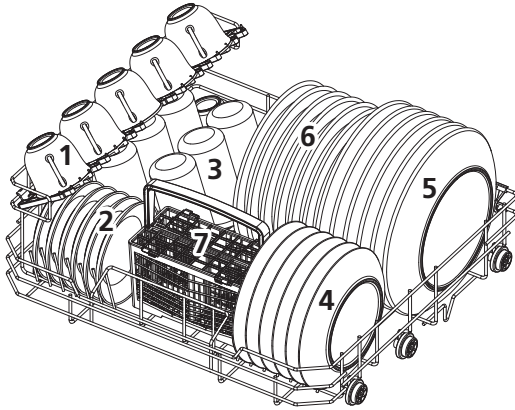
| Problem | Possible causes | Solution |
|----------------------------------|--|--|
| Dishwasher doesn't start | Fuse blown, or the circuit breaker tripped. | Replace fuse or reset circuit breaker. Remove any other appliances sharing the same circuit with the dishwasher. |
| | Power supply is not turned on. | Make sure the dishwasher is turned on and the door is closed securely. Make sure the power cord is properly plugged into the wall socket. |
| | Door of dishwasher not properly closed. | Make sure to close the door properly and latch it. |
| Water not pumped from dishwasher | Kink in drain hose | Check drain hose. |
| | Filter clogged. | Check the coarse filter. (see section titled " Internal Care ") |
| | Kitchen sink clogged. | Check the kitchen sink to make sure it is draining well. If the problem is the kitchen sink that is not draining , you may need a plumber rather than a serviceman for dishwashers. |
| Suds in the tub | Improper detergent | Use only the special dishwasher detergent to avoid suds. If this occurred, open the dishwasher and let suds evaporate. Add 1 gallon of cold water to the tub. Close and latch the dishwasher, then Start any wash cycle to drain out the water. Repeat if necessary. |
| | Spilled rinse-aid. | Always wipe up rinse-aid spills immediately. |
| Stained tub interior | Detergent with colourant may have been used. | Make sure that the detergent has no colourant. |
| White film on inside surface | Hard water minerals. | To clean the interior, use a damp sponge with dishwasher detergent and wear rubber gloves. Never use any other cleaner than dishwasher detergent for the risk of foaming or suds. |

| Problem | Possible Causes | What To Do |
|------------------------------------|--|---|
| There are rust stains on cutlery | The affected items are not corrosion resistant. | Avoid washing items that are not corrosion resistant in the dishwasher. |
| Knocking noise in the wash cabinet | The spray arm is knocking against an item in a basket. | Interrupt the program, and rearrange the items which are obstructing the spray arm. |
| Rattling noise in the wash cabinet | Item of crockery are loose in the wash cabinet. | Interrupt the program, and rearrange the items of crockery. |
| Knocking noise in the water pipes | This may be caused by on-site installation or the cross-section of the piping. | This has no influence on the dishwasher function. If in doubt, contact a qualified plumber. |
| The dishes are not clean | The dishes were not loaded correctly. | See PART II "Preparing And Loading Dishes". |
| | The program was not powerful enough. | Select a more intensive program. |
| | Not enough detergent was dispensed. | Use more detergent, or change your detergent. |
| | Item are blocking the path of spray arms. | Rearrange the items so that the spray can rotate freely. |
| | The filter combination in the base of wash cabinet is not clean or is not correctly fitted. This may cause the spray arm jets to get blocked. | Clean and/or fit the filter correctly. Clean the spray arm jets. |
| Cloudiness on glassware. | Combination of soft water and too much detergent. | Use less detergent if you have soft water and select a shorter cycle to wash the glassware and to get them clean. |
| Black or grey marks on dishes | Aluminium utensils have rubbed against dishes | Use a mild abrasive cleaner to eliminate those marks. |

| Problem | Possible Causes | What To Do |
|----------------------------------|--|--|
| Detergent left in dispenser cups | Dishes block detergent dispenser cups | Re-loading the dishes properly. |
| The dishes aren't drying | Improper loading | Load the dishwasher as suggested in the directions. |
| | Too little rinse-aid | Increase the amount of rinse-aid / Refill the rinse-aid dispenser. |
| | Dishes are removed too soon | Do not empty your dishwasher immediately after washing. Open the door slightly so that the steam can escape. Begin unloading the dishwasher only once the dishes are barely warm to the touch. Empty the low basket first. This prevents water from dropping off dishes in the upper basket. |
| | Wrong program has been selected. | In short programs the washing temperature is lower. This also lowers cleaning performance. Choose a program with a long washing time. |
| | Use of cutlery with a low-quality coating. | Water drainage is more difficult with these items. Cutlery or dishes of this type are not suitable for washing in the dishwasher. |

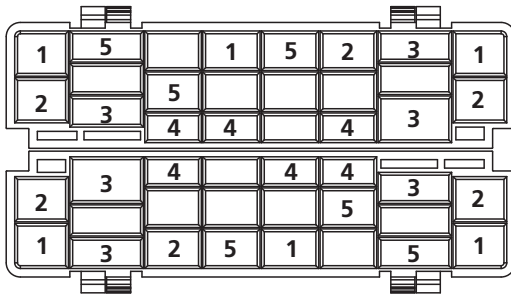
LOADING THE BASKETS ACCORDING TO AS/NZS 2007.1:

1.Upper basket:

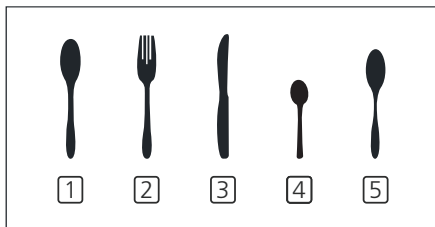


| Number | Item |
|--------|----------------|
| 1 | Cups |
| 2 | Saucers |
| 3 | Glasses |
| 4 | Dessert dishes |
| 5 | Dinner plates |
| 6 | Soup plates |
| 7 | Cutlery basket |

2.Cutlery basket:

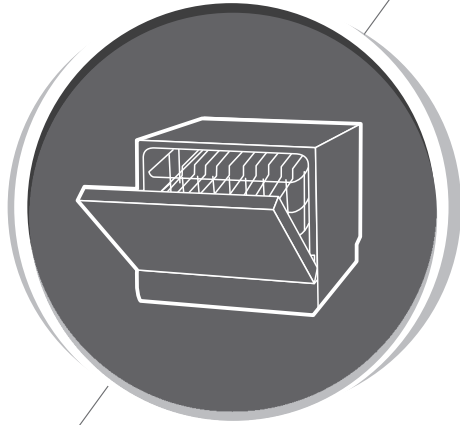


| Number | Item |
|--------|----------------|
| 1 | Soup spoons |
| 2 | Forks |
| 3 | Knives |
| 4 | Teaspoons |
| 5 | Dessert spoons |



Information for comparability tests in accordance with (*AS/NZS 2007.1)

- Capacity: 6 place settings
- Program: ECO
- Rinse aid setting: 6
- Detergent(Pre/main): 5/17.5g
- Door is open at the end of the drying cycle for the drying performance test (Door position: Open 50 mm)



Dishwasher

Instruction Manual

PART II: Special Version
BDW-6-021-BK

DEVANTI

Please read this manual carefully
before using the dishwasher and
Keep this manual for future reference.

CONTENTS

| | | |
|----|-----------|---|
| 01 | 4 | USING YOUR DISHWASHER |
| | 4 | Control Panel |
| | 6 | Water Softener |
| | 7 | Preparing And Loading Dishes |
| | 10 | Function Of The Rinse Aid And Detergent |
| 02 | 11 | Filling The Rinse Aid Reservoir |
| | 12 | Filling The Detergent Dispenser |
| | 13 | PROGRAMMING THE DISHWASHER |
| | 13 | Wash Cycle Table |
| | 14 | Starting A Cycle Wash |
| 03 | 14 | Changing The Program Mid-cycle |
| | 15 | Forget To Add A Dish? |
| | 16 | ERROR CODES |
| 04 | 17 | TECHNICAL INFORMATION |

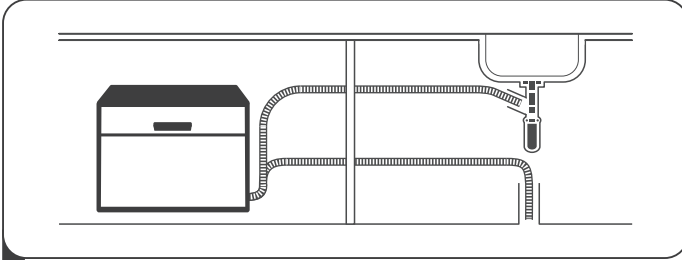


NOTE:

- If you cannot solve the problems by yourself, please ask for help from a professional technician.
- The manufacturer, following a policy of constant development and updating of the product, may make modifications without giving prior notice.
- If lost or out-of-date, you can receive a new user manual from the manufacturer or responsible vendor.

QUICK USER GUIDE

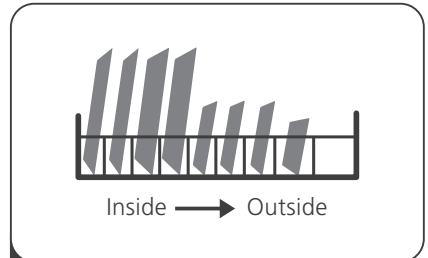
Please read the corresponding content on the instruction manual for detailed operating method.



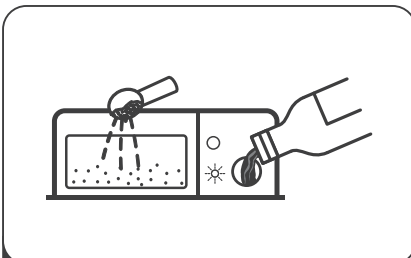
- 1 Install the dishwasher
(Please check the section 5 "INSTALLATION INSTRUCTION" of PART I : Generic Version.)



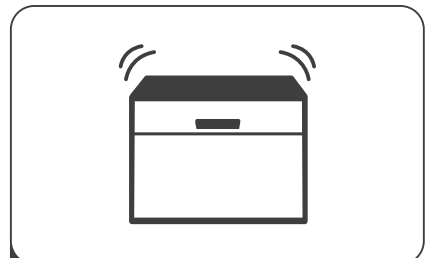
- 2 Removing the larger residue on the cutlery



- 3 Loading the baskets



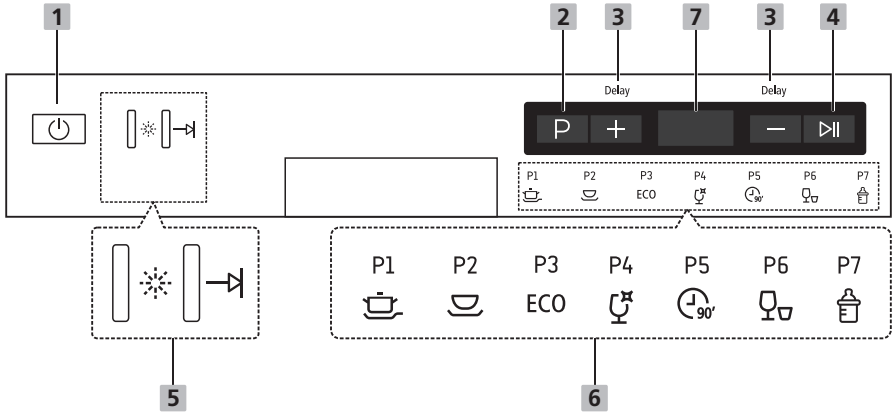
- 4 Filling the dispenser



- 5 Selecting a program and running the dishwasher

USING YOUR DISHWASHER










Control Panel



Operation (Button)

| | |
|------------------------|--|
| 1 Power | Press this button to turn on your dishwasher, the screen lights up. |
| 2 Program | Press this button to select the appropriate washing program, the selected program indicator will be lit. |
| 3 Delay +/- | Press the button to add or decrease the delay time, maximum 24 hours delay can be defined. |
| 4 Start / Pause | To start the selected washing program or pause it when the dishwasher is working. |

Display

| | |
|-----------------------------------|---|
| <p>5 Warning indicator</p> | <p> Rinse Aid If the “  ” indicator is lit, it means the dishwasher is low on dishwasher rinse aid and requires a refill.</p> <p> Program end when the program is end,the indicator will be lit.</p> |
| <p>6 Program indicator</p> | <p> Intensive Heavily soiled items include pots and pans. With dried on food.</p> <p> Normal For normally soiled loads, such as pots, plates, glasses and lightly soiled pans.</p> <p>ECO ECO This is the standard program suitable for normally soiled loads, such as pots, plates, glasses and lightly soiled pans.</p> <p> Glass For lightly soiled crockery and glass.</p> <p> 90 Min For normally soiled loads that need quick wash.</p> <p> Rapid A shorter wash for lightly soiled loads that do not need drying.</p> <p> Baby care For washing baby bottles.</p> |
| <p>7 screen</p> | <p>To show the reminding time and the state(running state, delay time and check messageetc) . If an problem occurs during an operation, an check message is displayed with a warning sound. Refer to the “Error codes” section.</p> |

Water Softener

The water softener must be set manually, using the water hardness dial.

The water softener is designed to remove minerals and salts from the water, which would have a detrimental or adverse effect on the operation of the appliance.

The more minerals there are, the harder your water is.

The softener should be adjusted according to the hardness of the water in your area. Your local Water Authority can advise you on the hardness of the water in your area.

Adjusting salt consumption

The dishwasher is designed to allow for adjustment in the amount of salt consumed based on the hardness of the water used. This is intended to optimise and customise the level of salt consumption.

Please follow the steps below for adjustment in salt consumption.

1. Switch on the appliance;
2. Press the Start/Pause button for more than 5 seconds to start the water softener set model within 60seconds after the appliance was switched on;
3. Press the Start/Pause button to select the proper set according to your local environment, the sets will change in the following sequence:
H1->H2->H3->H4->H5->H6;
4. Without any operation in five seconds, the machine will exit from set mode, the machine is into standby status

| WATER HARDNESS | | Setting on the water softener | Digital display stalls |
|-------------------|----------------------|-------------------------------|------------------------|
| °dH ¹⁾ | Mmol/l ²⁾ | | |
| 0 - 5 | 0 - 0.94 | 1 | H1 |
| 6 - 11 | 1.0 - 2.0 | 2 | H2 |
| 12 - 17 | 2.1 - 3.0 | 3 | H3 |
| 18 - 22 | 3.1 - 4.0 | 4 * | H4 |
| 23 - 34 | 4.1 - 6.1 | 5 | H5 |
| 35 - 45 | 6.2 - 8.0 | 6 | H6 |

1) German degree of measurement for the water hardness

2) millimol, international unit for water hardness

* factory setting



Please check the section 3 “Loading The Salt Into The Softener” of PART I : Generic Version, If your dishwasher lacks salt.



NOTE:

If your model does not have any water softener, you may skip this section.

Water Softener

The hardness of the water varies from place to place. If hard water is used in the dishwasher, deposits will form on the dishes and utensils.

The appliance is equipped with a special softener that uses a salt container specifically designed to eliminate lime and minerals from the water.

Preparing And Loading Dishes

- Consider buying utensils which are identified as dishwasher-proof.
- For particular items, select a program with the lowest possible temperature.
- To prevent damage, do not take glass and cutlery out of the dishwasher immediately after the program has ended.

For washing the following cutlery/dishes

Are not suitable

- Cutlery with wooden, horn china or mother-of-pearl handles
- Plastic items that are not heat resistant
- Older cutlery with glued parts that are not temperature resistant
- Bonded cutlery items or dishes
- Pewter or cooper items
- Crystal glass
- Steel items subject to rusting
- Wooden platters
- Items made from synthetic fibres

Are of limited suitability

- Some types of glasses can become dull after a large number of washes
- Silver and aluminum parts have a tendency to discolour during washing
- Glazed patterns may fade if machine washed frequently

Recommendations for loading the dishwasher

Scrape off any large amounts of leftover food. Soften remnants of burnt food in pans. It is not necessary to rinse the dishes under running water.

For best performance of the dishwasher, follow these loading guidelines.

(Features and appearance of baskets and cutlery baskets may vary from your model.)

Place objects in the dishwasher in following way:

- Items such as cups, glasses, pots/pans, etc. are faced downwards.
- Curved items, or ones with recesses, should be loaded aslant so that water can run off.
- All utensils are stacked securely and can not tip over.
- All utensils are placed in the way that the spray arms can rotate freely during washing.
- Load hollow items such as cups, glasses, pans etc. With the opening facing downwards so that water cannot collect in the container or a deep base.
- Dishes and items of cutlery must not lie inside one another, or cover each other.
- To avoid damage, glasses should not touch one another.
- The upper basket is designed to hold more delicate and lighter dishware such as glasses, coffee and tea cups.
- Long bladed knives stored in an upright position are a potential hazard!
- Long and / or sharp items of cutlery such as carving knives must be positioned horizontally in the upper basket.
- Please do not overload your dishwasher. This is important for good results and for reasonable consumption of energy.

NOTE:

Very small items should not be washed in the dishwasher as they could easily fall out of the basket.

Removing the dishes

To prevent water dripping from the upper basket into the lower basket, we recommend that you empty the lower basket first, followed by the upper basket.

WARNING

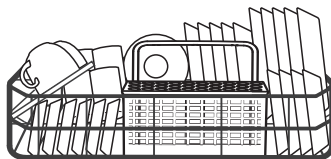


Items will be hot! To prevent damage, do not take glass and cutlery out of the dishwasher for around 15 minutes after the program has ended.

Loading the basket

All tableware can't be placed face up, in order to improve the cleaning area and washing performance, it is recommended to place the dirty side towards the spray arm.

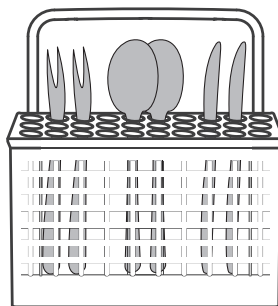
Please don't let tableware out of basket bottom to make sure not block the moving of the spray arm. The maximum diameter advised for plates in front of the detergent dispenser is of 19 cm, this not to hamper the opening of it.



Loading the cutlery basket

For personal safety and a top quality cleaning, place the silverware in the basket making sure that:

- They do not nest together.
- Silverware is placed with the handles-down.
- But place knives and other potentially dangerous utensils are placed handles-up.



⚠ WARNING



Do not let any item extend through the bottom.
Always load sharp utensils with the sharp point down!



For the best washing effect, please load the baskets refer to standard loading options on last section of PART I : Generic Version


Function Of The Rinse Aid And Detergent

The rinse aid is released during the final rinse to prevent water from forming droplets on your dishes, which can leave spots and streaks. It also improves drying by allowing water to roll off the dishes. Your dishwasher is designed to use liquid rinse aids.

⚠ WARNING

Only use branded rinse aid for dishwasher. Never fill the rinse aid dispenser with any other substances (e.g. Dishwasher cleaning agent, liquid detergent). This would damage the appliance.

When to refill the rinse aid dispenser

Unless the rinse-aid warning light () on the control panel is on, you can always estimate the amount from the color of the optical level indicator located next to the cap. When the rinse-aid container is full, the indicator will be fully dark. The size of the dark dot decreases as the rinse-aid diminishes. You should never let the rinse aid level be less than 1/4 full.

As the rinse aid diminishes, the size of the black dot on the rinse aid level indicator changes, as illustrated below.

Full 3/4 full 1/2 full 1/4 full Empty

Function of detergent

The chemical ingredients that compose the detergent are necessary to remove, crush and dispense all dirt out of the dishwasher. Most of the commercial quality detergents are suitable for this purpose.

⚠ WARNING

- Proper Use of Detergent

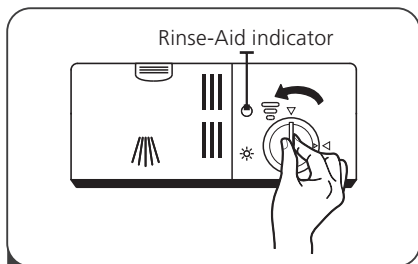
Use only detergent specifically made for dishwashers use. Keep your detergent fresh and dry.

Don't put powdered detergent into the dispenser until you are ready to wash dishes.

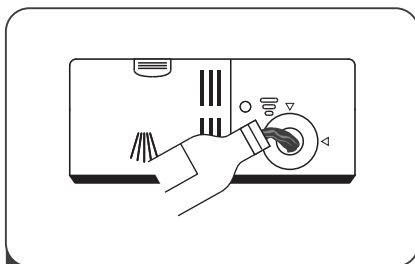


Dishwasher detergent is corrosive! Keep dishwasher detergent out of the reach of children.

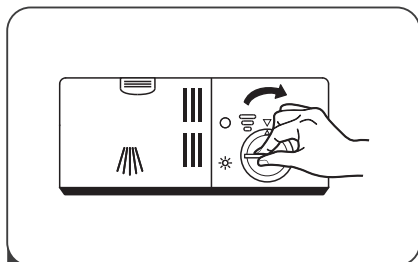
Filling The Rinse Aid Reservoir



- 1** To open the dispenser, turn the cap to the "open" (left) arrow and lift it out.



- 2** Carefully pour in the rinse-aid into its dispenser, whilst avoiding it to overflow.

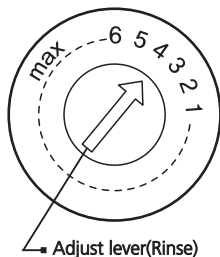


- 3** Replace the cap by inserting it aligned with "open" arrow and turning it to the closed (right) arrow.

NOTE:

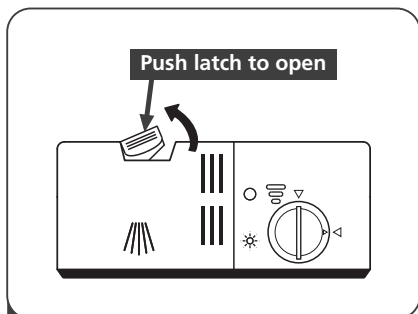
Clean up any spilled rinse aid with an absorbent cloth to avoid excessive foaming during the next wash.

Adjusting the rinse aid reservoir

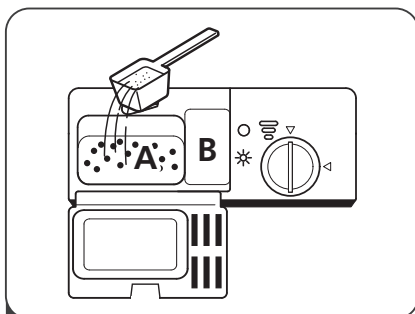


The rinse aid reservoir has six settings. Both the recommended setting and the factory setting is "4". If the dishes are not drying properly or are spotted, adjust the dial to the next higher number until your dishes are spot-free. Reduce it if there are sticky whitish stains on your dishes or a bluish film on glassware or knife blades.

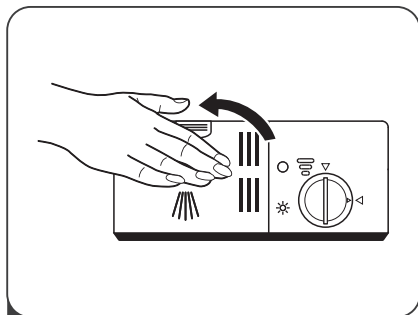
Filling The Detergent Dispenser



1 Press the release catch on the detergent dispenser to open the cover.



2 Add detergent into the larger cavity (A) for the main wash cycle .
For more heavily soiled wash loads, also add some detergent into the smaller cavity (B) for the pre-wash cycle .



3 Close the cover and press on it until it locks into place.

NOTE:






- Be aware that depending on the soiling of water, setting may be different.
- Please observe the manufacturer's recommendations on the detergent packaging.


PROGRAMMING THE DISHWASHER

Wash Cycle Table

The table below shows which programs are best for the levels of food residue on them and how much detergent is needed. It also show various information about the programs.

(●) Means: need to fill rinse into the Rinse-Aid Dispenser.

| Program | Description Of Cycle | Detergent Pre/Main | Running Time(min) | Energy (Kwh) | Water (L) | Rinse Aid |
|---|--|------------------------------------|-------------------|--------------|-----------|-----------|
|  Intensive | Pre-wash(50°C) Wash(55°C) Rinse Rinse(70°C) Drying | $\frac{5}{17.5g}$ (1or2 pieces) | 140 | 0.85 | 9.7 | ● |
|  Normal | Pre-wash Wash(60°C) Rinse Rinse(70°C) Drying | $\frac{5}{17.5g}$ (1or2 pieces) | 120 | 0.65 | 7.8 | ● |
| ECO (*EN 50242) | Pre-wash Wash(47°C) Rinse Rinse(50°C) Drying | $\frac{5}{17.5g}$ (1or2 pieces) | 135 | 0.45 | 7.4 | ● |
|  Glass | Wash(45°C) Rinse Rinse(60°C) Drying | $\frac{22.5g}{(pieces)}$ | 70 | 0.45 | 6 | ● |
|  90 Min | Wash(65°C) Rinse(70°C) Drying | $\frac{22.5g}{(pieces)}$ | 90 | 0.65 | 7 | ● |
|  Rapid | Wash(40°C) Rinse Rinse | 15g | 30 | 0.32 | 5.8 | ○ |

| Program | Description Of Cycle | Detergent Pre/Main | Running Time(min) | Energy (Kwh) | Water (L) | Rinse Aid |
|---|----------------------|--------------------|-------------------|--------------|-----------|-----------|
|  Baby care | Prewash(45°C) | | | | | |
| | Wash(70°C) | 5/17.5g | 150 | 1.05 | 15 | ● |
| | Rinse | (1or2 pieces) | | | | |
| | Rinse(70°C) | | | | | |
| | Drying | | | | | |

NOTE:

EN 50242: This program is the test cycle. The information for comparability test in accordance with EN 50242.

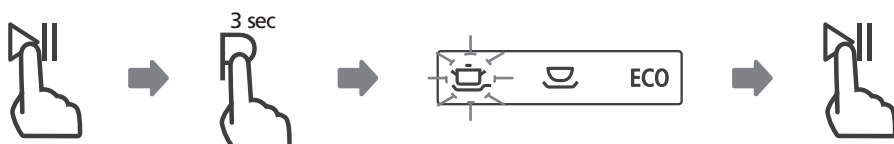
Starting A Cycle Wash

1. Draw out the lower and upper basket, load the dishes and push them back. It is commended to load the lower basket first, then the upper one.
2. Pour in the detergent.
3. Insert the plug into the socket. The power supply refer to last page "Product fiche". Make sure that the water supply is turned on to full pressure.
4. Close the door, press the Power button, to switch on the machine.
5. Choose a program, the response light will turn on. Then press the Start/Pause button, the dishwasher will start its cycle.

Changing The Program Mid-cycle

A wash cycle can only be changed if it has been running for a short time otherwise, the detergent may have already been released and the dishwasher may have already drained the wash water. If this is the case, the dishwasher needs to be reset and the detergent dispenser must be refilled. To reset the dishwasher, follow the instructions below:

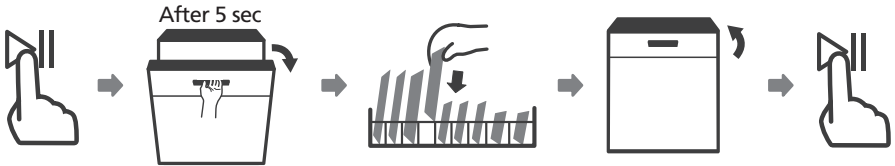
1. Press the Start/Pause button to pause the washing.
2. Press Program button for more than 3 seconds - the program will cancel.
3. Refill with detergent and close the door.
4. Press the Program button to select the desired program.
5. Press the Start/Pause button, after 10 seconds, the dishwasher will start.



• Forget To Add A Dish?

A forgotten dish can be added any time before the detergent dispenser opens. If this is the case, follow the instructions below:

1. Press the Start/Pause button to pause the washing
2. Wait 5 seconds then open the door.
3. Add the forgotten dishes,
4. Close the door.
5. Press the Start/Pause button after 10 seconds, the dishwasher will start.



⚠ WARNING



It is dangerous to open the door mid-cycle, as hot steam may scald you.

ERROR CODES

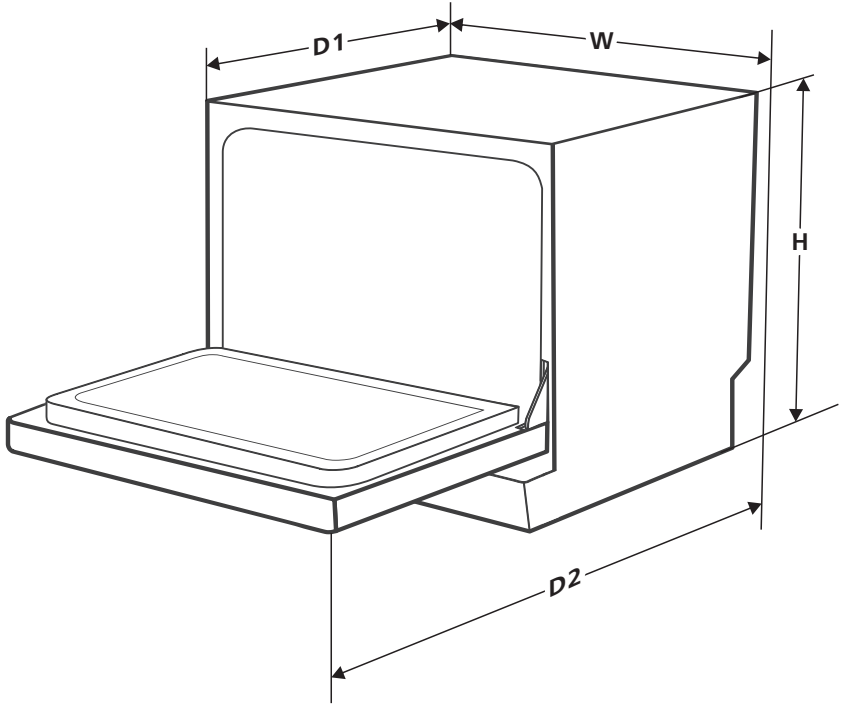
If there is a malfunction, the dishwasher will display error codes to identify these:

| Codes | Meanings | Possible Causes |
|--------------|---|---|
| E1 | Longer inlet time. | Faucets is not opened, or water intake is restricted, or water pressure is too low. |
| E3 | Not reaching required temperature. | Malfunction of heating element . |
| E4 | Overflow. | Some element of dishwasher leaks . |
| Ed | Failure of communication between main PCB with display PCB. | Open circuit or break wiring for the communication. |

⚠ WARNING

- If overflow occurs, turn off the main water supply before calling a service.
- If there is water in the base pan because of an overflow or small leak, the water should be removed before restarting the dishwasher.

TECHNICAL INFORMATION



| | |
|-------------------|-----------------------------------|
| Height (H) | 438mm |
| Width (W) | 550mm |
| Depth (D1) | 500mm (with the door closed) |
| Depth (D2) | 812mm (with the door opened 90°) |

Product fiche

| | | |
|---|------------------------|------------|
| Manufacturer | Devanti | |
| Type / Description | BDW-6-02I-BK | |
| Standard place settings | 6 | |
| Energy efficiency class | ★ ★ ☆ ☆ ☆ ☆ | 2.5 |
| Water consumption class | ★ ★ ★ ☆ ☆ ☆ | 3.5 |
| Standard cleaning cycle | ECO | |
| Energy consumption of the standard cleaning cycle | 0.45 kWh | |
| Water consumption of the standard cleaning cycle | 7.4 liter | |
| Program duration of the standard cleaning cycle | 190 min | |
| Noise level | 49 dB(A) re 1 pW | |
| Mounting | Free standing | |
| Could be built-in | YES | |
| Power consumption | 1170-1380W | |
| Rated voltage / frequency | AC 220-240V/50Hz | |
| Water pressure (flow pressure) | 0.04-1.0MPa=0.4-10 bar | |

DEVANTI