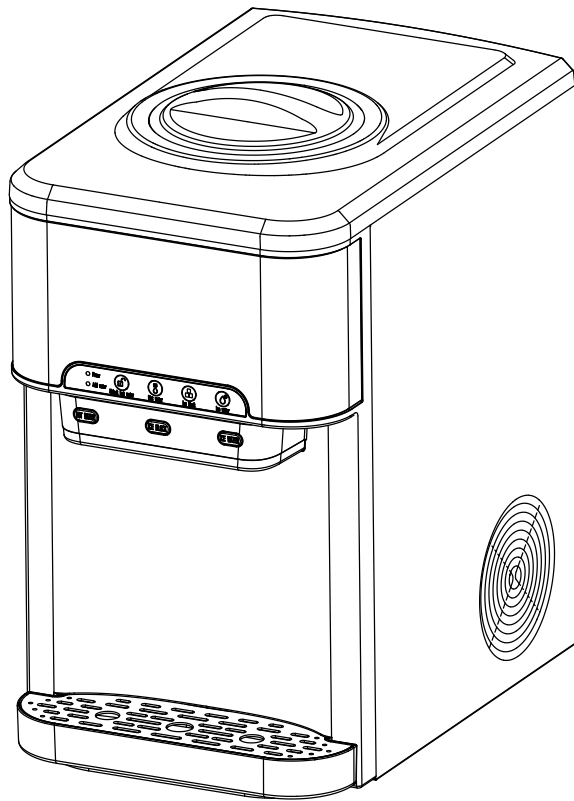


DEVANTI

Instruction Manual

MODEL: IM-ZB20WD-BK-SS



To reduce risk of injury and property damage, you must read this entire instruction manual before assembling, installing and operating the ice maker with water dispenser.

Table of Contents

Safety Informations	2
Package Contents	4
Specifications	4
Product Features	5
Touch Panel Description.....	5
Operational Specifications.....	5
Installation	6
Operation	7
Turn the Ice Maker with Water Dispenser On/Off.....	7
Dispense Cold Water.....	7
Dispense Ice Cubes.....	8
Dispense Hot Water and Activate Unlock.....	8
Cleaning and Maintenance	9
Clean the Ice Maker with Water Dispenser.....	9
Care and Maintenance.....	11
Troubleshooting	12

Safety Instructions

Your safety and the safety of others are very important.

We have provided many important safety messages manual and your appliance.

Always read and obey all safety messages.

This is the safety alert symbol:



All safety messages will follow the safety alert symbol and the word “DANGER” or “WARNING”.

 **DANGER**

 **WARNING**

These words mean:

You can be killed or seriously injured if you don't immediate follow instructions.

All safety messages will tell you what the potential hazard is, tell you how to reduce the chance of injury, and tell you what can happen if the instructions are not followed.

When using electrical appliances, basic safety precautions should be followed to reduce the risk of fire, electric shock, and injury to persons or property. Read all instructions before using any appliance.

- This appliance can be used by children aged from 8 years and above and persons with reduced physical, sensory or mental capabilities or lack of experience and knowledge if they have been given supervision or instruction concerning use of the appliance in a safe way and understand the hazards involved. Children shall not play with the appliance. Cleaning and user maintenance shall not be made by children without supervision.
- Do not operate this, or any other appliance with a damaged cord.
If the supply cord is damaged, it must be replaced by the manufacturer or its service agent or a similarly qualified person in order to avoid a hazard.
This ice-maker must be positioned so that the plug is accessible .
Connect to properly polarized outlets only. No other appliance should be plugged into the same outlet. Be sure that the plug is fully inserted into the receptacle.
- Do not run the power cord over carpeting or other heat insulators. Do not cover the cord. Keep cord away from traffic areas, and do not submerge in water.
We do not recommend the use of an extension cord, as it may overheat and become a risk of fire. If you must use an extension cord, use No.0.75mm² minimum size and rated no less than 16A/250V~ with a plug.

WARNING: This appliance must be earthed.

- Unplug the ice maker before cleaning or making any repairs or servicing.
- Exercise caution and use reasonable supervision when appliance is used near children.
- Do not use your ice-maker outdoors. Place the ice-maker away from direct sunlight and make sure that there is at least 6 inches of space between the back of your unit and wall. Keep a minimum distance of 6 inches on each side of your unit free.
- Do not use other liquid to make the ice-cube other than water.
- Do not clean your ice maker with flammable fluids. The fumes can create a fire hazard or explosion.
- Do not tip over. To avoid a hazard due to instability of the appliance, it must be placed at a even or flat surface.
- If the ice maker is brought in from outside in wintertime, give it a few hours to warm up to room temperature before plugging it in.
- This appliance is not intended for use by persons (including children) with reduced physical, sensory or mental capabilities, or lack of experience and knowledge, unless they have been given supervision or instruction concerning use of the appliance by a person responsible for their safety.
- Children should be supervised to ensure that they do not play with the appliance.
- This appliance must be earthed.
- Do not store explosive substances such as aerosol cans with a flammable propellant in this appliance.
- This appliance is intended to be used in household and similar applications such as
 - staff kitchen areas in shops, offices and other working environments;
 - farm houses and by clients in hotels, motels and other residential type environments;
 - bed and breakfast type environments;
 - catering and similar non-retail applications.



- **Warning: Risk of fire/flammable materials used.** Please according to local regulations regarding disposal of the appliance for its flammable blowing gas.
- **WARNING:** Keep ventilation openings, in the appliance enclosure or in the built-in structure, clear of obstruction.
- **WARNING:** Do not damage the refrigerant circuit.
- **WARNING:** Do not use mechanical devices or other means to accelerate the defrosting process or ice harvesting process, other than those recommended by the manufacturer.
- **WARNING:** Do not use other type of electrical appliances inside the ice-maker.

IMPORTANT:

The wires in this mains lead are colored in accordance with the following code:

Green and yellow:	Grounding
Blue:	Neutral
Brown:	Live

- This appliance is not intended for use by persons (including children) with reduced physical, sensory or mental capabilities, or lack of experience and knowledge, unless they have been given supervision or instruction concerning use of the appliance by a person responsible for their safety.
- Young children should be supervised to ensure that they do not play with the appliance.
- -Please according to local regulations regarding disposal of the appliance for its flammable refrigerant and blowing gas. Before you scrap the appliance, please take off the doors to prevent children trapped.

Package Contents

- Countertop ice maker with water dispenser
- Removable drip tray
- Instruction manual

Specifications

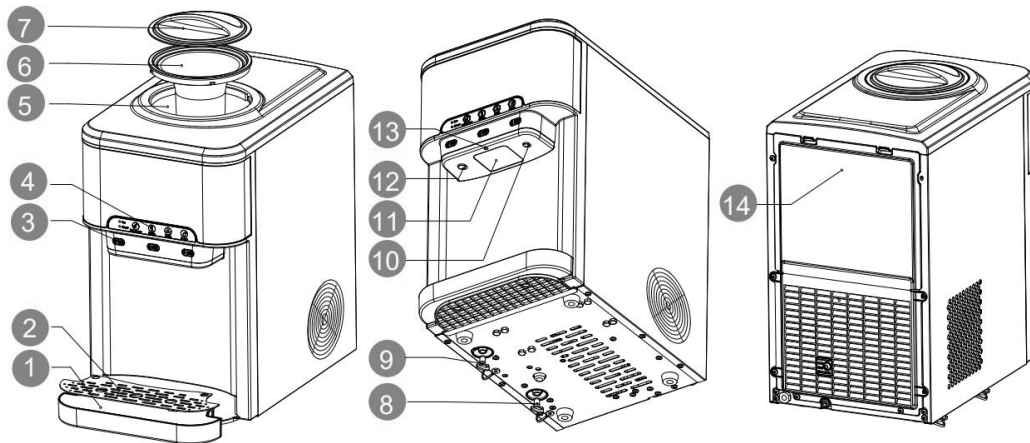
Model	IM-ZB20WD-BK-SS
Voltage/Frequency	220-240V/ 50Hz
Cold Water Temperature	≤8℃
Cold Water Tank Capacity	2.5L
Hot Water Temperature	≥90℃
Hot Water Tank Capacity	0.8L
Product Dimensions	W428xD278xH479mm
Net Weight	14.9Kg

DANGER

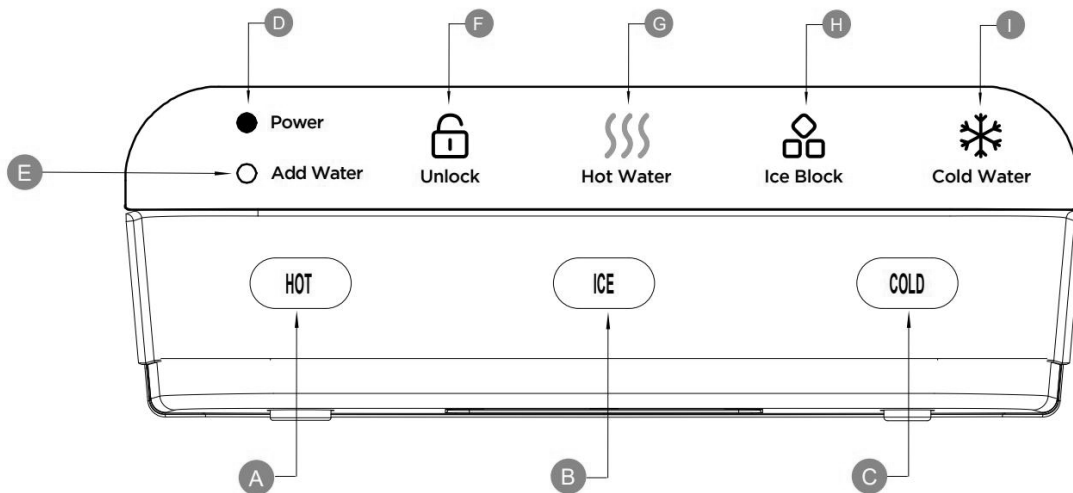
* Improper use of the grounded plug can result in the risk of electrical shock. If the power cord is damaged please call our customer service.

1. This unit should be properly grounded for your safety. The power cord of this appliance is equipped with a three-prong plug which mates with standard three prong wall outlets to minimize the possibility of electric shock.
2. Plug your appliance into an exclusive, properly installed, grounded wall outlet. Do not under any circumstances, cut or remove the third (ground) prong from the power cord. Any questions concerning power and/or grounding should be directed toward a certified electrician.
3. This appliance requires a standard 220-240volt, 50Hz electrical outlet with three-prong ground.

Product Features



Part	Description	Part	Description
1	Removable drip tray	8	Cold water drain outlet
2	Drip tray Cover	9	Hot water drain outlet
3	Hot/Cold/Ice Button	10	Cold water spout
4	Touch panel display	11	Ice cube spout
5	Water reservoir	12	Hot water spout
6	Bottle support collar	13	Night light
7	Cover	14	Back cover



- A Hot water button - Press to dispense hot water
- B Ice dispense button - Press to dispense ice cubes
- C Cold water button - Press to dispense cold water
- D Power indicator light
- E Add-water indicator light
- F Lock button - Press to lock or unlock the hot water button
- G Heating indicator light - Light on means hot water ready
- Light flash means water is heating
- H Ice making indicator light - Light on means ice tank is full
- Light flash means making ice cubes
- I Cooling indicator light - Light on means cold water ready
- Light flash means water is cooling

Installation

1. Determine Installation Location

- A. Place the ice maker with water dispenser upright.
- B. Locate the ice maker with water dispenser on a hard and level surface in a cool shaded location near a grounded wall outlet.
- C. Position the back and left sides of the ice maker with water dispenser no closer than 10 cm (4 in.), and right side no closer than 15cm (6 in.) from a wall or obstacles and permit free airflow between the wall or obstacles and the ice maker with water dispenser.

NOTICE: DO NOT plug in the power cord until the entire installation section is completed.

2. Install the Drip Tray and Grid

- A. Unwrap the drip tray from the packaging material and slide it onto the lower slot on front panel of the ice maker with water dispenser until it is secure in place.

3 . Install a Water Bottle(#1)

IMPORTANT: To prevent dry heating, do not turn on the heating and cooling until you complete the steps in this procedure.

NOTE: This dispenser is compatible with 5-gallon water bottles. It is recommended that you purchase water bottles equipped with a push-cap hole diameter bigger than 20mm (3/4 in) and the bottle neck cap diameter smaller than 69 mm (2 3/4 in.).

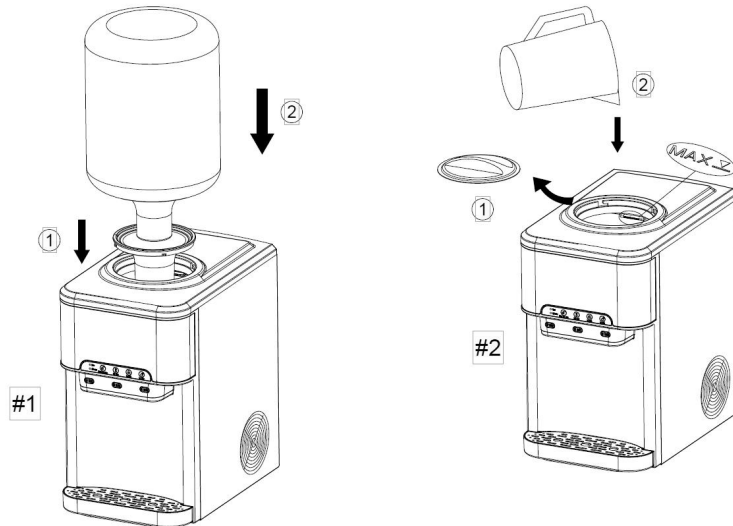
NOTE: Make sure that the bottom water drain plug is in place and secure.

- A . Remove the plastic seal on top of the bottle, but do not remove the protective cap from the water bottle.
- B. Clean the bottle cap and neck with a damp, warm cloth.
- C. Lift and turn the bottle upside down and place it securely on the bottle support collar. The inside of the collar is equipped with a probe that pierces the water bottle cap in order to avoid spills and bacteria entering the water.
- D. Wait 5 minutes for the water tanks to fill with water before attempting to use the ice maker with water dispenser.
- E. Remove air from the tanks by placing a cup under each water tap and drain at least 4 cups (1 liter) of water before initial use.

4 . Manually add water(#2)

Pour drinking water into the top reservoir. Make sure that the water level is below the MAX line.

WARNING: Fill with drinking water only



Operation

IMPORTANT: This unit has been tested and sanitized prior to packing and shipping. During transit, dust and odors can accumulate in the tank and lines. Dispense and dispose at least one quart of water prior to drinking any water.

NOTICE: After unpacking your Ice Maker with Water Dispenser, it must rest in an upright position for at least two hours before you plug it in or the compressor may be damaged, shortening the life span of the unit.

Turn the Ice Maker with Water Dispenser On/Off

- 1 Plug in the ice maker with water dispenser.
- 2 Run water through the cold and hot water taps until water begins to dispense.
- 3 To power on the cooling system, press “Cold Water” touch button. Then cooling indicator light starts flashing. If the cool water is ready, the light is steadily on. Press “Cold Water” touch button again to turn it off.
- 4 To power on the heating system, press “Hot Water” touch button. Then heating indicator light starts flashing. If the hot water is ready, the light is steadily on. Press “Hot Water” touch button again to turn it off.
- 5 To power on the ice maker system, press “Ice Block” touch button. Then ice making indicator light starts flashing. If the ice maker tank is full, then the light is steadily on. Press “Ice Block” touch button again to turn off.

Dispense Cold Water(#3)

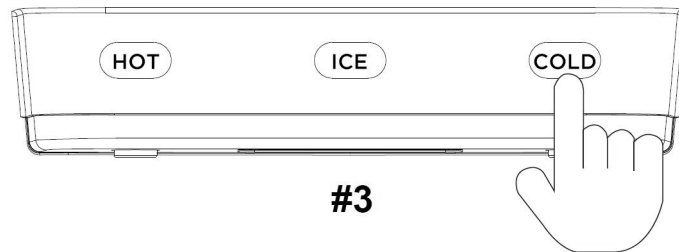
NOTE: It will take approximately 1 hour after plugging in and turning on to make water completely chilled. The cooling light will be steadily on once the water is fully chilled.

- 1 Put a drinking glass or container under the cold water faucet. Press “Cold” button to dispense

cold water.

2 Press “Cold” button again to stop cool water dispensing when your container is full.

Note:Dispensing time is 8s,if you need more cool water,then re-peat above action.



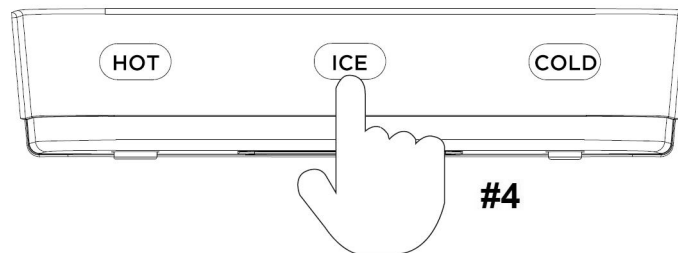
Dispense Ice Cubes(#4)

NOTE: It will take approximately 6-13 minutes to make ice after plugging in and turning on. The ice tank can hold 1.8Kgs (4 pounds) ice cubes.

1 To dispense ice cubes, place a drinking glass or container under the ice spout and press the “Ice” button.The night light is on.

2 Press the “Ice” button again to stop ice dispensing.

NOTE: Dispensing time is 150s and dispense all the ice cubes in ice tank, if you don't push the “ice” button again to stop it. If you need more ice cubes, please repeat above action.



Dispense Hot Water and Activate Unlock(#5)

CAUTION: This unit dispenses water at temperatures that can cause severe burns. Avoid direct contact with hot water. Keep children and pets away from the unit while dispensing. Never allow children to dispense hot water without proper and direct supervision. Disable the heating feature by switching the heating convenience switch to the Off position.

NOTE: It will take approximately 15-20 minutes after plugging in and turning on to make hot water reach its hottest temperature.

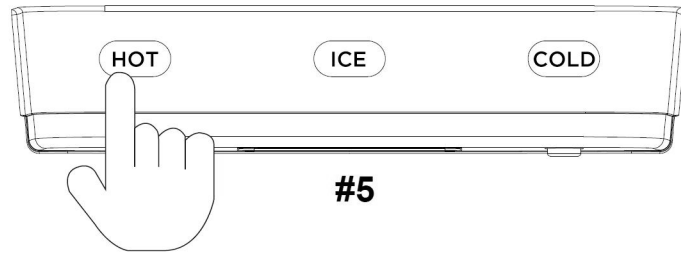
1 This ice maker with water dispenser is equipped with a child safety lock in order to prevent inadvertent dispensing. To disable the child safety lock feature, press the “Unlock” touch button.

2 To dispense hot water, place a drinking glass or container under the hot water tap and press the “Hot” button.

3 Press the “Hot” button again to stop dispensing hot water when your container is full.

NOTE: “Unlock” function works 2 seconds and it will automatically lock again if no action after 2 seconds.

Dispensing time is 12s if you don’t push “Hot” button again to stop dispensing hot water. If you need more hot water, please repeat above action.



Cleaning and Maintenance

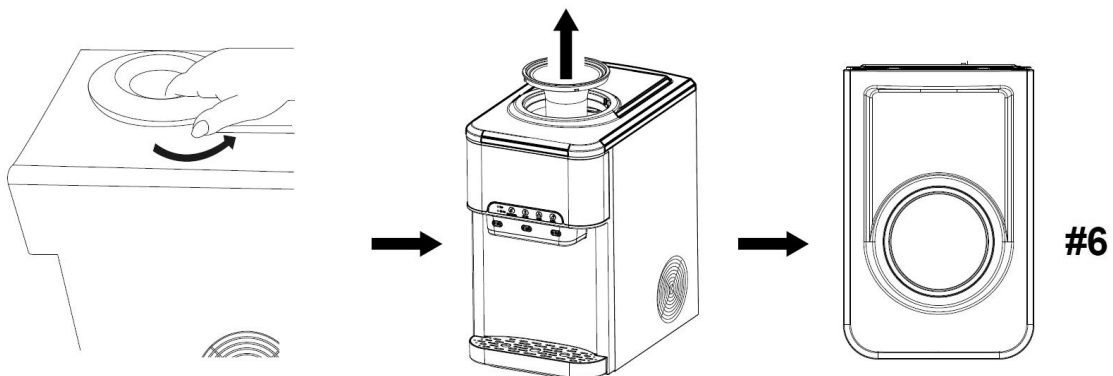
Clean the Ice Maker with Water Dispenser

CAUTION: Always turn off and unplug the ice maker from the power supply before cleaning and servicing

CAUTION: Do not use bleach or vinegar to clean the internal components.

Clean the top water reservoir(#6)

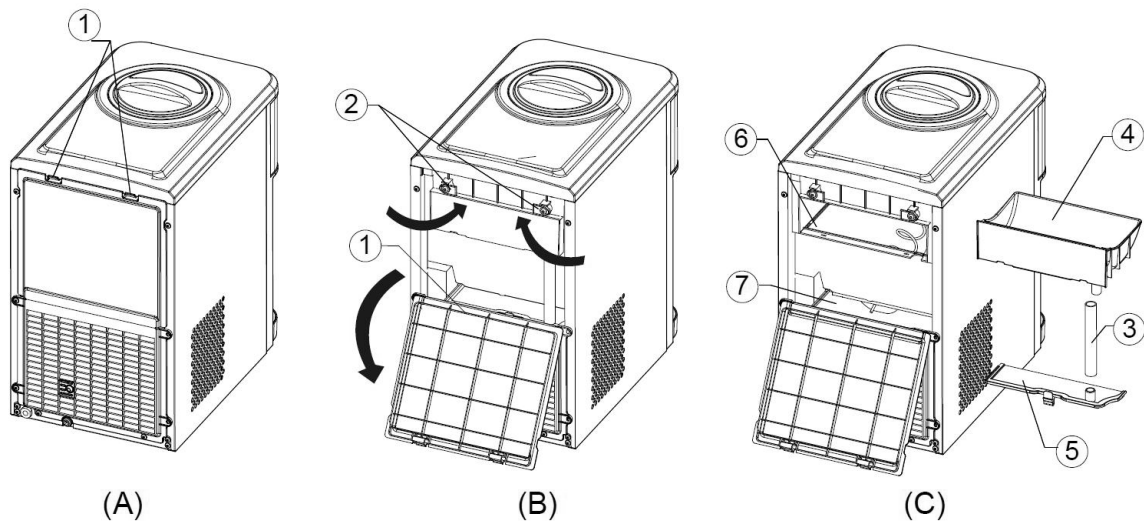
1. Twist or lift off the bottle supporter.
2. Clean the water reservoir and make sure to remove the hot water drain plug on the unit bottom to drain the water completely.
3. Dry the water reservoir with soft cloth.
4. Make sure to put back the hot water drain plug after cleaning and before using the unit.



Clean internal component(#7)

- 1.Press the two clips on upper part of back plate to open the back plate.
- 2.Turn the two vertical locks center-wise to horizontal position.
- 4.Pull out the ice making box.
- 5.Press the cold water tank cover clip and open the cold water tank.
- 6.Clean the interior with diluted detergent, warm water, and a soft cloth.
- 7.Drain the water from the bottom by unplugging the cool water drain plug. Make sure to put back the cool water drain plug after drainage.
- 8.Put back the cold water reservoir cover and push back the ice making box, twisting the two clips into place and rotating them clockwise.
- 9.Make sure the silicone tube connect well.
- 10.Push back the back plate.

Caution: The Ice Maker with Water Dispenser will heat water to a temperature of approximately 185° F. It can cause severe burns if not handled carefully. Please use caution while operating and cleaning. Please allow ample time for any hot water inside the machine to cool down before draining it.



#7

Care and Maintenance

IMPORTANT: To prolong the lifetime of the machine, it is recommended that the unit be cleaned and sanitized manually every months.

- Clean the outside of the ice maker with a mild detergent solution and warm water. Use a soft cloth to wipe to avoid scratching or damaging the surface of the unit.
- Keep this Ice Maker with Water Dispenser in a dry and cool place and avoid direct sunshine.
- Ensure the back and left sides of the unit is at least 10 cm (4 in.) away from the wall, and right side at least 15 cm (6 in) away from the wall.
- Never put the Ice Maker with Water Dispenser on paper or foam, which may store water and cause creepage. Never put anything flammable beside this machine.
- Do not use the Ice Maker with Water Dispenser outdoors or in a place that can be splashed by water.
- If the Ice Maker with Water Dispenser is not in use for longer than a 24-hour period, unplug the unit to save power and drain any remaining water.
- Clean your cabinet, controls, bottle probe and spout each time you change your water bottle. Use a clean soft cloth and a food grade sanitizer or bleach.
- Empty and clean the drip tray, grid and float.

Troubleshooting

Problem	Solution
“Add Water”indicator light on	Replace with a new water bottle
	Pour drinking water into the top reservoir to MAX level
	Clean the water tank and check the water level switch works well.
“Add Water”indicator light flash quickly	Clean the cold water tank and check the water level switch if it works well.
Power indicator light flash	Call customer service for assistance
Ice Water indicator light flash quickly	Cold water sensor fault,change a new temp sensor
“Ice Block”indicator light on	Ice tank is full,take out some ice cube
	Ice full sensor fault,press “Ice Block”more than 5s to mandatory ice making 20 cycles
“Ice Block”indicator flash quickly	Change a synchronous motor
“Hot Water”indicator light flash quickly	Hot water sensor fault,change a new temp sensor
“Unlock”indicator light flash quickly	Ambient temp sensor fault,change a new temp sensor
Ice cube too thin	Move the unit to a cool place
	Make sure free airflow on all sides of the unit at least 10 to 15 cm away from wall or obstacles
Ice cube too thick	Move the unit to a warm place
The dispenser is not dispensing water.	Check to see if the bottle and the top water tank is empty and replace with a new bottle if necessary.
	Press "Unlock" before press Hot Water button
There is water leakage	Ensure the bottle is installed correctly.
	The drain plugs are in place and fit well
	Check to make sure that pipes are connected properly
	Water pipe may need to be replace