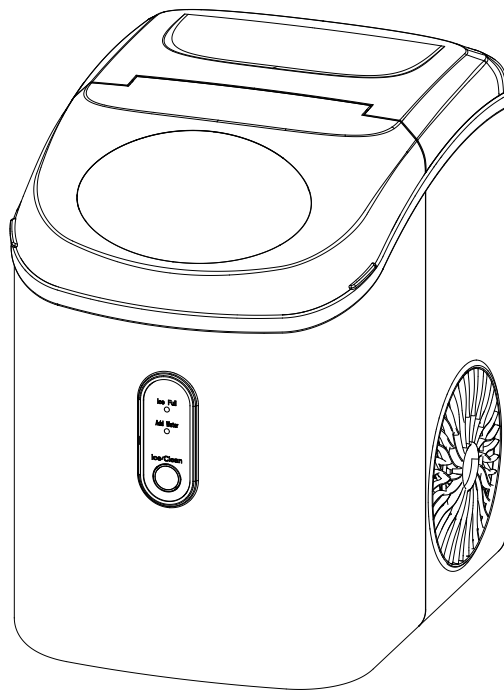


# DEVANTI

## USER MANUAL

### ***PORTABLE NUGGET ICE MAKER***

**IM-ZB15N-BK**



It is important that you read these instructions before using your portable ice maker and we strongly recommend that you keep them in a safe place for future reference.

# **TABLE OF CONTENTS**

<b>IMPORTANT SAFETY INSTRUCTIONS</b> .....	1
<b>PREPARING YOUR ICE MAKER FOR USE</b>	
IMPORTANT SAFETY TIPS.....	2-3
<b>GETTING TO KNOW YOUR UNIT</b> .....	4
<b>OPERATING PROCEDURES &amp; MAINTENANCE</b> .....	4-5
<b>USING YOUR ICE MAKER</b>	
HOW TO START THE UNIT .....	5
CLEAN .....	6
SYSTEM CLEANING/SANITIZING PROCEDURE .....	7-8
HOW TO OBTAIN THE ICE-CUBE .....	9
ICE SCOOP POSTION .....	9
<b>TROUBLESHOOTING</b> .....	10
<b>TECHNICAL PARAMETERS &amp; CIRCUIT DIAGRAM</b>	
TECHNICAL PARAMETERS .....	11
CIRCUIT DIAGRAM .....	11

## ***IMPORTANT SAFETY INSTRUCTIONS***

**Your safety and the safety of others are very important.**

We have provided many important safety messages manual and your appliance.

Always read and obey all safety messages.

This is the safety alert symbol:



All safety messages will follow the safety alert symbol and the word “DANGER” or “WARNING”.



These words mean:

**You can be killed or seriously injured if you don't immediate follow instructions.**

All safety messages will tell you what the potential hazard is, tell you how to reduce the chance of injury, and tell you what can happen if the instructions are not followed.

## **PREPARING YOUR ICE MAKER FOR USE**

### **IMPORTANT SAFETY TIPS**

When using electrical appliances, basic safety precautions should be followed to reduce the risk of fire, electric shock, and injury to persons or property. Read all instructions before using any appliance.

- This appliance can be used by children aged from 8 years and above and persons with reduced physical, sensory or mental capabilities or lack of experience and knowledge if they have been given supervision or instruction concerning use of the appliance in a safe way and understand the hazards involved. Children shall not play with the appliance. Cleaning and user maintenance shall not be made by children without supervision.
- Do not operate this, or any other appliance with a damaged cord.  
If the supply cord is damaged, it must be replaced by the manufacturer or its service agent or a similarly qualified person in order to avoid a hazard.  
This ice-maker must be positioned so that the plug is accessible .  
Connect to properly polarized outlets only. No other appliance should be plugged into the same outlet. Be sure that the plug is fully inserted into the receptacle.
- Do not run the power cord over carpeting or other heat insulators. Do not cover the cord. Keep cord away from traffic areas, and do not submerge in water.  
We do not recommend the use of an extension cord, as it may overheat and become a risk of fire. If you must use an extension cord, use No.0.75mm<sup>2</sup> minimum size and rated no less than 16A/250V~ with a plug.  
**WARNING:** This appliance must be earthed.
- Unplug the ice maker before cleaning or making any repairs or servicing.
- Exercise caution and use reasonable supervision when appliance is used near children.
- Do not use your ice-maker outdoors. Place the ice-maker away from direct sunlight and make sure that there is at least 6 inches of space between the back of your unit and wall. Keep a minimum distance of 6 inches on each side of your unit free.
- Do not use other liquid to make the ice-cube other than water.
- Do not clean your ice maker with flammable fluids. The fumes can create a fire hazard or explosion.
- Do not tip over.To avoid a hazard due to instability of the appliance, it must be placed at a even or flat surface.
- If the ice maker is brought in from outside in wintertime, give it a few hours to warm up to room temperature before plugging it in.
- This appliance is not intended for use by persons (including children) with reduced physical, sensory or mental capabilities, or lack of experience and knowledge, unless they have been given supervision or instruction concerning use of the appliance by a person responsible for their safety.
- Children should be supervised to ensure that they do not play with the appliance.

- This appliance must be earthed.
- Do not store explosive substances such as aerosol cans with a flammable propellant in this appliance.
- This appliance is intended to be used in household and similar applications such as
  - staff kitchen areas in shops, offices and other working environments;
  - farm houses and by clients in hotels, motels and other residential type environments;
  1. bed and breakfast type environments;
  2. catering and similar non-retail applications.



- **Warning: Risk of fire/flammable materials used.** Please according to local regulations regarding disposal of the appliance for its flammable blowing gas.
- **WARNING:** Keep ventilation openings, in the appliance enclosure or in the built-in structure, clear of obstruction.
- **WARNING:** Do not damage the refrigerant circuit.
- **WARNING:** Do not use mechanical devices or other means to accelerate the defrosting process or ice harvesting process, other than those recommended by the manufacturer.
- **WARNING:** Do not use other type of electrical appliances inside the ice-maker.

**IMPORTANT:**

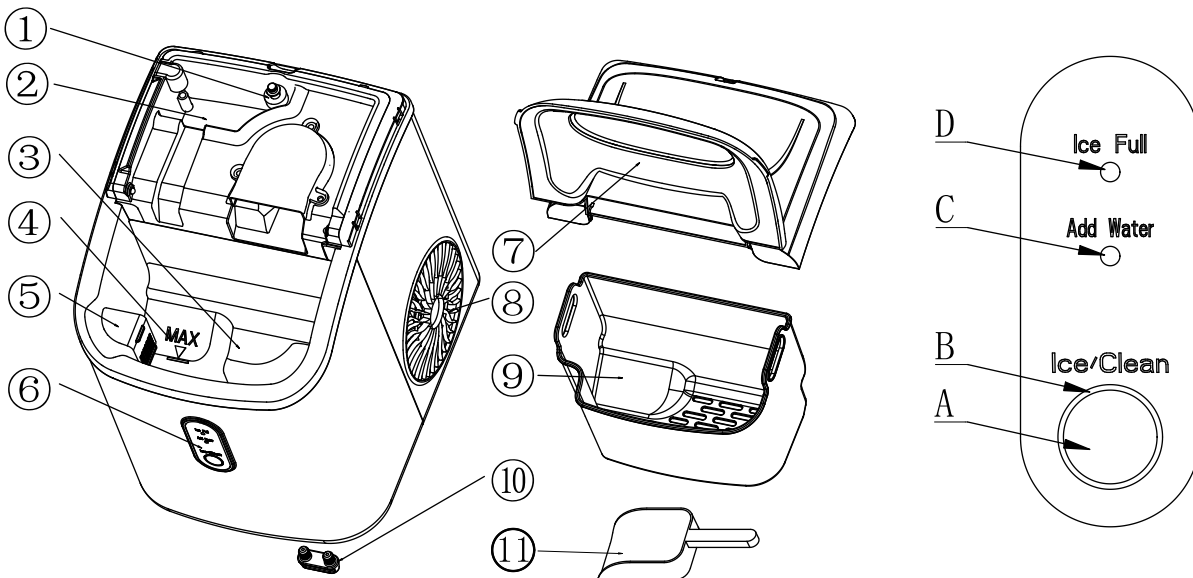
The wires in this mains lead are colored in accordance with the following code:

Green and yellow:	Grounding
Blue:	Neutral
Brown:	Live

- This appliance is not intended for use by persons (including children) with reduced physical, sensory or mental capabilities, or lack of experience and knowledge, unless they have been given supervision or instruction concerning use of the appliance by-a person responsible for their safety.
- Young children should be supervised to ensure that they do not play with the appliance.
- Please according to local regulations regarding disposal of the appliance for its flammable refrigerant and blowing gas. Before you scrap the appliance, please take off the doors to prevent children trapped.

## GETTING TO KNOW YOUR UNIT

- 1、 Float switch;
- 2、 Secondary water reservoir: It connects directly with the evaporator;
- 3、 Water reservoir;
- 4、 Maximum water level;
- 5、 Filter;
- 6、 Control Panel:
  - A. Ice making and cleaning buttons;
  - B. Ring indicator light;
  - C. Water lack indicator light;
  - D. Ice full indicator light;
- 7、 Top cover, removable from the top;
- 8、 Hot Air outlet;
- 9、 Ice basket;
- 10、 Water drain cap: at front btom side of the unit;
- 11、 Ice scoop;



## OPERATING PROCEDURES & MAINTENANCE

1. Remove the exterior and interior packaging, and then check all the accessories are included. If any parts are missing, please contact our customer service.
2. Remove all the tapes on the unit; take out the accessory parts inside.
3. Clean the interior with lukewarm water and a soft cloth.
4. Locating your ice maker on a level counter table far from direct sunlight and other sources of heat (i.e.: stove, furnace, and radiator). Make sure that there is at least 6 inches between the back and sides of your ice maker with the wall.
5. Allow one hour for the refrigerant fluid to settle down before plugging your ice maker in.

6. The power plug must be accessible directly.

**WARNING:** fill with potable water only.

## DANGER

**\*Improper use of the grounded plug can result in the risk of electrical shock. If the power cord is damaged, please call our customer service.**

1. This unit should be properly grounded for your safety. The power cord of this appliance is equipped with a grounding plug which mates with standard grounding wall outlets to minimize the possibility of electric shock.
2. Plug your appliance into an exclusive, properly installed, grounding wall outlet. Do not under any circumstances; damage the grounding means of the plug. Any questions concerning power and/or grounding should be directed toward a certified electrician.
3. This appliance requires a standard 220-240Volt, 50Hz electrical outlet with good grounding means.

Before using your ice maker, it is strongly recommended to clean it thoroughly.

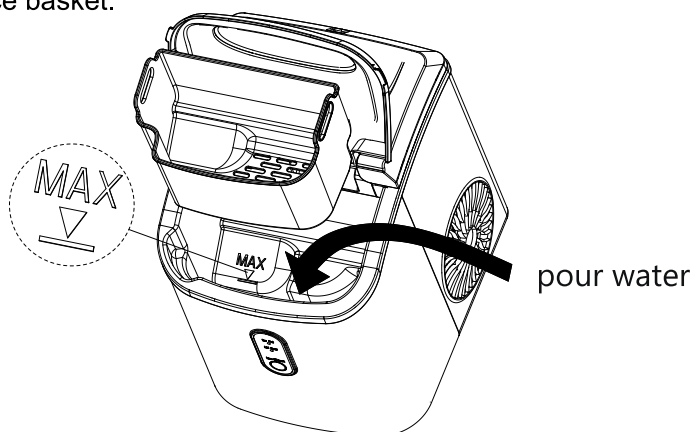
Unplug the unit before cleaning or making any maintenance.

1. Take out the ice basket.
2. Clean the interior with diluted detergent, warm water and a soft cloth.
3. Then use the water to rinse the inside parts, and drain out the water by unplugging the drain cap on front bottom side.
4. The outside of the ice maker should be cleaned regularly with a mild detergent solution and warm water.
5. Dry the interior and exterior with a clean soft cloth.
6. When the machine is not to be used for a long time, drain water completely & dry the interior.

## USING YOUR ICE MAKER

### How to start the unit

1. Take out the ice basket, pour potable water into water reservoir, 0.3 gallon water at most at one time.
2. Put back the ice basket.

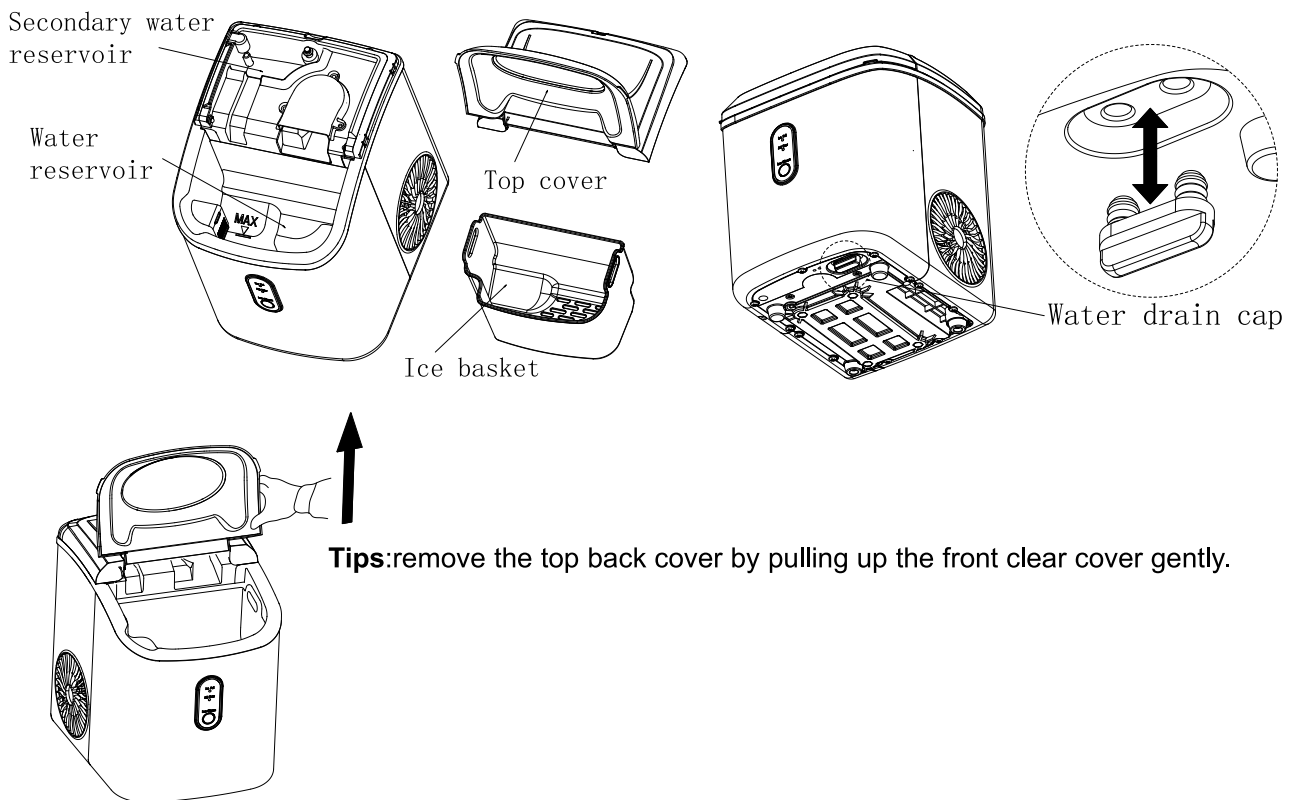


3. Plug in and the ring indicator will red light on. If you press the "ice /clean" button, the machine will start making ice; If long press the "Ice/Clean" button, it will do automatic cleaning.

## CLEAN

**For the first time, or the clean procedure has not been running for a long time, it is highly recommended to run this procedure at first.**

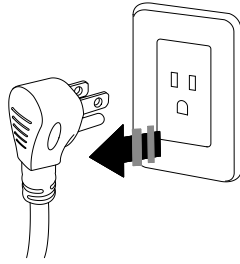
1. Before clean procedure, please make sure the water drain cap has been inserted into the appliance; otherwise it will not work properly.
2. Press "ICE/CLEAN" button for 5 seconds, Ring indicator light flashes white, it will run cleaning procedure for 15 minutes and automatically exit, press this button again during the cleaning procedure, it will exit immediately.
3. After cleaning procedure, remove the top cover and the ice basket, rinse the main water reservoir and the secondary water reservoir, then move the appliance to the edge of the desktop, make sure that the appliance is placed steady, place a water container under the appliance, remove drain cap from the bottom, dirty water will drain into the water container, then reinsert the drain cap.



**Change water in the water reservoir every 24 hours to ensure a reasonable hygiene level. If the unit isn't to be used, drain all water & dry the water reservoir.**

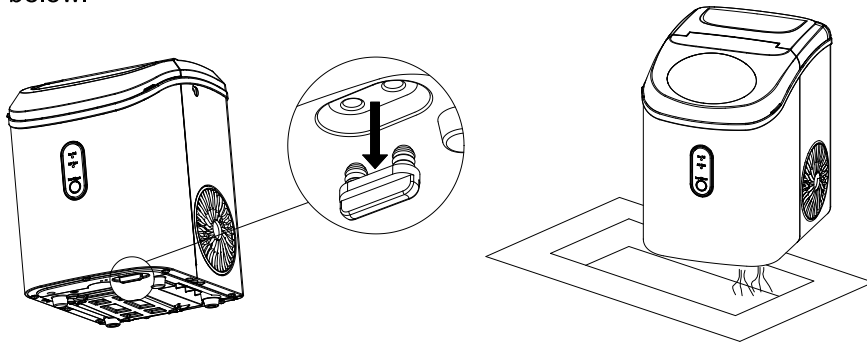
## System Cleaning/Sanitizing Procedure

1. Unplug the nugget ice maker.



2. Take off the bottom drain cap and drain out the water to a sink.

See the figure below.

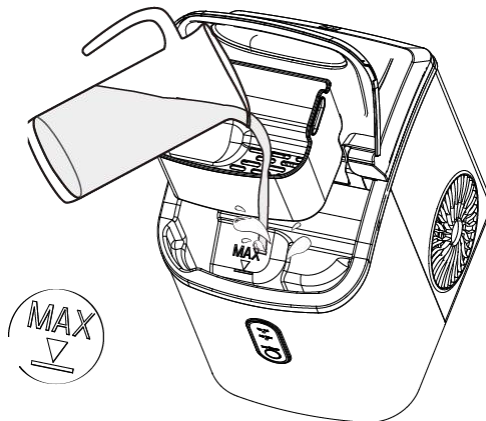


3. Produce a solution by diluting one teaspoon of household bleach with five cups of water for daily cleaning.

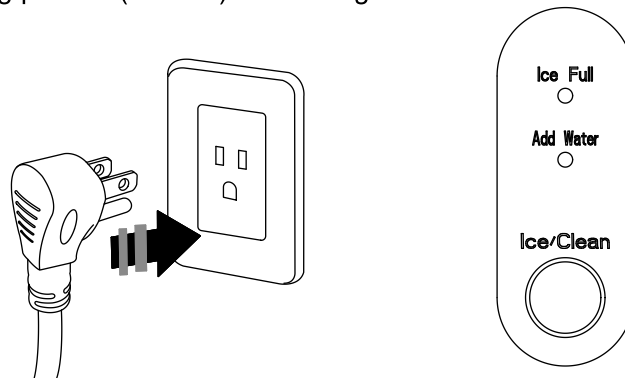
For monthly cleaning of removing mineral deposits, please use the white vinegar instead of the above water solution (and then plug in to turn on the “cleaning function” for about 5 minutes. After that, unplug it again to leave the white vinegar in the unit more than 12hours).



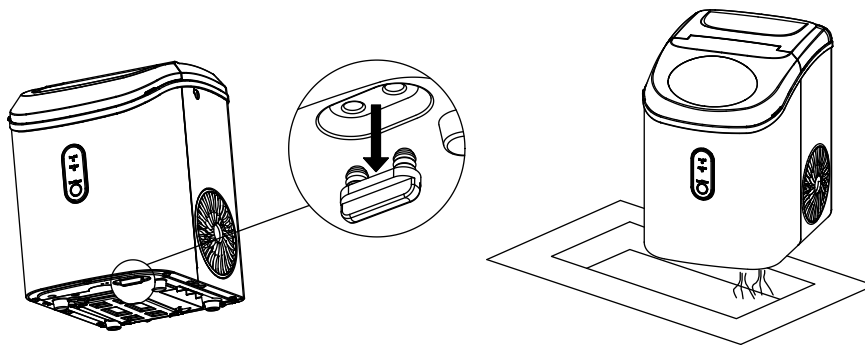
4. Pour the solution into the water reservoir, up to the “MAX” water level. See the figure below.



5. Plug in the Nugget ice maker,press and hold the "Clean" button for 5 seconds to initiate the cleaning process(15mins).See the figure below.

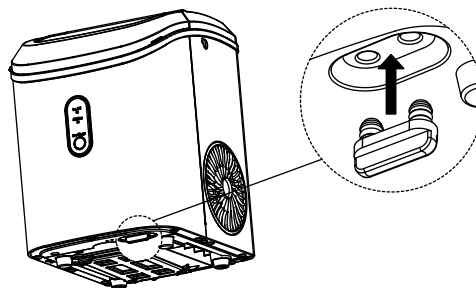


6. When the "cleaning" indicator lights off, take off the drain cap and drain out the water to a sink.

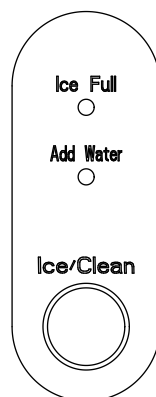


7. Repeat the step 4 to 6 with fresh water for two more cycles to rinse the inside.

8. Replace the drain cap on the bottom. See the figure below.



9. When completed, fill the unit with fresh water and press the "Ice" button to start ice making process. See the figure below.

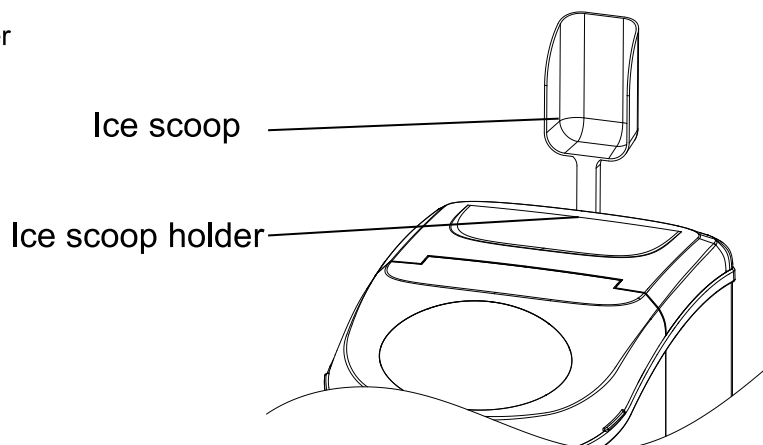


## How to obtain the ice-cube

1. Before we start making ice, please make sure the water drain cap has been inserted into the appliance; otherwise it will not work properly.
2. Press "ICE/CLEAN" button , Ring indicator light flashes white, it begin to work, Press this button again, it will stop making ice.
3. For the first time, or if the appliance has not been used for a long time, it is recommended to clean this appliance before you start to make ice.
4. In the process of making ice, if the "Add water" indicator light is on,and the machine stops working, it needs adding water. After adding water, please restart the machine; Otherwise, it needs waiting for a long time and then automatically start making ice again. When the ice making machine is restarted, the compressor will have a waiting time of 3 minutes.
5. When the machine is full of ice, it will automatically stop working. The "ice full" indicator light will be on, and the ring indicator light will be white. After the ice is removed, the machine starts working automatically.

## ice scoop position

Put the scoop on the top back cover



## TROUBLESHOOTING

PROBLEM	POSSIBLE CAUSE	SOLUTION
“Add Water ” indicator turns on	Lack of Water.	Stop the ice maker, fill water, and press “ICE/CLEAN” button again to restart the unit.
“ICE FULL” indicator turns on	There is too much ice.	Suggest you to obtain the ice-cube.
	No ice cube inside.	Remove the probable obstacle inside or clean the inside wall of the ice storage
Ring indicator light flashes red	Ambient temperature or water temperature in inner tank is too high.	Please run the ice maker below 90 Fahrenheit degree ambient and pour colder water into tank.
	Refrigerant liquid leakage.	Press the ICE button twice, restart ice making program, if this problem show up again, verify by a qualified technician.
	Cover motor is broken	
	Pipe in the cooling system is blocked.	
Making Ice too slowly	Hot Air outlet has been blocked by something.	Hot Air outlet must be guaranteed to have more than 15 CM of ventilation distance.
	Water temperature in inner tank is too high.	Water temperature requirement between 7°C-32°C.
	Refrigeration system malfunctions.	Verify by a qualified technician.
Water leakage	Drain plug not in place	Put the drain plug in place.
	Pipe Joint in the appliance may Loose	Verify by a qualified technician.
	The seal has reached service life	Verify by a qualified technician.

# TECHNICAL PARAMETERS & CIRCUIT DIAGRAM

## TECHNICAL PARAMETERS

Model	IM-ZB15N-BK
Protection Type	I
Power	220-240V/50Hz
Ice Making Current	1.1A
Refrigerant	R600a / 16g
Vesicant	C <sub>5</sub> H <sub>10</sub>
Dimension	287x220x322mm



## CIRCUIT DIAGRAM

