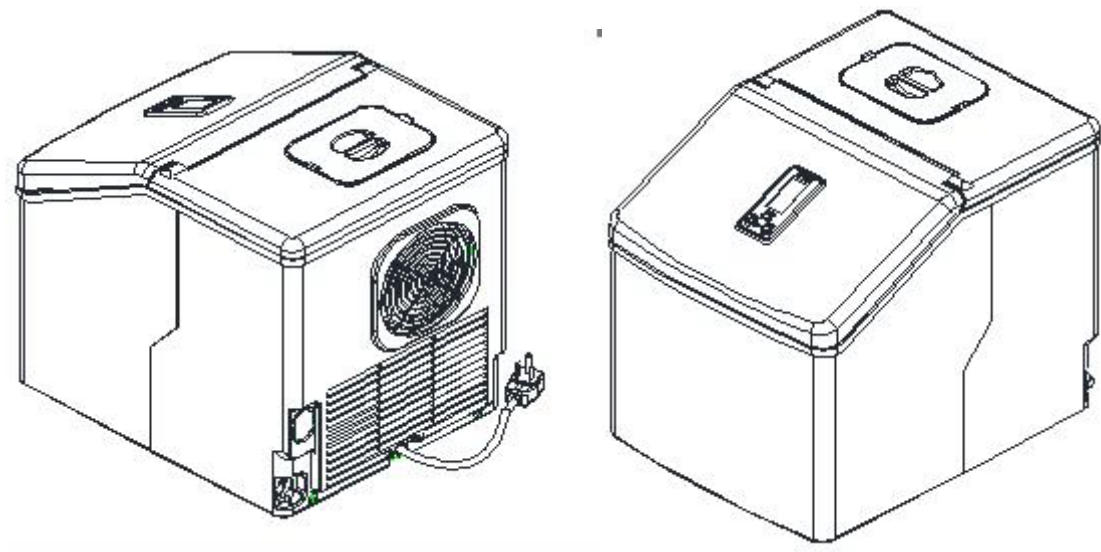


# DEVANTI

## ICE CUBE MAKER

### IM-ZB-18F-SS

# USER MANUAL



## ***TABLE OF CONTENTS***

<b>IMPORTANT SAFETY INSTRUCTIONS</b>	2
<b>PREPARING YOUR ICE CUBE MAKER FOR USE</b>	3
IMPORTANT SAFETY TIPS	
<b>GETTING TO KNOW YOUR UNIT</b>	5
<b>OPERATING PROCEDURES AND MAINTENANCE</b>	6
UNPACKING YOUR ICE CUBE MAKER	6
CONNECTING YOUR ICE CUBE MAKER	6
CLEANING AND MAINTAINING YOUR ICE CUBE MAKER	7
<b>USING YOUR ICE CUBE MAKER</b>	8
TROUBLESHOOTING	11
<b>SPECIFICATIONS AND CIRCUIT DIAGRAM</b>	12
<b>WARRANTY AND DISPOSAL OF THE PRODUCT</b>	13

## ***IMPORTANT SAFETY INSTRUCTIONS***

**Your safety and the safety of others are important.**

We have provided many important safety messages in the manual for your appliance.  
Always read and obey all safety messages.

This is the safety alert symbol:



All safety messages will follow the safety alert symbol and the words “DANGER” or “WARNING”.

 **DANGER**

 **WARNING**

These words mean:

**You can be killed or seriously injured if you do not follow instructions immediately.**

All safety messages will tell you what the potential hazard is, how to reduce the chance of injury, and what can happen if the instructions are not followed.

## ***PREPARING YOUR ICE CUBE MAKER FOR USE***

When using electrical appliances, basic safety precautions should be followed to reduce the risk of fire, electric shock, and injury to persons or property. Read all instructions before using any appliance.

- This appliance can be used by children aged from 8 years and above and persons with reduced physical, sensory or mental capabilities or lack of experience and knowledge if they have been given supervision or instruction concerning use of the appliance in a safe way and understand the hazards involved. Children shall not play with the appliance. Cleaning and user maintenance shall not be made by children without supervision.
- Do not operate this, or any other appliance with a damaged power cord.  
If the power cord is damaged, it must be replaced by the manufacturer or its service agent or a similarly qualified person in order to avoid a hazard.  
This ice cube maker must be positioned so that the plug is accessible.  
Connect to properly polarized outlets only. No other appliance should be plugged into the same outlet. Be sure that the plug is fully inserted into the receptacle.
- Do not run the power cord over carpeting or other heat insulators. Do not cover the cord. Keep power cord away from traffic areas, and do not submerge it in water.  
We do not recommend the use of an extension cord, as it may overheat and become a fire risk. If you must use an extension cord, use a No.0.75mm<sup>2</sup> minimum size and rated no less than 16A/250V and with a plug.  
**WARNING:** This appliance must be earthed.
- Unplug the ice cube maker before cleaning or making any repairs or servicing.
- Exercise caution and with reasonable supervision when appliance is used near children.
- Do not use your ice cube maker outdoors. Place the ice cube maker away from direct sunlight and make sure that there is at least 6 inches of clearance between the back of your unit and wall. Keep a minimum distance of 6 inches on each side of your unit free of obstruction.
- Do not use other liquids to make the ice cubes other than water.
- Do not clean your ice cube maker with flammable fluids. The fumes can create a fire hazard or explosion.
- Do not tip over the appliance. To avoid a hazard due to instability of the appliance, it must be placed at an even or flat surface.
- If the ice cube maker is brought in from the outside in winter time, give it a few hours to warm up to room temperature before plugging it in.
- Children should be supervised to ensure that they do not play with the appliance.
- This appliance must be earthed.
- Do not store explosive substances such as aerosol cans with a flammable propellant in this appliance.

- This appliance is intended to be used in household and similar applications such as
  - staff kitchen areas in shops, offices and other working environments;
  - farm houses and by clients in hotels, motels and other residential type environments;
  - bed and breakfast type environments;
  - catering and similar non-retail applications.



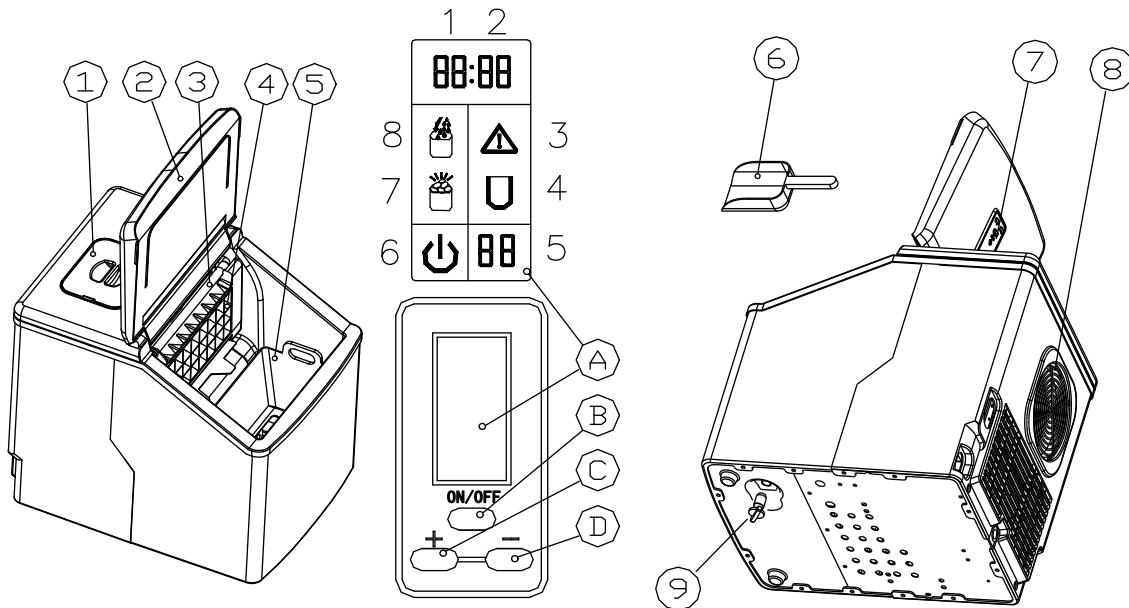
- **Warning: Risk of fire/flammable materials used.** Please dispose according to local regulations regarding disposal of the appliance for its flammable gas.
- **WARNING:** Keep ventilation openings, in the appliance enclosure or in the built-in structure, clear of obstruction.
- **WARNING:** Do not damage the refrigerant circuit.
- **WARNING:** Do not use mechanical devices or other means to accelerate the defrosting process or ice harvesting process, other than those recommended by the manufacturer.
- **WARNING:** Do not use other type of electrical appliances inside the ice cube maker.

**IMPORTANT:**

The wires in this mains lead are coloured in accordance with the following code:

Green and yellow:	Grounding
Blue:	Neutral
Brown:	Live

## GETTING TO KNOW YOUR UNIT



1. Water reservoir cover
2. Unit up cover
3. Water separator pipe
4. Evaporator
5. Ice basket
6. Ice scoop
7. Control panel: Touch function display
  - a. LCD display indicators
    1. Ambient temperature
    2. Ice cube making countdown timer
    3. Error code: Blinking light indicates temperature sensor is broken. A constant light indicates unusual ice making process.
    4. Ice cube making process: Blinking light indicates ice is dropping out. A constant light indicates machine is still making ice.
    5. Ice cube making time settings: 0 indicates normal making time; 1 indicates longer than normal making time by 1 minute, -1 indicates shorter than normal making time by 1 minute, and so on.
    6. ON/OFF display, if the unit has been turned off, this symbol will flash. If the unit is turned on, this symbol will always be on display.
    7. Ice full display. This means that the ice basket is full of ice cubes.
    8. No water displays. This means that there is no water in the unit and time to refill the water.
  - b. ON/OFF button: To start or stop the unit. While the machine is on, press this button for more than 5 seconds to manually force the ice cubes to drop out.
  - c. Press "+": Use this to adjust the ice cube making process duration. Increase one minute at a time. The maximum increase is six minutes.
  - d. Press "-": Use this to adjust the delay time of the timer, Reduce one minute at a time. The maximum reduction is six minutes.
8. Hot air outlet
9. Water drain port: To drain water from unit.

## ***OPERATING PROCEDURES AND MAINTENANCE***

1. This unit should be properly grounded for your safety. The power cord of this appliance is equipped with a three-prong plug that fits into a standard three-prong wall outlet to minimize the possibility of electric shock.
  2. Plug your appliance into an exclusive, properly installed, grounded wall outlet. Do not under any circumstances, cut or remove the third (ground) prong from the power cord. Any questions concerning power and/or grounding should be directed toward a certified electrician.
  3. This appliance requires a standard 220-240volt, 50Hz electrical wall outlet with three-prong ground.
- 
1. Remove the exterior and interior packaging. Check that the ice basket and ice scoop is included. If any parts are missing, please contact our customer service.
  2. Clean the interior with lukewarm water and a soft cloth. Take out the ice basket and clean it.
  3. Find a location for your ice cube maker that is protected from direct sunlight and other sources of heat (i.e. stove, furnace or radiator). Place the ice cube maker on a level surface. Make sure that there is at least 6 inches of clearance between the back and sides of your ice maker and the wall.
  4. Allow one hour for the refrigerant fluid to settle before plugging in the ice cube maker.
  5. The appliance must be positioned so that the plug is accessible.

**WARNING: Fill with portable water only.**



**\* Improper use of the grounded plug can result in the risk of electrical shock. If the power cord is damaged, please call our customer service.**

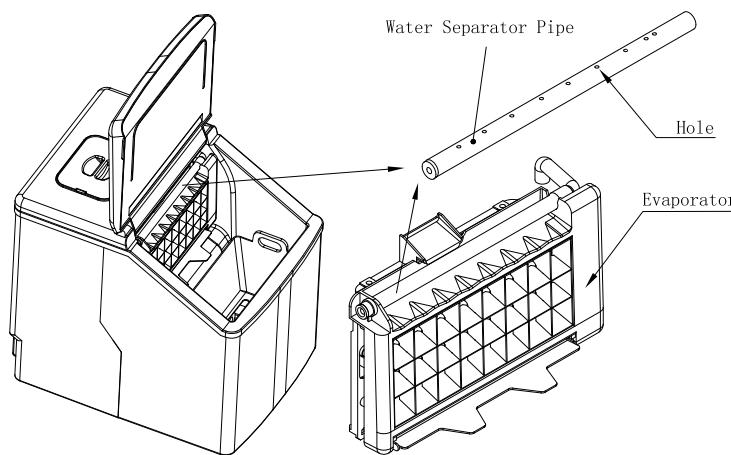
**Before using your ice cube maker, it is strongly recommended to clean it thoroughly.**

1. Take out the ice basket.
2. Clean the interior with a diluted detergent, warm water and a soft cloth.
3. Then use the water to rinse the inside parts and drain out the water from the draining port by unplugging the drain cap on the back.
4. The outside of the ice cube maker should be cleaned regularly with a mild detergent solution and warm water.
5. Dry the interior and exterior with a soft cloth.
6. When the machine is not in use for a long time, open the water drain cap to drain water completely out from the water reservoir.

**After using your ice cube maker for a long time, we suggest that you should clean your unit.**

The water separator pipe and the water filters must be cleaned periodically.

1. If the water separator pipe is blocked and there is no water flowing down even though the compressor and water pump inside are still working, please turn off the unit, disassemble the down pipe and clean it. Clean each hole on the pipe wall as shown in the drawing. After cleaning, re-install the water separator pipe and ensure that the right terminal of the pipe connects to the silicone pipe well as per its original attachment.



2. For the water tank and large water reservoir, clean them with diluted detergent, warm water and a soft cloth. Then use the water to rinse the inside and drain out the water from the draining port by unplugging the drain cap on the back. This will help to keep the unit hygienically clean and ensure proper functioning.
3. If you find ice cubes left in the evaporator while cleaning and they cannot be removed easily, turn on the unit to enter into the ice making process, then press the “ON/OFF” button for more than 5 seconds to let the unit start the ice harvesting process to melt the ice cubes. This will help to remove the stuck ice cubes.

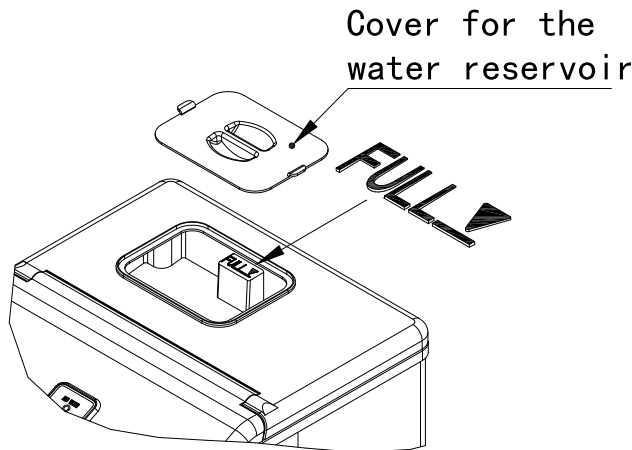
**How to drain out water from the internal tank and large water reservoir completely**

To drain out the water completely, plug in the unit but do not turn it on. Remove the drain port at the back and wait a few minutes for all the water to drain out.




## USING YOUR ICE CUBE MAKER

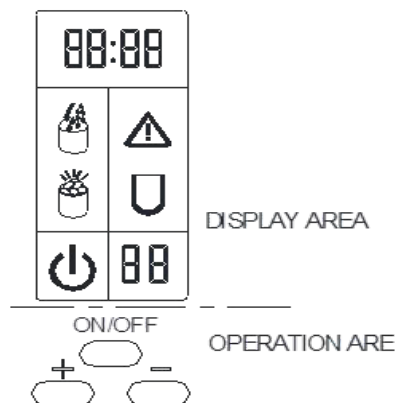
### START MAKING ICE CUBES

1. Remove the cover of the water reservoir and pour potable water into the water reservoir. Be sure to keep the water level below the maximum level at the **FULL** mark displayed in drawing. Replace cover immediately to prevent any foreign matter from contaminating the water.



**Warning: Do not pour water into the internal water tank located underneath the ice basket. This tank is not big enough and will affect the ice cube making performance.**

2. Plug the unit into the wall outlet. Then press the "ON/OFF" button on the control panel to begin the ice cube making cycle.
3. When you plug in the unit to the mains Plug on the main power supply, this power symbol  will flash. Press the "ON/OFF" button and the unit will start making ice cubes. The power symbol  will always be on display and the ice cube making symbol  will also be constantly on.
4. The top of the display will show the ambient temperature and duration of the ice cube making process. The flashing numbers on the right side of the ambient temperature display shows the end of the ice cube making process. The numbers on the lower right of the display is the setting for the ice cube making duration. The default is "0".





**Note:** The ice cube making cycle lasts for about 15 to 25 minutes, depending on the ambient temperature. When making ice cube for the first time, depending on the initial water temperature, ice cube making duration will be a little bit longer. In an extremely hot environment, the ice cube making duration may vary extensively but will not exceed 40 minutes.


5. To adjust thickness of the ice cubes, press “+” or “-“ on the control panel. For thicker ice cubes, press “+” to prolong the processing time. Press once for a minute longer. The maximum time to extend the processing time is 6 minutes. Once machine is restarted, it will reset to 0.


Note: Adjustment is set for new ice cube making process.

User tips: Press “+” and “-“ simultaneously for more than 5 seconds and the LCD panel blue light will come on. It can be used a night light. Press again to turn off the light.

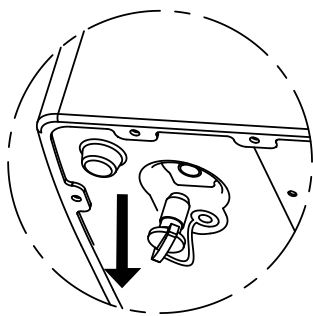
6. Each time when the ice cube making process is finished, the  icon flash. The water in the water tank will

automatically fill up the inner water tank. Throughout this process, the  icon will flash until the water is reaches the maximum water level. After it stops flashing, the machine will continue with the ice cube making

process. When the water tank is out of water, the inner tank cannot be filled and the  icon will stay on and the machine will stop working. After filling water in water tank, restart the machine or wait 20 minutes for an auto restart.

7. The ice cube making process will automatically stop when the ice cube basket is full and the “” symbol will display in the LCD display window.

8. Water Drain: take off the Water draining cap the bottom of unit ,then drain the water inside.It is better that exchange water every 24hours.and clean unit every3days.



## WARNING

- A. Make sure that the water tank, water filter and water separator pipe are not blocked. Clean them regularly.
- B. The water temperature will affect the ice cube making capacity. A lower water temperature will produce more ice cubes.
- C. A cooler ambient temperature will also help to the unit to produce more ice cubes.
- D. Always use good quality water to ensure the pump will work well. Poor quality water will create some pump noise but it will not affect the unit operations.

E. The compressor will restart in three minutes after you have turned off the unit.





**Note:**

Check to ensure that the water filter located at the bottom of large water reservoir and internal water tank are not obstructed by any dirt or foreign matter.

Always fill up water in the large water reservoir to the maximum water level mark.

After moving or shifting the unit, allow the refrigerant liquid inside the compressor to settle for at least 3 minutes before restarting.

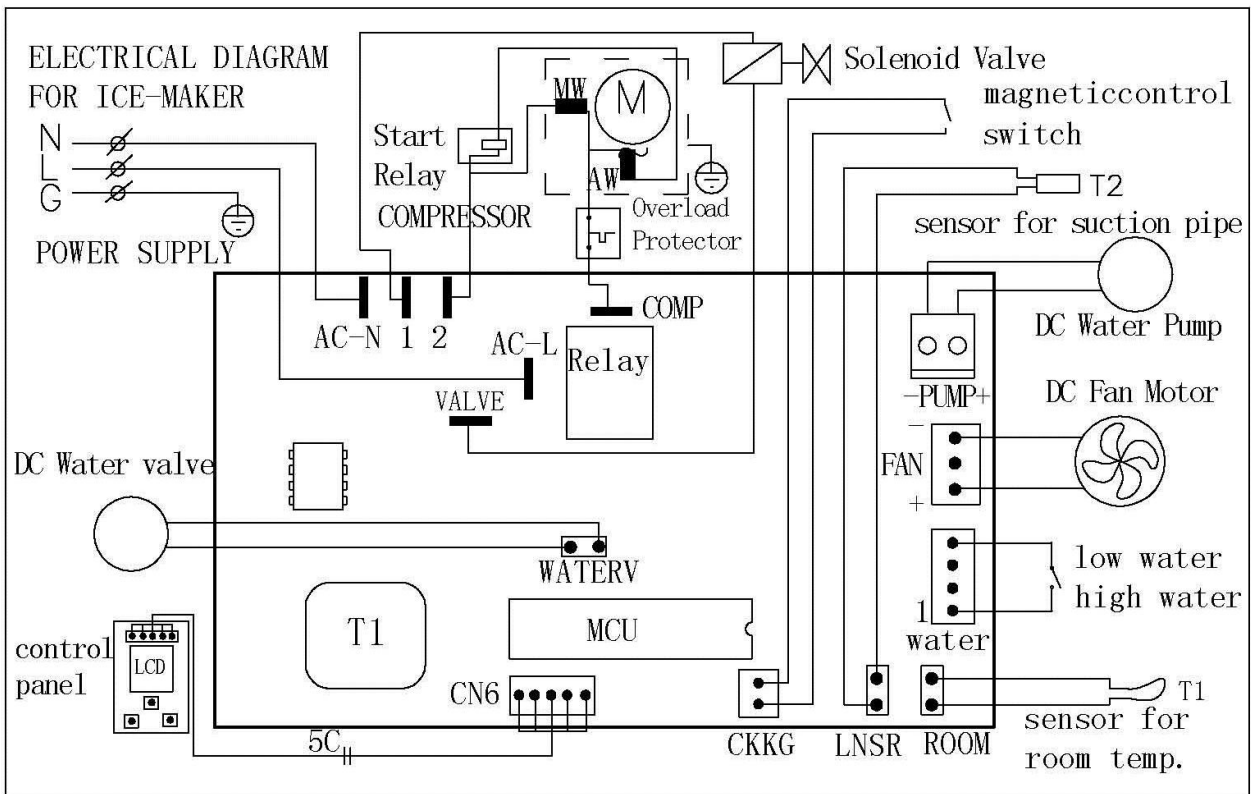
## TROUBLESHOOTING

PROBLEM	POSSIBLE CAUSE	SOLUTION
Symbol “  ” display in LCD display window.	Lack of water.	Stop the ice cube maker, fill in water into the big water reservoir to FULL, then press “ON/OFF” button again to restart the unit.
Symbol “  ” display in the LCD displaying window.	There are too many ice cubes.	Remove the ice cubes from ice cube basket.
The large reservoir water is full but symbol “  ” is still on display.	The inlet solenoid valve is faulty.	Consult repairs.
	The water filter at bottom of the large water reservoir is blocked and the water cannot enter into the lower water tank.	Clean the water filter.
No water flows out from the water separator pipe.	The holes are blocked.	Use a slim wire to pierce each hole until the water can flow out easily.
	Water filter blocked.	Clean the water filter.
No water in the unit, but the symbol “  ” does not display and the unit is not making ice cubes.	The wall of the lower tank underneath the ice cube basket is too dirty.	Clean the lower water tank.
Ice cube is weak and thin.	The ambient temperature is too hot.	Press “+” to extend the ice cube making duration.
Ice cube making cycle is normal but no ice cubes are produced..	Ambient temperature or water temperature in inner tank is too high.	Operate the ice cube maker below 32 °C and pour cooler water into the tank.
	Refrigerant liquid leakage.	Verify by a qualified technician.
	Pipe in the cooling system is blocked.	Verify by a qualified technician.


# SPECIFICATIONS AND CIRCUIT DIAGRAM

## TECHNICAL PARAMETERS

Model	IM-ZB-18F-SS
Protection Type	I
Climate Type	SN/N/ST/T
Power	220-240V/50Hz
Ice Making Current	0.8A
Ice Harvest Current	1.0A
Refrigerant	R600a/35g
Net Weight	10.0Kg
Vesicant	C <sub>5</sub> H <sub>10</sub>
Enclosure	Stainless



## WARRANTY AND DISPOSAL OF PRODUCT

Correct Disposal of this product	
	This marking indicates that this product should not be disposed with other household wastes throughout the EU. To prevent possible harm to the environment or human health from uncontrolled waste disposal, recycle it responsibly to promote the sustainable reuse of material resources. To return your used device, please use the return and collection systems or contact the retailer where the product was purchased. They can take this product for environmental safe recycling.

**Note:** The gas inside the unit is flammable and disposal of this material shall be in accordance with national regulations.

### Warranty Information

- **WARNING:** Keep ventilation openings in the appliance enclosure or in the built-in structure clear of obstruction.
- **WARNING:** Do not damage the refrigerant circuit.

The manufacturer provides warranty in accordance with the legislation of the customer's own country of residence, with a minimum of 1 year (Germany: 2 years), starting from the date on which the appliance is sold to the end user.

The warranty only covers defects in material or workmanship.

The repairs under warranty may only be carried out by an authorized service centre. When making a claim under the warranty, the original bill of purchase (with purchase date) must be submitted.

The warranty will not apply in cases of:

- Normal wear and tear
- Incorrect use, e.g. overloading of the appliance, use of non-approved accessories
- Use of force, damage caused by external influences
- Damage caused by non-observance of the user manual, e.g. connection to an unsuitable mains supply or non-compliance with the installation instructions
- Partially or completely dismantled appliances